

45966T 洗衣机地漏

安装之前

所有的资料是按最新发布的产品资料编写而成。科勒公司保留任何时候不经通知即可改变产品特性、包装或产品可供类型的权利。

说明书包括重要的安装、保养及清洁方面的内容，请把这些资料交给用户阅读。

注意事项：

1. 遵守当地管路安装条例。
2. 根据安装尺寸，预留地下排水管。

BEFORE YOU BEGIN

All information is based on the latest product information available at the time of publication. Kohler Co. reserves the right to make changes in product characteristics, packaging, or availability at any time without notice.

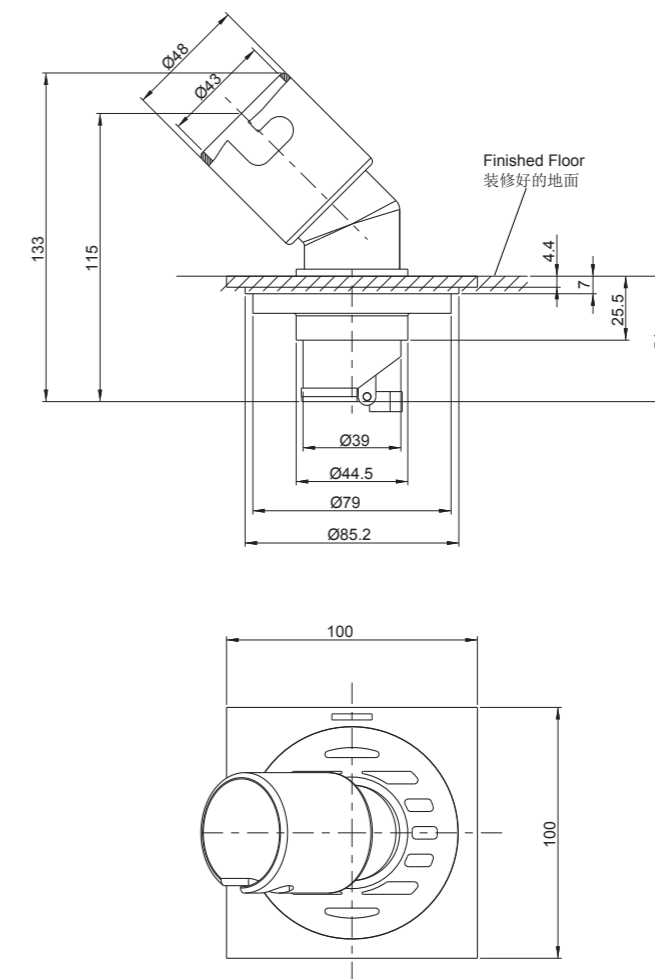
Please leave these instructions for the consumer. They contain important information.

NOTES:

1. Observe all local plumbing codes.
2. According to rough-in dimensions, drainpipe should be prearranged in the floor.

安装尺寸

ROUGH-IN DIMENSIONS



安装步骤

为确保排水顺利，此地漏安装位置必须是整个装修好的地面的最低点。

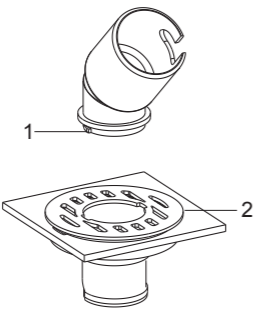
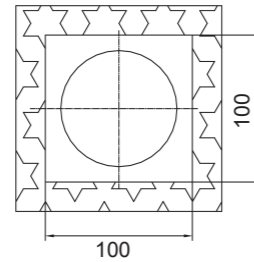
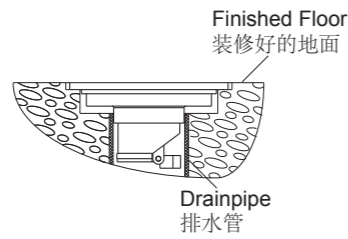
根据排水管的直径和预计装修好地面的高度，决定排水管的预留高度。

按照确定的安装高度，找正，安装地漏。用水泥填充周围空隙。

在地砖上开孔如图所示，将地砖铺装好。

用水泥填充地漏与瓷砖间隙，去除多余水泥。

将弯管装入地漏，并确保弯管底部的凸起(1)对准盖板(2)上的开槽。



INSTALLATION

To drain easily, the mounting position of floor drain must be at the lowest area of the whole finished floor.

Determine the height of prearranged drainpipe according to the diameter of drainpipe and the height of intended finished floor.

Mount the floor drain according to the determined height. Position it. Fill up the interspace around it with cement.

The size of opening on the tile is as the figure shown. Lay the tile.

Fill up the gap between the floor drain and tile with cement. Remove any excess cement.

Insert the tube into the cover, and make sure the bulge align the slot.

清洗说明

适用于所有加工处理过的表面：以中性肥皂水清洗镀层表面，再以干净的软布彻底擦干整个表面，许多清洁剂，比如氨水、去污粉及洁厕灵等，会对电镀表面造成伤害，切忌使用。

有磨损性的清洁用具或清洁剂也不可适用于科勒牌的水龙头及其配件上。

CLEANING INSTRUCTIONS

All Finishes: Clean the finish with mild soap and warm water. Wipe entire surface completely dry with clean soft cloth. Many cleaners may contain chemicals, such as ammonia, chlorine, toilet cleaner etc, which could adversely affect the finish and are not recommended for cleaning.

Do not use abrasive cleaners or solvents on Kohler faucets and fittings.

质量担保

科勒对正常使用下制造和质料上的瑕疵提供长达三年的质量担保，对其后出现的损坏不负任何责任。

注意：担保范围不包括：环境温度低于0°C，外观碰伤，使用或清洗不当以及未按说明书安装的额外损伤；未有列明的修理和零件以及安装费用。

要获得担保服务，请通过您的安装承建者，或写信给科勒中国客户服务中心(请出示销售发票原件作为购货凭证)：

科勒(中国)投资有限公司中央客户服务中心
中国上海市浦东新区金滇路18号E栋
邮编：201206
免费咨询保修电话：8008202628 & 4008202628
网址：www.kohler.com.cn

WARRANTY

Kohler provides three years warranty for its defects of material & workmanship free during normal use from the date of the product is purchased.

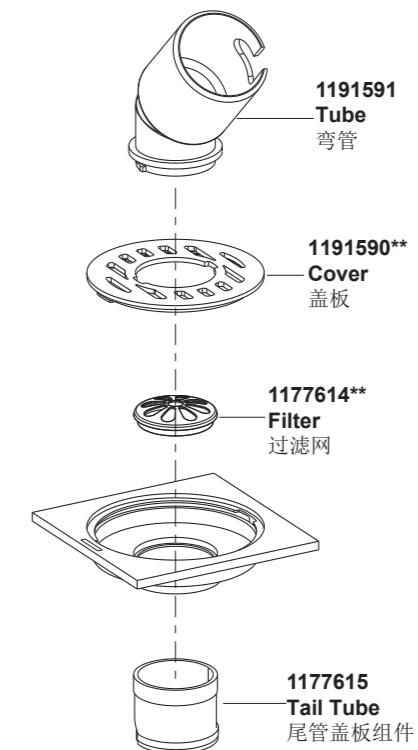
NOTES: This warranty does not cover problems arising from environment temperature below 0°C, surface damage, improper use, care or improper cleaning. Kohler is not responsible for labor charges, installation, or other incidental or consequential costs.

To obtain warranty service, please contact your distributor, plumbing contractor or write to the following Kohler Customer Service Center (Please provide all pertinent information regarding your claim, including the original invoice, a complete description of the problem ect.):

Central Customer Service Center, Kohler China Investment Co., LTD.
Building E, 18 Jindian Road, Pudong New Area, Shanghai, PRC
Post Code: 201206
Toll-free service call: 8008202628 & 4008202628
Website: www.kohler.com.cn

零件图

SERVICE PARTS



**订购时请说明颜色编号

**Color code must be specified when ordering