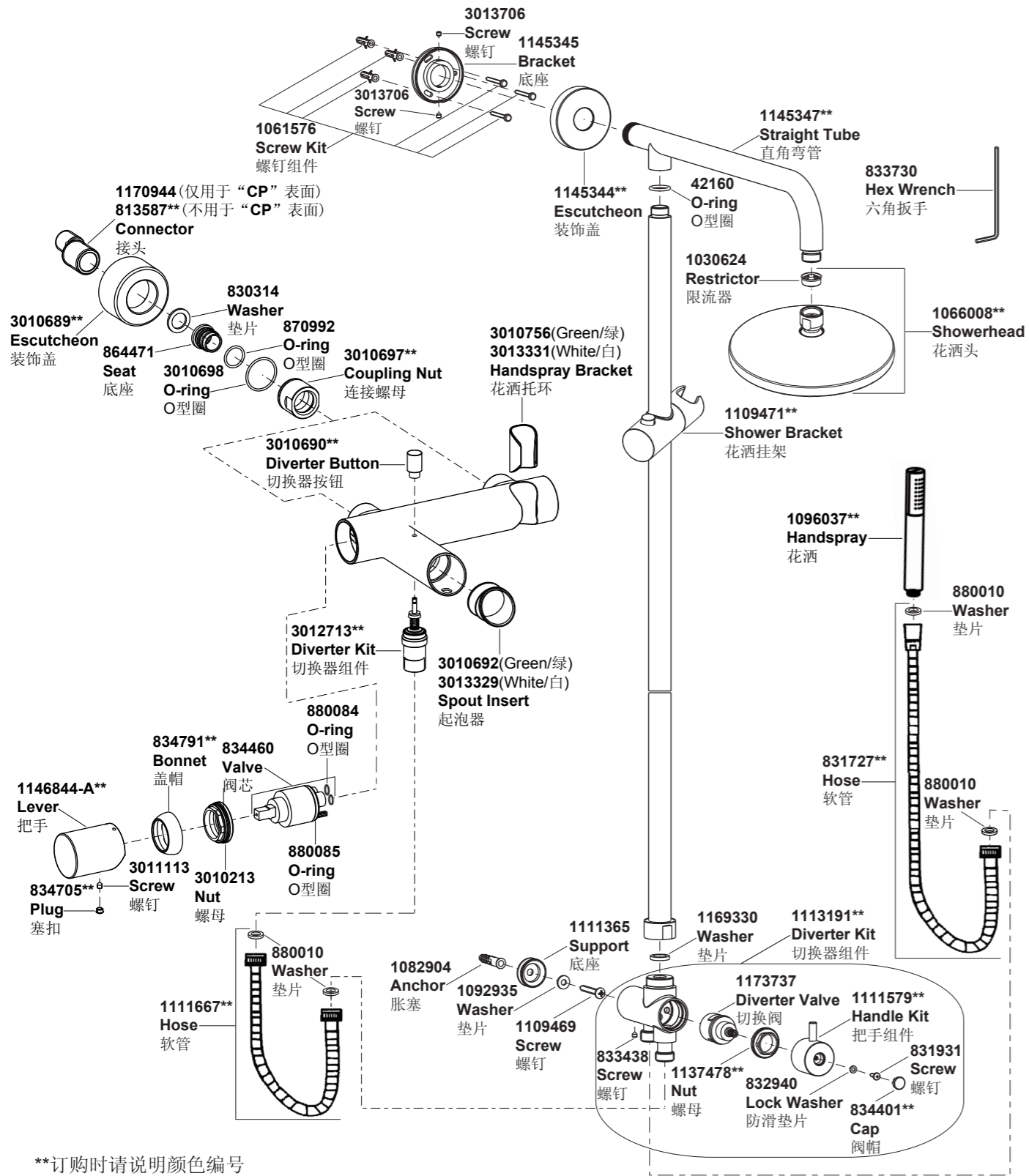


9243T-9 浴缸双花洒淋浴柱



**订购时请说明颜色编号
**Color code must be specified when ordering

9243T-9 浴缸双花洒淋浴柱

安装之前

所有的资料是按最新出版的产品资料编写而成。科勒公司保留任何时候不经通知即可改变产品特性、包装或产品可供类型的权利。

说明书包括重要的安装、保养及清洁方面的内容，请把这些资料交给用户阅读。

注意事项：

1. 切断供水管路。
2. 检查供水管路有无损坏。如需要，进行替换。
3. 遵守当地管路安装条例。
4. 推荐最小工作压力2bar(0.2MPa)。
5. 花洒最高工作压力：0.5MPa(5bar)。水压超过0.5MPa(5bar)须安装减压阀。花洒最高工作温度及环境温度：60°C。请特别注意花洒同花洒连接的臂管须远离浴霸，否则可能损坏花洒及其密封件，甚至对使用者造成伤害。

BEFORE YOU BEGIN

All information is based on the latest product information available at the time of publication. Kohler Co. reserves the right to make changes in product characteristics, packaging, or availability at any time without notice.

Please leave these instructions for the consumer. They contain important information.

NOTES:

1. Shut off the water supplies to the fitting.
2. Inspect the supply tubing for damage. Replace as necessary.
3. Observe local plumbing codes.
4. Recommended minimum working pressures is 2bar (0.2MPa).
5. The highest working pressure for showerhead is 0.5 MPa(5 bar). If it exceeds 0.5MPa(5 bar), a pressure reducer is needed. The highest water and environment temperature is 60°C. Please keep handspray, shower head and the shower arm away from heater, or it may become damaged and cause injury to the user.

使用说明

下按把手，逆时针旋转为热水，顺时针旋转为冷水，浴缸出水口出水；将切换器轻轻提起，顺时针旋转切换器，花洒出水；关闭龙头，逆时针旋转切换器到停止位置。

淋浴柱的切换把手竖直向上，手持花洒出水；竖直向下，头部花洒出水；处于上下之间任一位置时，头部花洒和手持花洒同时出水。

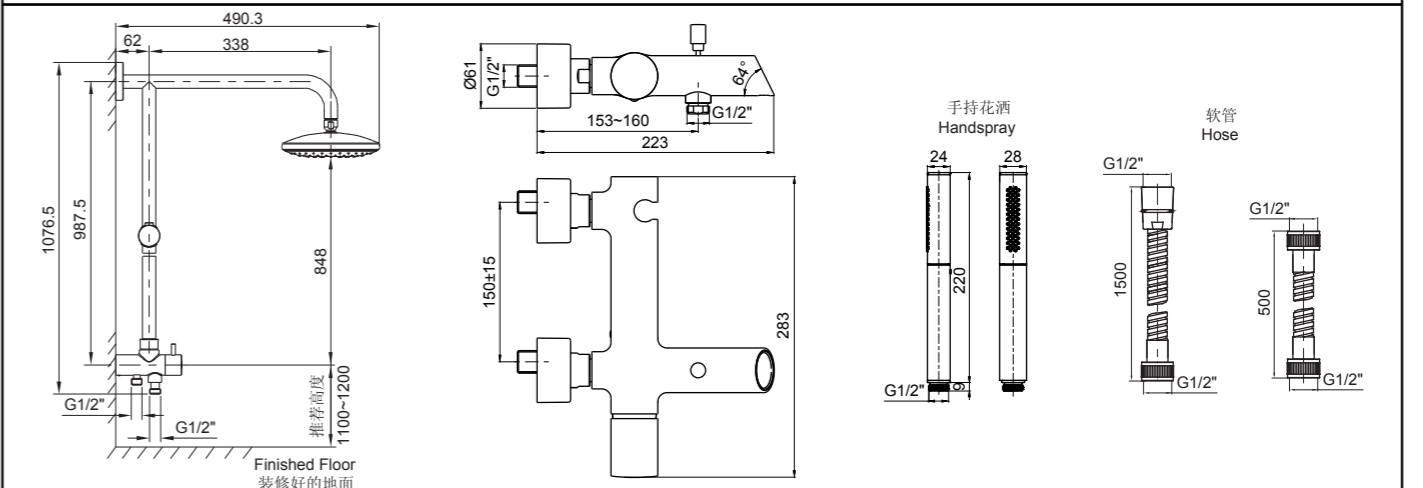
HANDLE OPERATION

Push the handle down, turn clockwise for cold water, counter-clockwise for hot water, bath spout works; lift the diverter gently, turns clockwise for shower; shut off the faucet, turns counter-clockwise until it stops.

Turn the diverter handle to the vertical upwards, the handspray will work; turn it to the vertical downwards, the showerhead will work; turn it to the position between the vertical upwards and the vertical downwards, both the showerhead and the handspray will work.

安装尺寸

ROUGH-IN DIMENSIONS



安装步骤

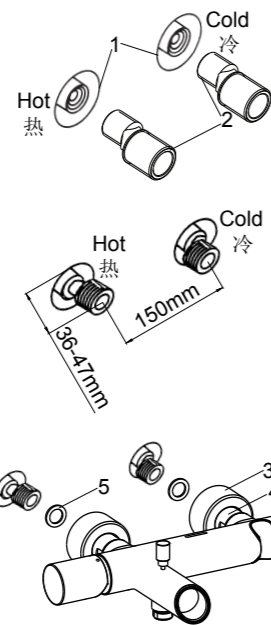
如何安装水龙头

为使安装顺利，G1/2"内螺纹管道配件(1)应已装好。预留150mm的间距，且保持水平。管道配件要垂直并不能凸出装修好的墙面。热供水管装在左边。

在两个接头(2)涂上螺纹密封胶或缠绕足以密封的密封胶带，旋入冷热水管中。

调节两个接头，使其中心距离为150mm并保持同一水平。它们凸出墙面的尺寸应该在36到47毫米之间。

将装饰盖(3)套入水龙头螺母(4)。将垫片(5)放入水龙头螺母中，将螺母旋到接头上。用带状扳手或用软布垫在普通扳手和螺母之间，锁紧螺母。将装饰盖后推至与墙面接触。



INSTALLATION

How To Install The Faucet

To perform installation, installer must provide G1/2" female supply fittings(1), spaced 150mm apart and level. The supply fittings should be vertical and not beyond the finished wall. Hot supply pipe must be located on the left.

Install the two offset connectors(2) into the hot and cold supply pipes. Use appropriate thread sealants or thread tape on pipe threads.

Adjust the center-to-center distance between the connectors to 150mm and level. They should extend 36 to 47mm beyond the finished wall.

Slide the escutcheons(3) onto the nuts(4). Put the washers(5) into the nuts, thread the nuts to connectors. Tighten the nuts with strap wrench or soft cloth between product and regular wrench. Push the escutcheon against the finished wall.

如何安装淋浴柱

根据安装尺寸，在垂直面的墙壁选一合适的位置来安装淋浴柱。

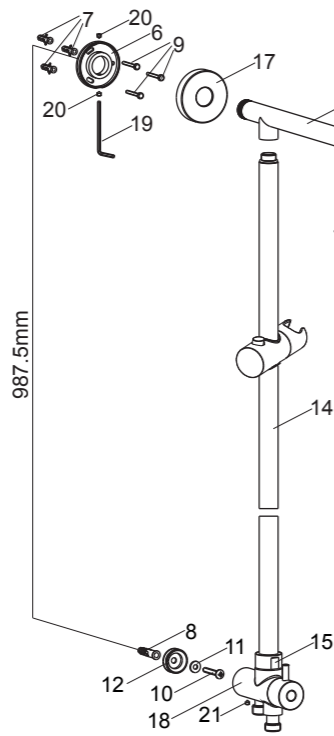
将底座(6)紧贴墙面放置，确保两螺钉孔铅垂，用铅笔标记托架中心点及胀塞(7)安装孔位置；标记竖直向下距中心点987.5mm的位置。根据胀塞(7, 8)直径钻孔。

将胀塞(7, 8)塞入孔中，用自攻钉(9)固定底座(6)，用自攻钉(10)带垫片(11)固定底座(12)。

将弯管(13)旋紧到滑杆组件(14)上。用带状扳手或用软布垫在普通扳手和螺母(15)之间，旋松螺母，调节弯管使其出水口(16)朝向正前方，锁紧螺母固定弯管。

将装饰盖(17)套入弯管，将弯管和切换阀体(18)同时套入底座。若不能同时套入，可适当调节两底座的高度。

用六角扳手(19)锁紧螺钉(20, 21)。将装饰盖后推与墙面接触。



How To Install The Shower Column

Select a location in vertical wall to install shower column according to rough-in dimensions.

Place the bracket(6) against the wall. Ensure two screw holes vertical. Mark the center point and anchor(7) holes, and mark the position vertically downward 987.5mm from the center point. Drill holes in the finished wall as anchors(7, 8) diameter.

Press the anchors(7, 8) into the holes. Secure the bracket(6) with the self-tapping screws(9). Secure the bracket(12) by the self-tapping screw (10) with the washer(11).

Tighten the tube(13) to the slide bar kit (14). Loosen the nut with strap wrench or soft cloth between the nut(15) and regular wrench. Adjust to make sure the tube outlet(16) faces the front. Tighten the nut to secure the tube.

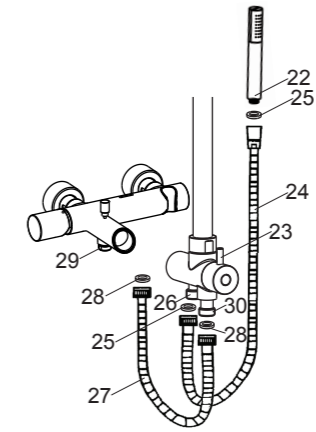
Slide the escutcheon(17) onto the tube. Install the tube and diverter body(18) to the brackets. Adjust two brackets if needed.

Tighten the screws(20, 21) with the hex wrench(19). Push the escutcheon against the finished wall.

如何安装手持花洒和软管

装手持花洒(22)之前，使切换手柄(23)处于竖直向上位置，打开水源冲掉杂质。

用软管(24)带垫片(25)连接手持花洒与接头(26)。用软管(27)带垫片(28)连接龙头出水口(29)与接头(30)。



How To Install The Handspray And The Hose

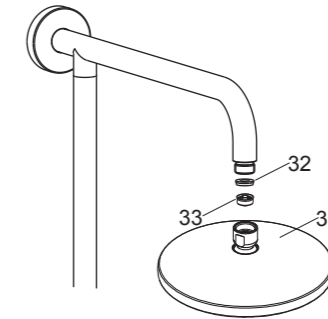
Turn the diverter handle(23) to the vertical upwards and run hot and cold water for one minute to remove any debris before the handspray(22) is installed.

Connect the hose(24) to the handspray, and to the connector(26) with the washers(25). Connect the hose(27) to the faucet outlet(29), and to the connector(30) with the washers(28).

如何安装花洒头

装花洒头(31)之前使切换手柄处于竖直向下位置，打开水源冲掉杂质。

取出垫片(32)，按图示方向放入限流器(33)，将花洒头旋到弯管出水口上，用带状扳手锁紧。



How To Install The Showerhead

Turn the diverter handle to the vertical downwards and run hot and cold water for one minute to remove any debris before the showerhead(31) is installed.

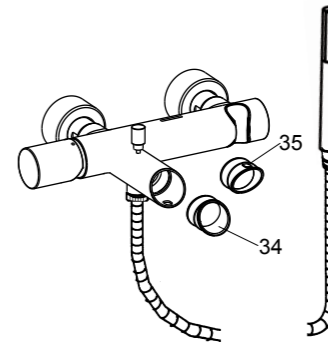
Take out the washer(32) and install the restrictor(33) as the figure shown. Tighten the showerhead onto the tube outlet with strap wrench.

安装结果检查

检查并确保所有的衔接处都已拧紧，确保手柄在关的位置。

打开排水系统和主要供水源，检查并修理有漏水的接口。

将花洒拆下，按下出水口下方起泡器(34)的凸起(35)，将起泡器拆下，打开水龙头，让水流约一分钟以清除杂质。检查渗漏，冲洗起泡器，关闭水龙头，重新装回花洒和起泡器。



INSTALLATION CHECKOUT

Ensure that all connections are tight. Ensure that the handle is in the off position.

Turn on the drain and main water supply, and check for leaks. Repair as needed.

Remove the handspray. Press the bulge(35) of the aerator(34) on the underside of the spout. Remove the aerator. Turn on the faucet. Run the water through the spout for about one minute to remove any debris. Check for leaks. Remove any debris from the aerator. Shut off the faucet. Reinstall the handspray and aerator.

清洗说明

适用于所有加工处理过的表面：以中性肥皂水清洗镀层表面，再以干净的软布彻底擦干整个表面，许多清洁剂，比如氨水、去污粉及洁厕灵等，会对电镀表面造成伤害，切忌使用。

有磨损性的清洁用具或清洁剂也不可适用于科勒牌的水龙头及其配件上。

CLEANING INSTRUCTIONS

All Finishes: Clean the finish with mild soap and warm water. Wipe entire surface completely dry with clean soft cloth. Many cleaners may contain chemicals, such as ammonia, chlorine, toilet cleaner etc. which could adversely affect the finish and are not recommended for cleaning.

Do not use abrasive cleaners or solvents on Kohler faucets and fittings.