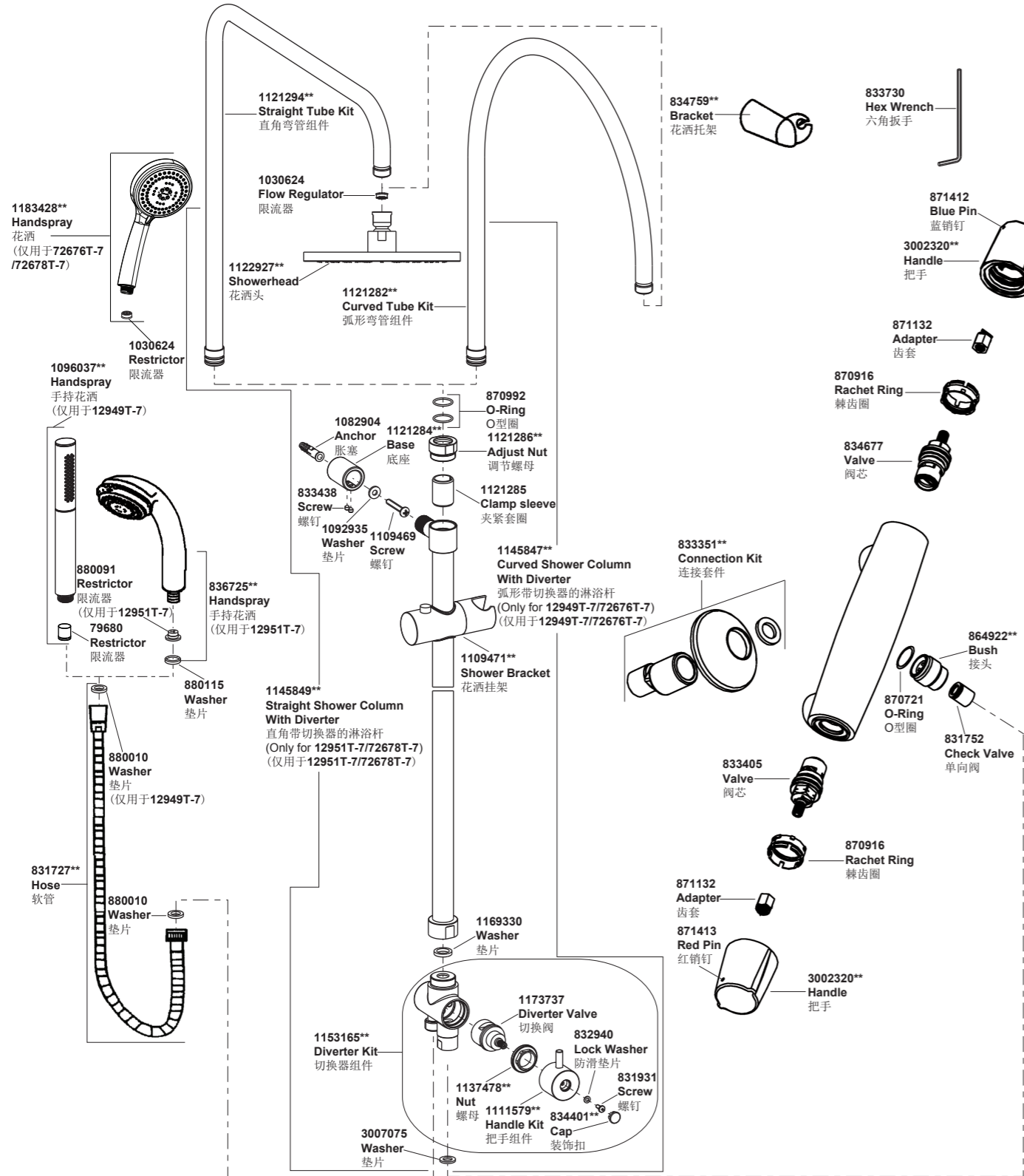


12949T-7 12951T-7 72676T-7 72678T-7 双花洒淋浴柱



\*\*订购时请说明颜色编号  
\*\*Color code must be specified when ordering

12949T-7 12951T-7 72676T-7 72678T-7 双花洒淋浴柱

**安装之前**

所有的资料是按最新发布的产品资料编写而成。科勒公司保留任何时候不经通知即可改变产品特性、包装或产品可供类型的权利。

说明书包括重要的安装、保养及清洁方面的内容，请把这些资料交给用户阅读。

**注意事项：**

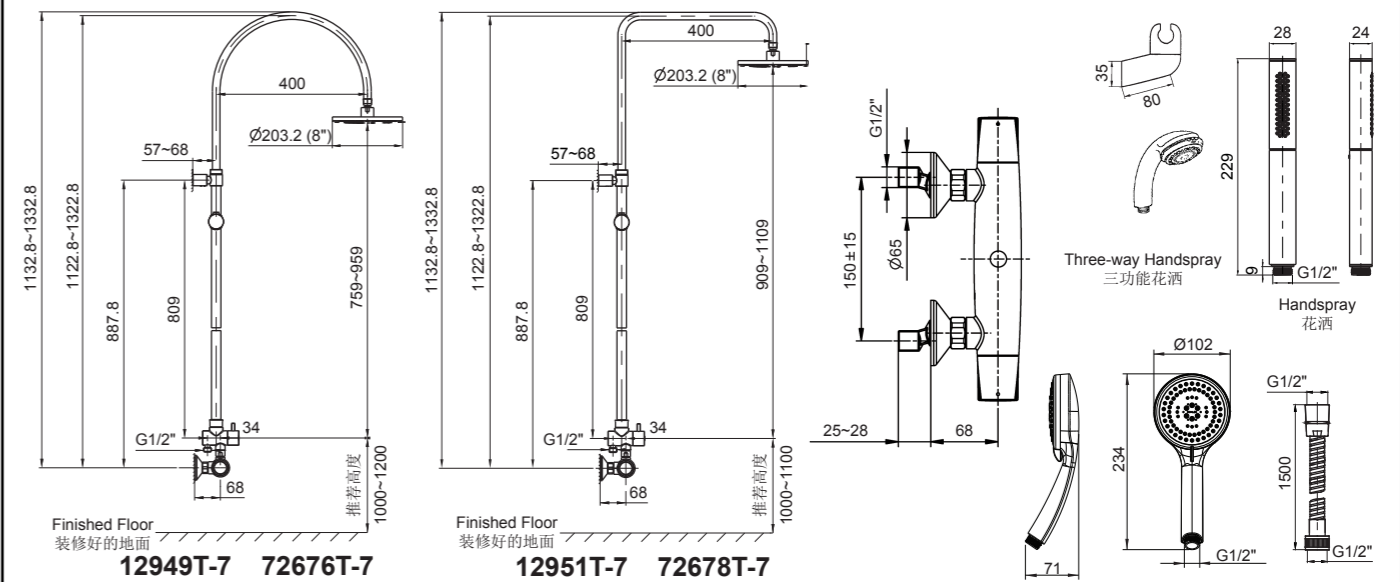
1. 切断供水管路。
2. 检查供水管路有无损坏。如需要，进行替换。
3. 遵守当地管路安装条例。
4. 花洒最高工作压力：0.5MPa(5bar)。水压超过0.5MPa(5bar)须安装减压阀。花洒最高工作温度及环境温度：60°C。请特别注意花洒同花洒连接的臂管须远离加热器，否则可能损坏花洒及其密封件，甚至对使用者造成伤害。

**使用说明**

向下旋转两把手为开，向上旋转两把手为关。

淋浴柱的切换把手竖直向上，手持花洒出水；竖直向下，头部花洒出水；处于上下之间任一位置时，头部花洒和手持花洒同时出水。

**安装尺寸**



**BEFORE YOU BEGIN**

All information is based on the latest product information available at the time of publication. Kohler Co. reserves the right to make changes in product characteristics, packaging, or availability at any time without notice. Please leave these instructions for the consumer. They contain important information.

**NOTES:**

1. Shut off the water supplies to the fitting.
2. Inspect the supply tubing for damage. Replace as necessary.
3. Observe local plumbing codes.
4. The highest working pressure for showerhead & handspray is 0.5 MPa(5 bar). If it exceeds 0.5MPa(5 bar), a pressure reducer is needed. The highest water and environment temperature is 60°C. Please keep handspray, showerhead and shower arm away from heater, or it may become damaged and cause injury to the user.

**OPERATION INSTRUCTIONS**

Both handles open with turning downwards, close with turning upwards.

Turn the diverter handle to the vertical upwards, water will flow from the handspray; turn it to the vertical downwards, the showerhead will work; turn it to the position between the vertical upwards and the vertical downwards, water will flow the showerhead and the handspray.

**ROUGH-IN DIMENSIONS**

## 安装步骤

### 如何安装水龙头

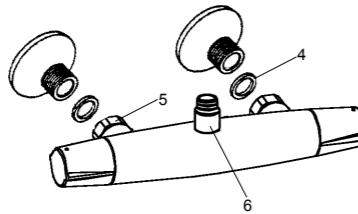
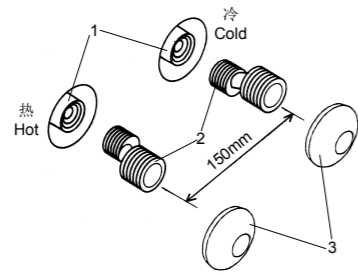
为使安装顺利，G1/2"内螺纹管道配件(1)应已安装好。预留150mm的间距，保持水平。管道配件要垂直并不能凸出装修好的墙面。热供水管装在左边。

彻底冲洗供水管，以清除管路中的杂质。

在两个接头(2)涂上螺纹密封胶或缠绕足以密封的密封胶带，旋入冷热水管中。

调节两个接头，使其中心距离为150mm并保持同一水平。将装饰盖(3)旋入接头，紧贴墙壁。

将垫片(4)放入水龙头螺母(5)中。保持花洒龙头出水口(6)朝上，将螺母旋到接头上。用带状扳手或用软布垫在普通扳手和螺母之间，锁紧螺母。



## INSTALLATION

### How To Install The Faucet

To perform installation, installer must provide G1/2" female supply fittings(1), spaced 150mm apart and level. The supply fittings should be vertical and not beyond the finished wall. Hot supply pipe must be located on the left.

Flush the water supply pipes thoroughly to remove debris.

Install the two offset connectors(2) into the hot and cold supply pipes. Use appropriate thread sealants or thread tape on pipe threads.

Adjust the center-to-center distance between the connectors to 150mm and level. Thread the escutcheons(3) onto the connectors until they are against the finished wall.

Put the washers(4) into the nuts(5). Keeping the shower faucet outlet(6) upwards, thread the nuts to connectors. Tighten the nuts with strap wrench or soft cloth between product and regular wrench.

### 如何安装淋浴杆

试装滑杆组件(7)以确定胀塞(8)安装位置。将底座(9)套在连接件(10)上，连接件伸入底座26mm。用六角扳手(11)将螺钉(12)装入底座，并锁紧。

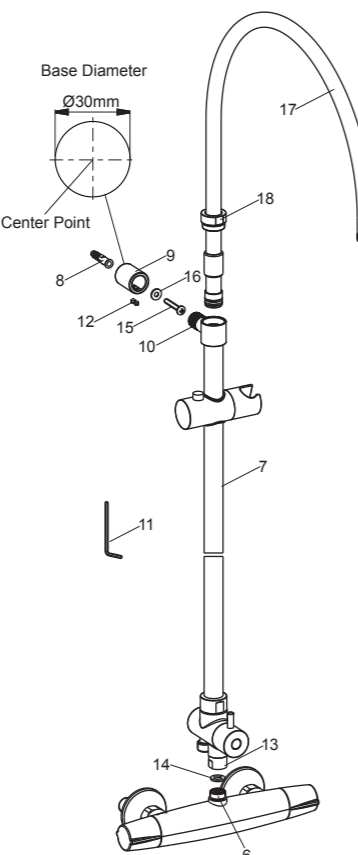
用手将螺母(13)带垫片(14)旋紧到龙头出水口(6)。将底座紧贴墙壁放置。用铅笔标记底座直径。旋松螺母，取下垫片，拆下滑杆组件，用六角扳手旋松螺钉(12)(注意：切勿弄丢螺钉。)，拆下底座。用铅笔标记底座直径中心点位置。

根据胀塞直径，在中心点位置钻孔。将胀塞塞入孔中，用自攻钉(15)带垫片(16)固定底座，确保底座的两个螺钉孔铅垂向下。

取下弯管组件(17)上的保护套并扔掉，将弯管组件装入滑杆组件。用软布垫在螺母(18)的里孔和弯管组件之间，将螺母套入弯管组件。然后用带状扳手或用软布垫在普通扳手和螺母之间，将螺母旋紧到滑杆组件上。

用手将螺母(13)带垫片(14)旋到龙头出水口(6)上。将连接件装入底座。用带状扳手或用软布垫在普通扳手和螺母之间，锁紧螺母。

用六角扳手将螺钉(12)锁紧。



### How To Install The Slide Bar

Rehearse the slide bar kit(7) installation for the anchor(8) mounting location determination. Slide the base(9) onto the connector(10) that insert into the base about 26mm. Screw the screws(12) into the base with the hex wrench(11), and tighten them.

Tighten the nut(13) with the washer(14) onto the faucet outlet(6) by hand. Place the base against the finished wall. Mark the diameter of the base with a pencil. Loosen the nut by hand, remove the washer, remove the slide bar kit. Loosen the screws(12) with the hex wrench (NOTE: Don't lose the screws.), remove the base. Mark the center point of the base diameter with a pencil.

Drill a hole on the center point as anchor diameter. Press the anchor into the hole. Secure the base by the self-tapping screw(15) with the washer(16), and make sure two screw holes of the base vertically downwards.

Remove and discard the guard from the tube kit(17), then install it into the slide bar kit. Install the nut(18) onto the tube kit with soft cloth between internal hole of the nut and the tube kit. then screw the nut onto the slide bar kit with strap wrench or soft cloth between the nut and regular wrench.

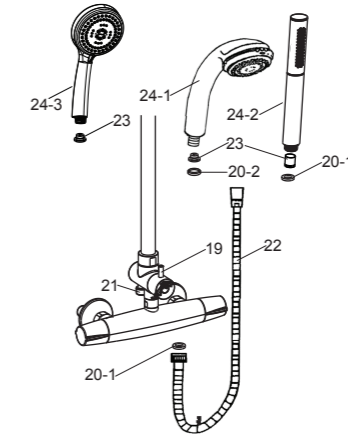
Thread the nut with the washer to the faucet outlet(6) by hand. Install the connector into the base. Tighten the nut with strap wrench or soft cloth between product and regular wrench.

Tighten the screws(12) with the hex wrench.

### 如何安装手持花洒和软管

使切换手柄(19)处于竖直向上位置，打开水源冲掉杂质。

用滤网垫片(20-1)连接接头(21)与1500mm软管(22)。将限流器(23)塞入手持花洒(24)进水口。对于12949T-7, 72676T-7和72678T-7, 用滤网垫片(20-1)连接软管(22)与手持花洒(24-2)或(24-3)。对于12951T-7, 用垫片(20-2, 厚5mm)连接软管(22)与手持花洒(24-1)。



### How To Install The Handspray And The Hose

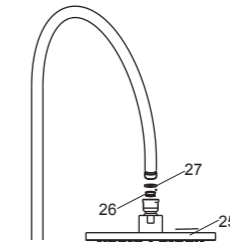
Turn the diverter handle(19) to the vertical upwards and run hot and cold water for one minute to remove any debris.

Tighten 1500mm length hose(22) to the connector(21) with filter washers(20-1). Put the restrictor(23) into the handspray(24) inlet. For 12949T-7, 72676T-7 & 72678T-7, tighten the hose(22) to the handspray(24-2) or (24-3) with filter washer(20-1). For 12951T-7, tighten the hose(22) to the handspray(24-1) with the washer(20-2, thickness 5mm).

### 如何安装花洒头

装花洒头(25)之前使切换手柄(19)处于竖直向下位置，打开水源冲掉管路中的杂质。将花洒头旋到弯管组件出水口上，用带状扳手锁紧。

在装花洒头之前可根据需要安装限流器(26)。先取出垫片(27)，按图示方向放入限流器，再装回垫片。



### How To Install The Showerhead

Turn the diverter handle(19) to the vertical downwards and run hot and cold water for one minute to remove any debris before the showerhead(25) is installed. Tighten the showerhead onto the tube kit outlet with strap wrench.

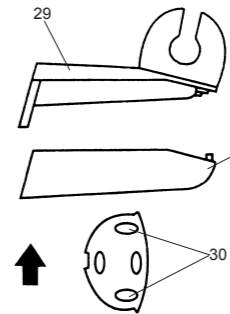
Before installation, install restrictor(27) if needed. Take out washer(28) and install restrictor as the figure shown, reinstall washer.

### 如何安装托架

在垂直面的墙壁，选一个花洒能够着的位置来安装托架。

把托架盖子(28)与底板(29)撬开。在墙壁标记安装托架底板的位置。然后在墙上钻两个孔(30)，以便于安装螺钉及铰钉。旋紧螺钉，固定托架，并使其紧贴墙壁。

用托架盖子盖住底板。把花洒挂在托架上。



### How To Install The Shower Bracket

Select a location in vertical wall within reach of the shower hose to install shower bracket.

Pry between the bracket cover(28) and base(29) to separate the two parts. Mark bracket base mounting hole locations on wall as shown. Drill two holes(30) in the finished wall as required, for the installation screws and anchors. Tighten screws to secure bracket base to the finished wall.

Replace bracket cover onto bracket base. Hang the handspray on the shower bracket.

### 安装结果检查

检查并确保所有的衔接处都已拧紧，确保手柄在关的位置。打开排水系统和主要供水源，检查并修理有漏水的接口。

### 清洗说明

适用于所有加工处理过的表面：以中性肥皂水清洗镀层表面，再以干净的软布彻底擦干整个表面，许多清洁剂，比如氨水、去污粉及洁厕灵等，会对电镀表面造成伤害，切忌使用。

有磨损性的清洁用具或清洁剂也不可适用于科勒牌的水龙头及其配件上。

### INSTALLATION CHECKOUT

Ensure that all connections are tight. Ensure that the handle is in the off position. Turn on the drain and main water supply, and check for leaks. Repair as needed.

### CLEANING INSTRUCTIONS

All Finishes: Clean the finish with mild soap and warm water. Wipe entire surface completely dry with clean soft cloth. Many cleaners may contain chemicals, such as ammonia, chlorine, toilet cleaner etc. which could adversely affect the finish and are not recommended for cleaning.

Do not use abrasive cleaners or solvents on Kohler faucets and fittings.