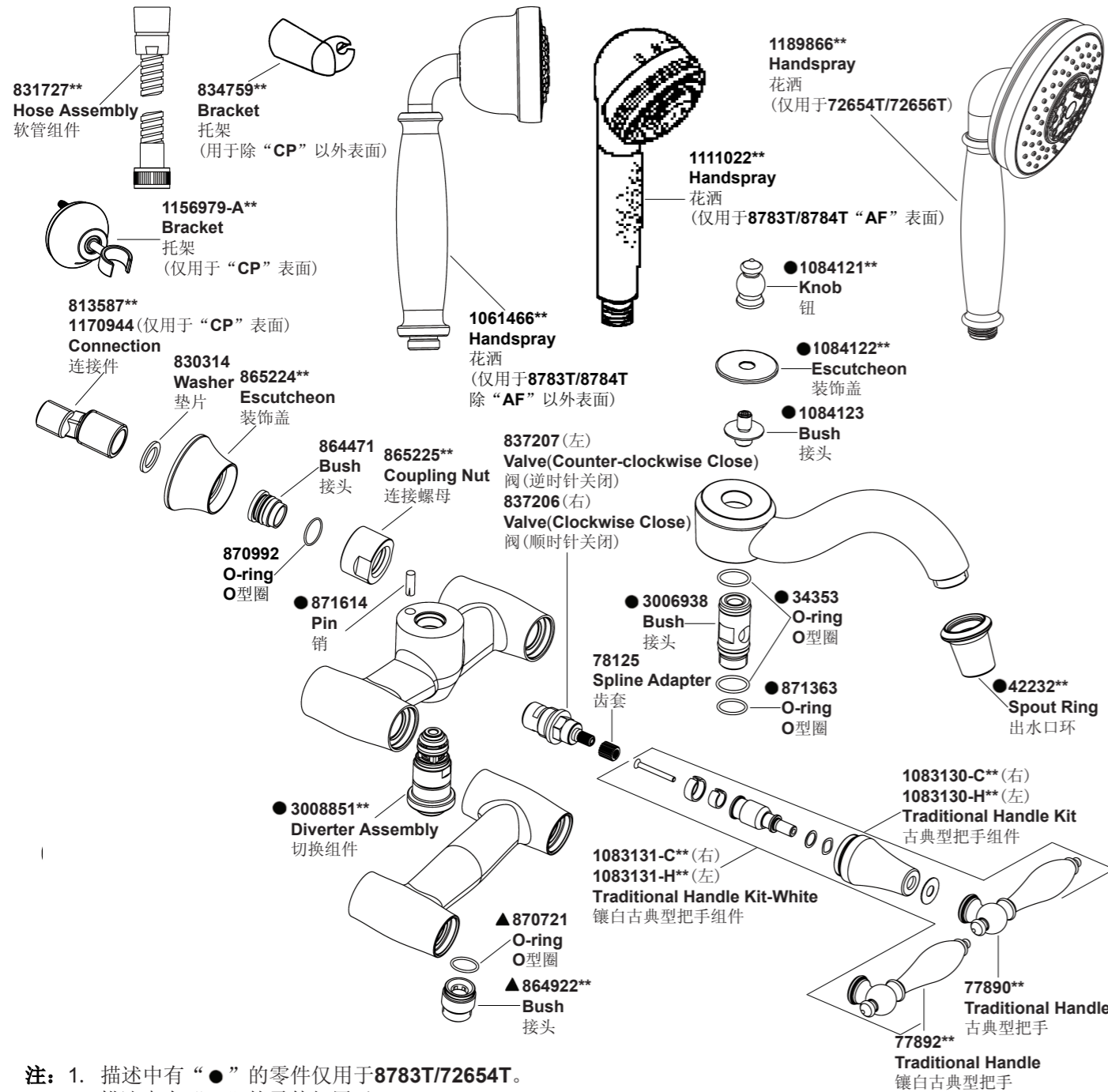


8783T 72654T 挂墙式浴缸花洒龙头
8784T 72656T 挂墙式花洒龙头



注: 1. 描述中有“●”的零件仅用于8783T/72654T。
2. 描述中有“▲”的零件仅用于8784T/72656T。

产品编号	把手	把手组件
8783T/8784T/72654T/72656T-4M	77890**	1083130**
8783T/8784T/72654T/72656T-4P	77892**	1083131**

**订购时请说明颜色编号
**Color code must be specified when ordering

8783T 72654T 挂墙式浴缸花洒龙头
8784T 72656T 挂墙式花洒龙头

安装之前

所有的资料是按最新出版的产品资料编写而成。科勒公司保留任何时候不经通知即可改变产品特性、包装或产品可供类型的权利。

说明书包括重要的安装、保养及清洁方面的内容, 请把这些资料交给用户阅读。

注意事项:

- 一定要先彻底冲洗供水管以清除管道中的杂质。
- 对于浴缸花洒龙头, 切换器正常工作的最小压力为0.05MPa(0.5bar)。
- 花洒最高工作压力: 0.5MPa(5bar)。水压超过0.5MPa(5bar)须安装减压阀。花洒最高工作温度及环境温度: 60°C。请特别注意花洒同花洒连接的臂管须远离浴霸, 否则可能损坏花洒及其密封件, 甚至对使用者造成伤害。

BEFORE YOU BEGIN

All information is based on the latest product information available at the time of publication. Kohler Co. reserves the right to make changes in product characteristics, packaging, or availability at any time without notice. Please leave these instructions for the consumer. They contain important information.

NOTES:

- Flush the water supply pipes thoroughly to remove debris.
- For bath and shower faucet, the minimum inlet water pressure for the diverter is 0.05MPa(0.5bar).
- The highest working pressure for handspray is 0.5MPa(5 bar). If it exceeds 0.5MPa(5 bar), a pressure reducer is needed. The highest water and environment temperature is 60°C. Please keep handspray, showerhead and the shower arm away from heater, or it may become damaged and cause injury to the user.

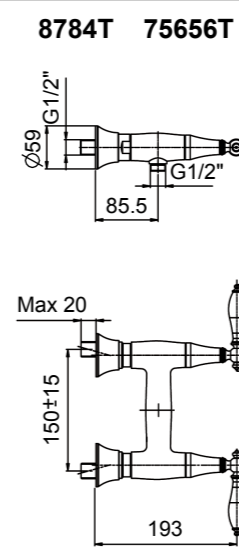
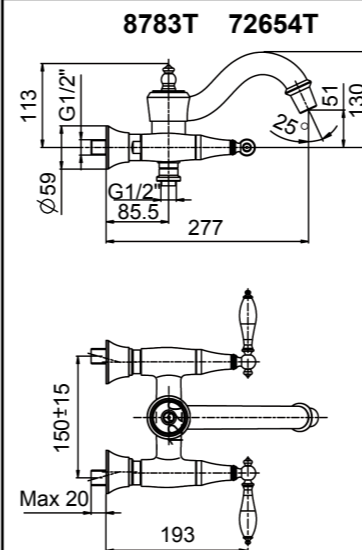
使用说明

逆时针旋转右把手为开, 顺时针旋转左把手为开。

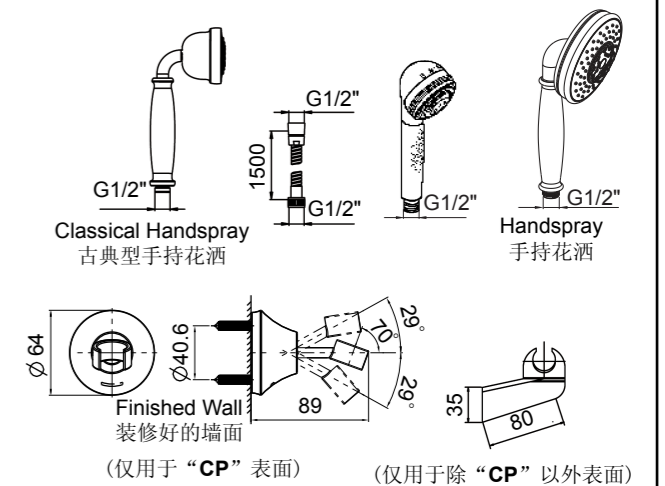
HANDLE OPERATION

Right handle opens with one-quarter turn counter-clockwise. Left handle opens with one-quarter turn clockwise.

安装尺寸



ROUGH-IN DIMENSIONS



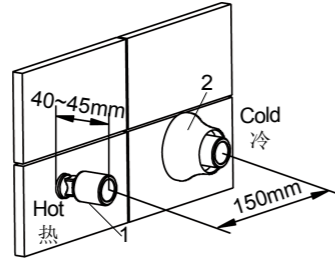
安装说明

如何安装龙头

为使安装顺利，G1/2"内螺纹管道配件应已安装好。预留150mm的间距，保持水平，并垂直墙面，不要凸出墙面。热供水管装在左边。

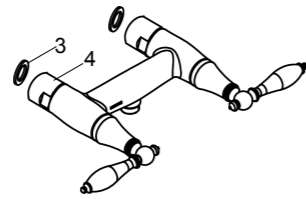
在两个接头(1)涂上螺纹密封胶或缠绕密封胶带，然后旋入冷热供水管中。

调节两个接头，使其中心距离为150mm并保持同一水平。他们凸出墙面的尺寸应该在40到45毫米mm之间。将装饰罩(2)旋入接头，紧贴装修好的墙壁。



将垫片(3)放入螺母(4)中，把螺母旋到接头(1)上。

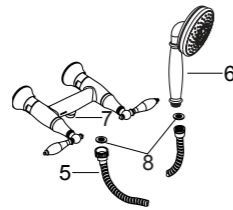
在紧锁螺母时，须用带状扳手或用软布垫在普通扳手和螺母之间，以保护镀层表面。



如何安装花洒

注意：对于8783T/72654T，需要先去掉接头保护套。

用垫片(8)连接软管(5)与出水口(7)、软管与花洒(6)。

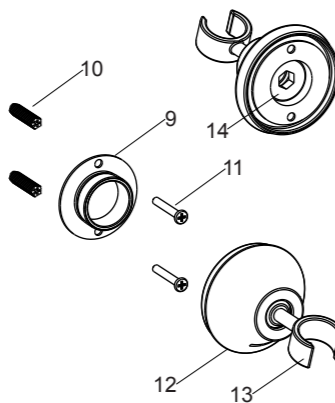


如何安装托架

在墙壁选择一合适的位置来安装托架。

对于“-CP”表面

根据安装尺寸在墙壁上标出底座(9)安装孔位。根据胀塞(10)直径打孔，安装胀塞。旋紧螺钉(11)，固定底座。安装托架(12)之前，检查托架的花洒托环(13)是否松动，如果松动，用9.5mm六角扳手柄紧托架底部的螺母(14)。在托架底面边缘涂一圈油灰或密封胶，将托架旋紧到底座上。去除多余油灰或密封胶。



INSTALLATION

How To Install The Faucet

To perform installation, installer must provide G1/2" female supply fittings, spaced 150mm apart, level, vertical, and not extending beyond finished wall surface. Hot supply pipe must be located on the left.

Install the two offset connectors(1) into the hot and cold supply pipes. Use appropriate thread sealants or thread tape on pipe threads.

Adjust the center-to-center distance between the connectors to 150mm and level. They should extend 40 to 45mm from finished wall. Thread escutcheons (2) onto the connectors until they contact the finished wall.

Put the washers(3) into the nuts(4). Thread the nuts onto the connectors(1).

When tighten the nuts, use strap wrench or soft cloth between product and regular wrench to protect the finish.

How To Install The Handspray

NOTE: For 8783T/72654T, remove the guard on the outlet connector firstly.

Connect hose(5) to the faucet outlet(7), and to the handspray(6) with washers(8).

How To Install The Bracket

Determine a suitable location on the finished wall to install the bracket.

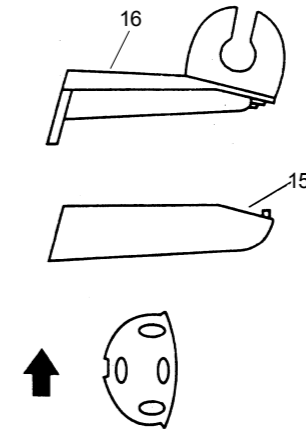
For The Finish With “-CP”

Mark bracket support(9) mounting hole locations on the wall according to the dimension. Drill two holes on the finished wall, the holes should match the anchors (10). Install the anchors. Tighten screws (11) to secure bracket support. Before installing the bracket(12), check if the ring(13) of the bracket loosen. If yes, tighten the nut(14) on the bottom of the bracket with 9.5mm hex wrench. Apply a ring of plumbers putty or sealant around the back surface of the bracket. Screw the bracket onto the bracket support. Remove any excess putty or sealant.

对于其他表面

把托架盖(15)与托架底板(16)撬开。在墙壁标上安装托架底板位置的记号。在墙上钻两个孔，以便于安装胀塞及螺钉。旋紧螺钉，使托架固定贴紧墙壁，用托架盖盖住底板。

把花洒挂在托架上。



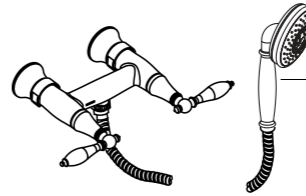
安装结果检查

检查并确保所有的衔接处都已拧紧。

确保手柄在“关”的位置。

打开排水系统和主要供水源，检查并修理有漏水的接口。

取下花洒(6)。打开冷热水，让水流出约一分钟以清除杂质。检查渗漏。关闭水龙头，并装回花洒。



清洗说明

适用于所有加工处理过的表面：以中性肥皂水清洗镀层表面，再以干净的软布彻底擦干整个表面，许多清洁剂，比如氨水、去污粉及洁厕灵等，会对电镀表面造成伤害，切忌使用。

有磨损性的清洁用具或清洁剂也不可适用于科勒牌的水龙头及其配件上。

For The Other Finish

Pry between the bracket cover(15) and bracket base(16) to separate the two parts. Mark bracket base mounting hole locations on wall as shown. Drill two holes in the finished wall as required for the installation rawlplugs and screws. Tighten screws to secure bracket base to the finished wall. Replace bracket cover onto bracket base.

Hang the handspray on the shower bracket.

INSTALLATION CHECKOUT

Ensure that all coupling nuts are tight.

Ensure that the handles are in the off position.

Turn on the main water supply, and check for leaks. Repair as needed.

Remove the handspray(6). Run hot and cold water through the faucet for about one minute to remove any debris. Check for leaks. Shut the faucet off, and reinstall the handspray.

CLEANING INSTRUCTIONS

All Finishes: Clean the finish with mild soap and warm water. Wipe entire surface completely dry with clean soft cloth. Many cleaners may contain chemicals, such as ammonia, chlorine, toilet cleaner etc. which could adversely affect the finish and are not recommended for cleaning.

Do not use abrasive cleaners or solvents on Kohler faucets and fittings.