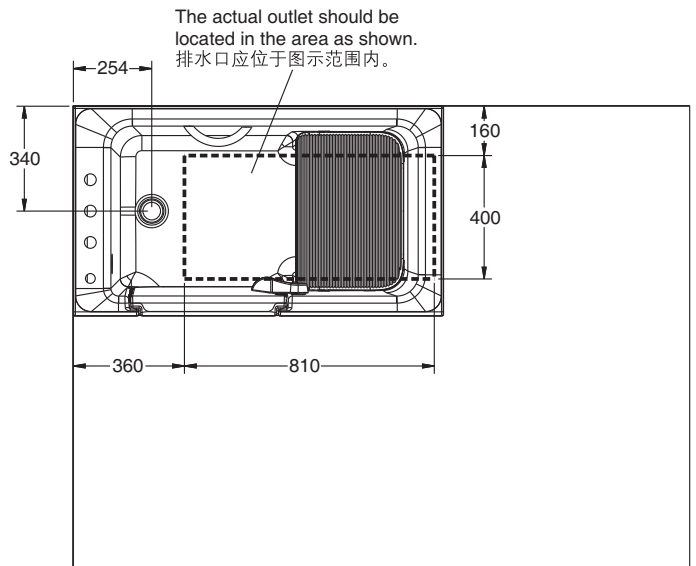
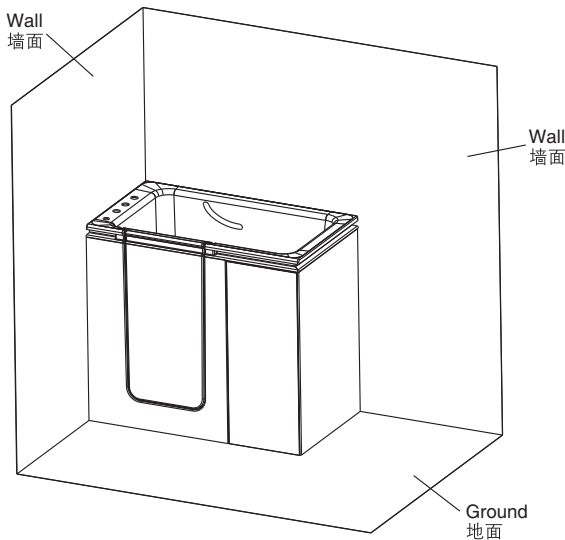
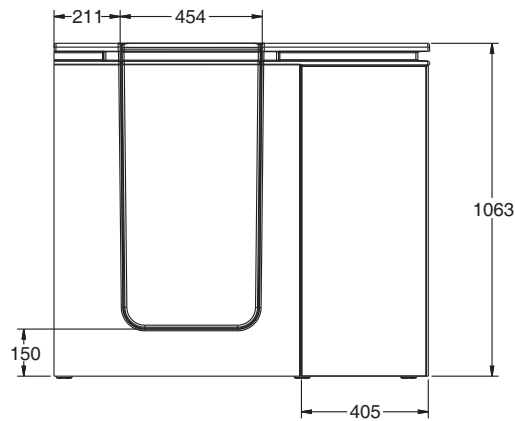
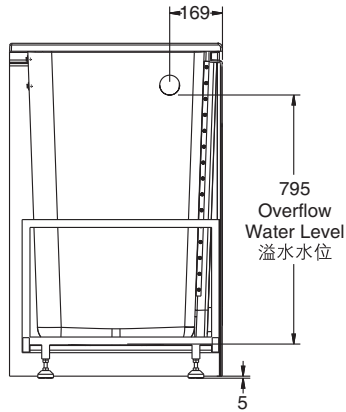
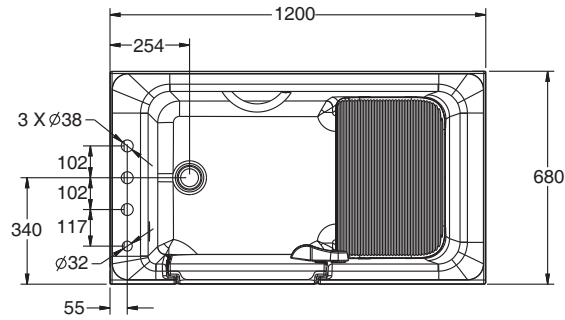


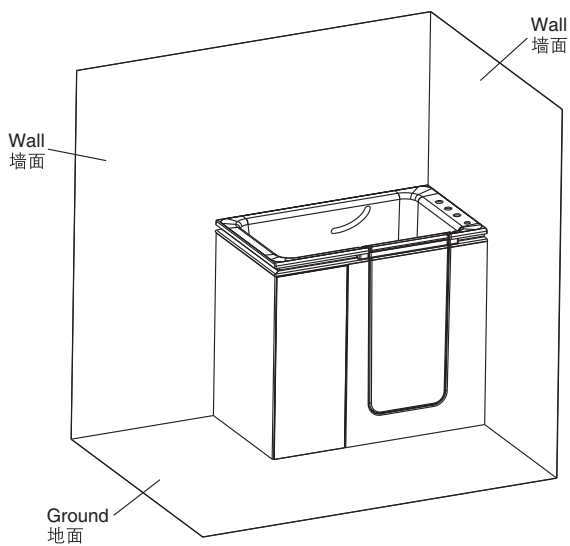
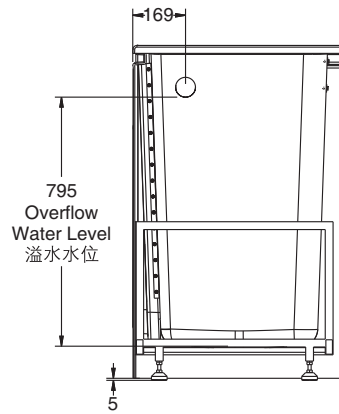
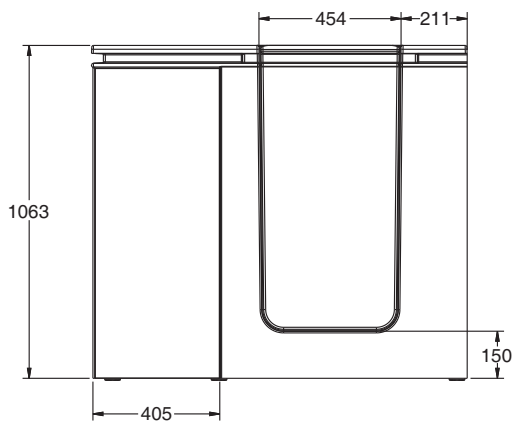
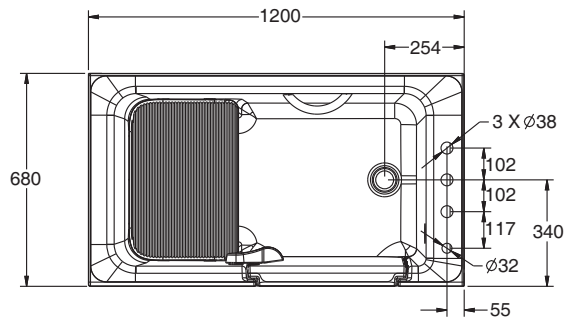
BELAY WALK IN BATH 1.2m INTEGRATED, CN 贝灵1.2m步入式浴缸(台阶150mm版)

LH (左开门) K-29719T-LCP
RH (右开门) K-29719T-RCP

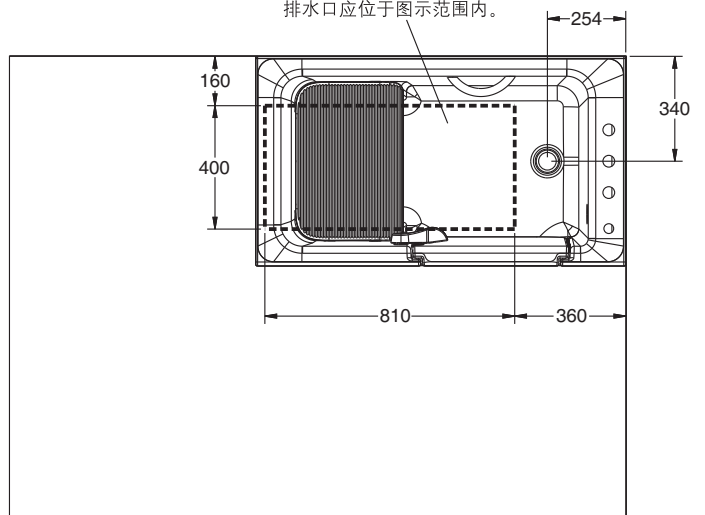
ROUGHING-IN 产品尺寸图 (Unit:mm) (单位:毫米)



K-29719T-LCP
Installation Roughing-in
左开门安装尺寸图



The actual outlet should be located in the area as shown.
排水口应位于图示范围内。



K-29719T-RCP
Installation Roughing-in
右开门安装尺寸图

PRODUCT INFORMATION 产品信息

| | |
|---|-----------------------|
| Water Depth 深度 (To Overflow Hole Bottom 至溢水口底部) | 795mm (毫米) |
| Capacity 水容量 (To Overflow Hole Bottom 至溢水口底部) | 360L (升) |
| Basin Area 底部面积 | 903mm(毫米) × 495mm(毫米) |
| Top Area 顶部面积 | 996mm(毫米) × 551mm(毫米) |

Installation Notes 安装要点

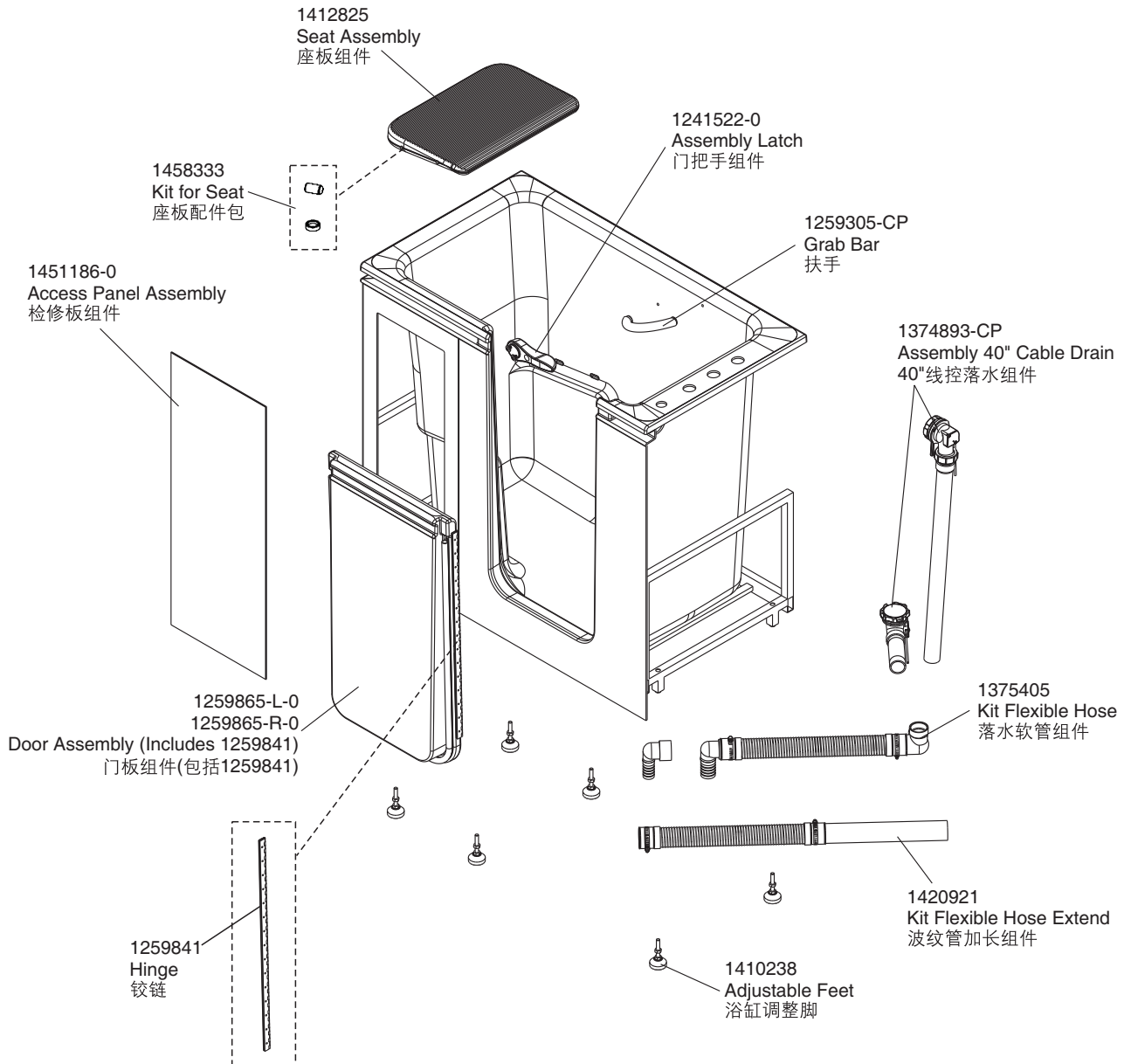
- Refer to installation instruction included with fixture before beginning installation.
- 开始安装前请参考浴缸包装中的安装说明书。
- Unless otherwise specified floor support under bath must provide for a minimum of 800kg loading (including the weight of bathtub, water and one user).
- 除非另有说明，否则浴缸下地面必须至少可以承载800kg的负载(包含浴缸、水及一名使用者的重量)。

Included Accessory Information 包含配件信息

| | |
|--|------------|
| Assembly 40" Cable Drain 40"线控落水组件 | 1374893-CP |
| Kit Flexible Hose 落水软管组件..... | 1375405 |
| Kit Flexible Hose Extend 波纹管加长组件..... | 1420921 |

Optional Accessory Information 可选配件信息

| | |
|---|--------------|
| ALEO S 4 Hole Deck Mount Bath Shower FCT 利奥4孔缸边式浴缸花洒龙头(致巧款) | K-31236T-4-* |
| Renew Slidebar, 24" 氧沐60cm滑动花洒支架 | K-98342T-* |



Color code (-*) must be specified when ordering.

订购时请说明颜色代码(-*)