



In Step®
Paper Towel Holder
K-25382T-NA

Features

- Stepped base helps prevent towels from unrolling.
- Tension loop controls dispensing.
- Weighted base prevents tipping.
- Durable and rust-resistant.

Material

- Stainless-steel mast.

Recommended Products/Accessories

K-23729 Stainless steel cleaner



Codes/Standards



None Applicable

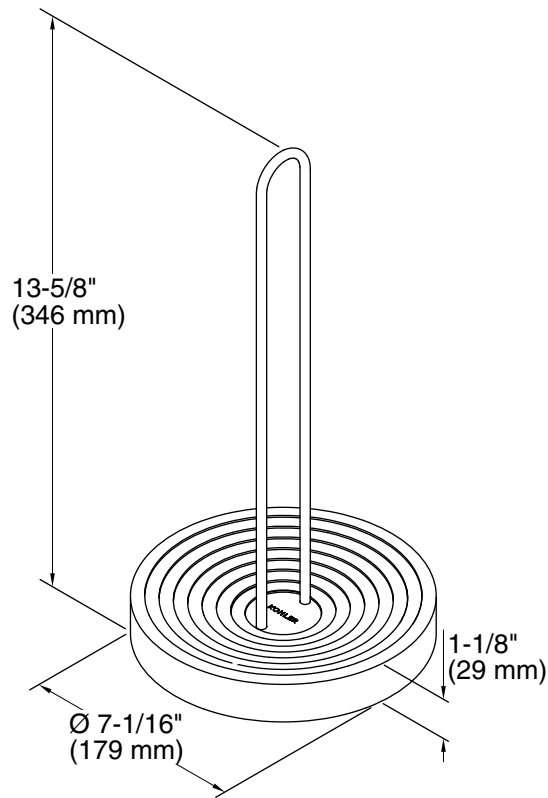
KOHLER® One-Year Limited Warranty

See website for detailed warranty information.

Available Colors/Finishes

Color tiles intended for reference only.

Color	Code	Description
	0	White
	CHR	Charcoal



Technical Information

All product dimensions are nominal.

Material: Plastic, Stainless Steel