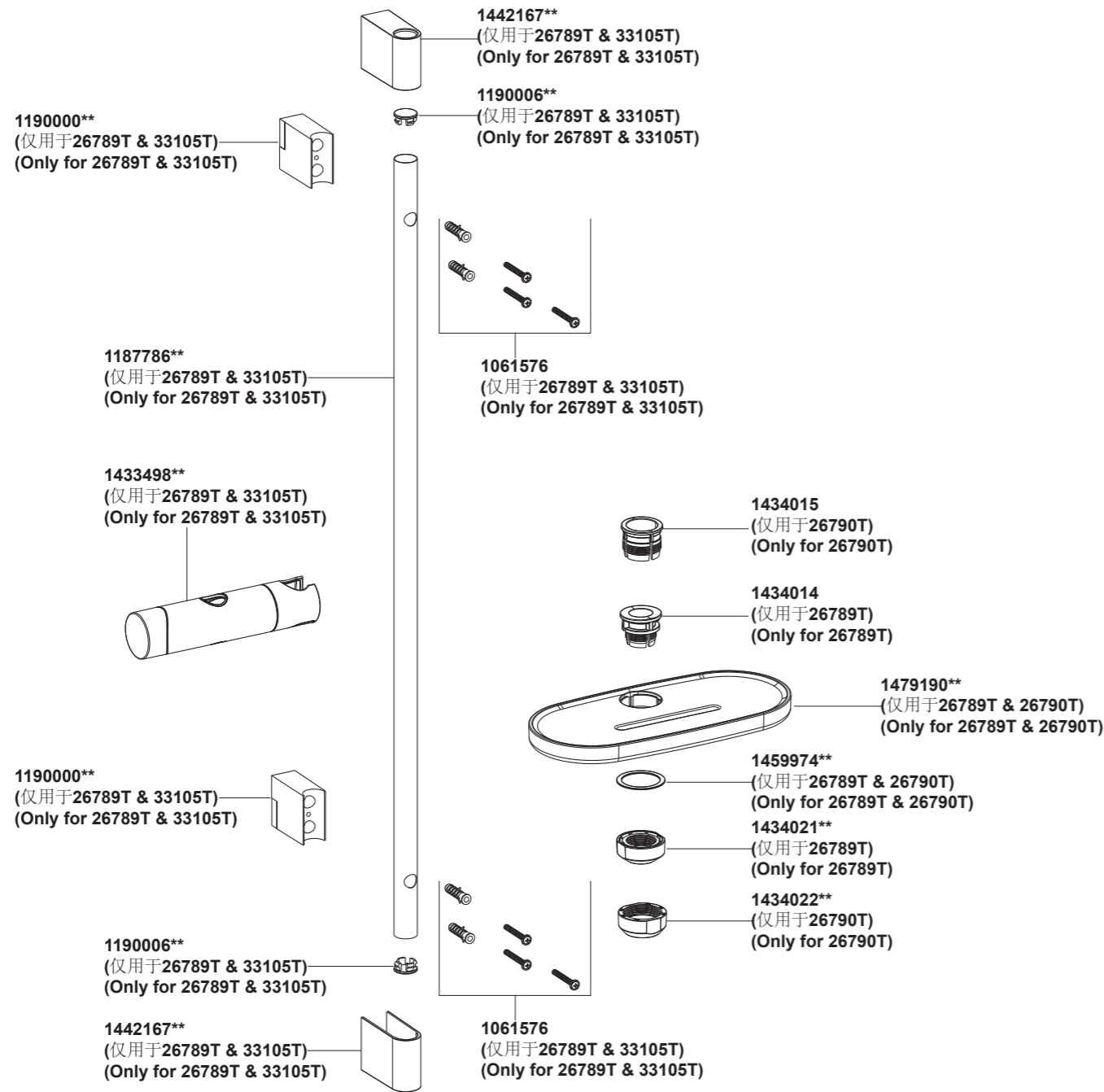


- 26789T 滑动花洒支架 (含置物盘)
- 33105T 滑动花洒支架
- 26790T 置物盘



**订购时请说明颜色编号
**Color code must be specified when ordering

- 26789T 滑动花洒支架 (含置物盘)
- 33105T 滑动花洒支架
- 26790T 置物盘

安装之前

所有的资料是按最新发布的产品资料编写而成。科勒公司保留任何时候不经通知即可改变产品特性、包装或产品可供类型的权利。

说明书包括重要的安装、保养及清洁方面的内容，请把这些资料交给用户阅读。

注意：
置物盘26790T仅可搭配Ø25毫米管径的淋浴柱。

BEFORE YOU BEGIN

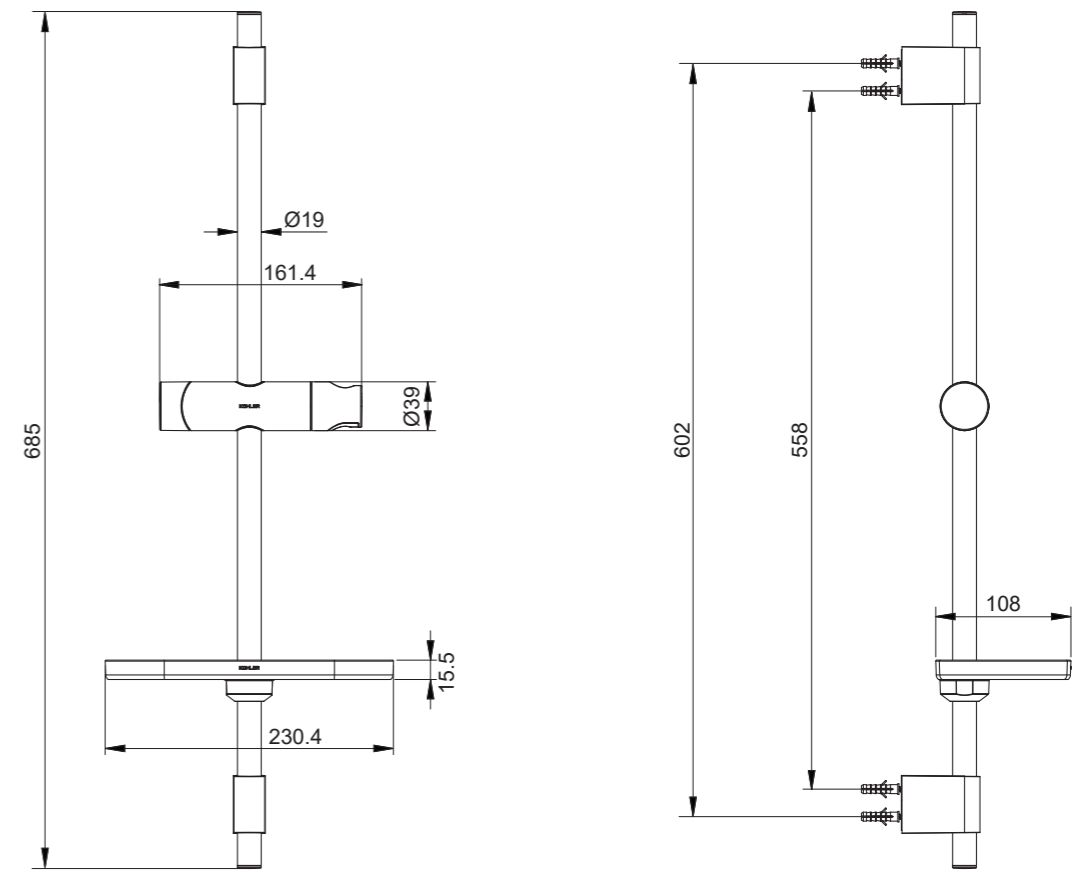
All information is based on the latest product information available at the time of publication. Kohler Co. reserves the right to make changes in product characteristics, packaging, or availability at any time without notice.

Please leave these instructions for the consumer. They contain important information.

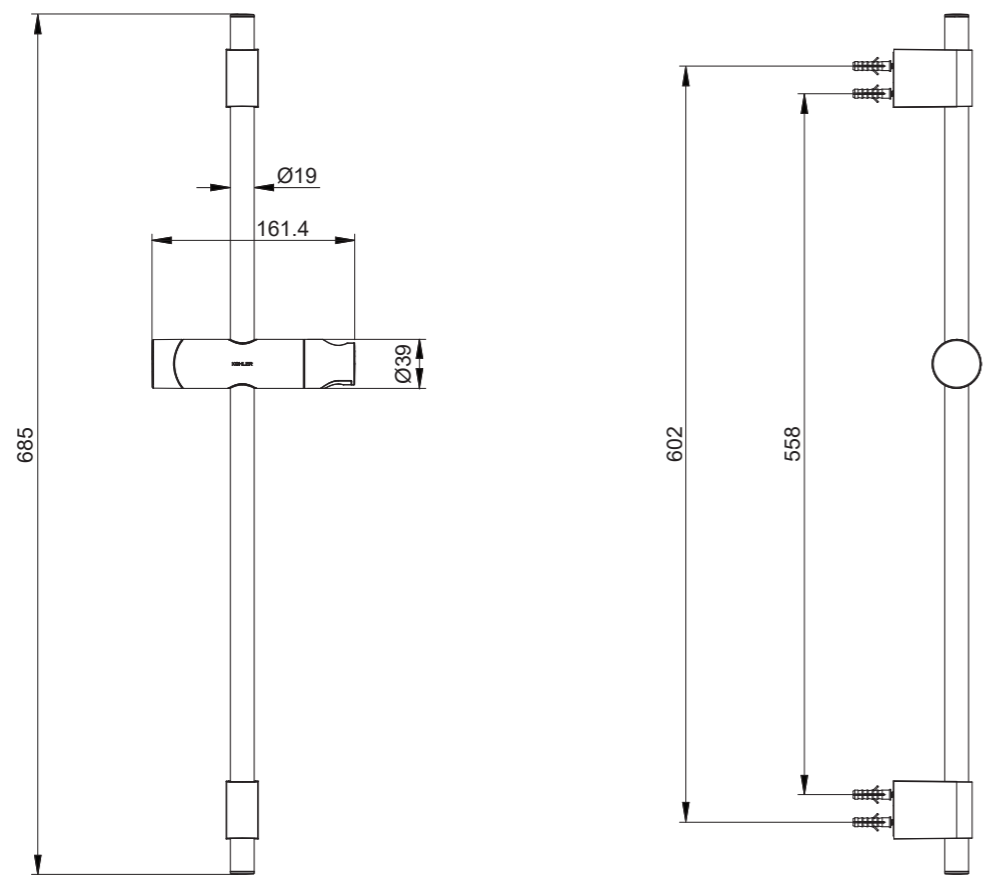
NOTE:
Tray 26790T should only match with Ø25mm shower column.

安装尺寸

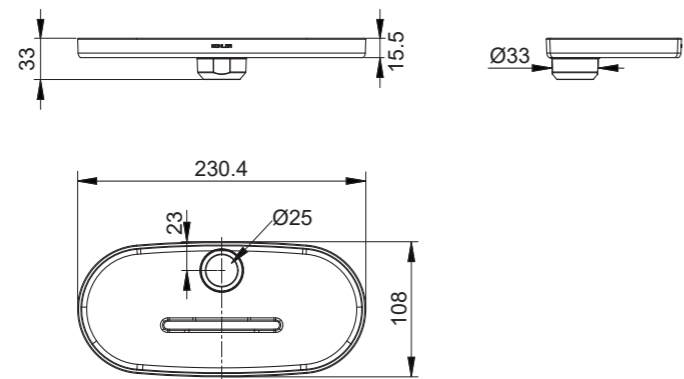
ROUGH-IN DIMENSIONS



26789T



33105T

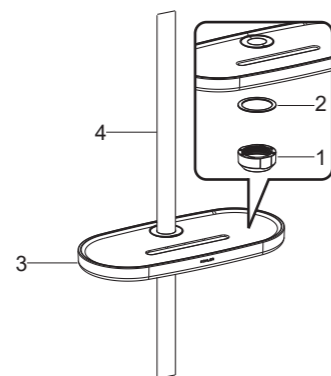


26790T

安装步骤

如何安装置物盘 (对于26790T)

将螺母(1)带垫片(2)轻轻旋入置物盘(3)底部螺栓,接着将置物盘穿过淋浴柱(4),调整好位置后用工具锁紧螺母(1)。



注意: 置物盘26790T仅可搭配Ø25毫米管径的淋浴柱。

INSTALLATION

How to Install the Tray (For 26790T)

Screw the nut(1) with washer(2) onto the connector of the tray(3), and then slide the tray onto the column(4). Adjust the tray to the proper position. Tighten the nut(1) to fix the tray with tool.

NOTE: Tray 26790T should only match with Ø25mm shower column.

如何安装滑杆 (对于26789T & 33105T)

在墙面上选择一个合适的位置,用于安装滑动花洒支架。避开墙面内的电线和管道。

根据支架座(5, 6)尺寸图,在墙面适当的高度打两个孔,将胀塞(7)分别塞入孔中。用螺钉(8)固定上支架座(5)于墙上。

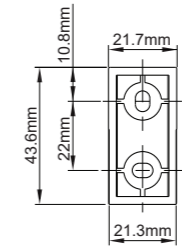
试装支杆(9)、螺钉(10)和下支架座(6),用笔标记下支架座的位置并找出两个孔的位置,钻两个孔,塞入胀塞(7),用螺钉(8)固定下支架座(6)于墙上。

将花洒挂架(11)穿过支杆(9),并调节花洒挂架转钮,使其位置合适。

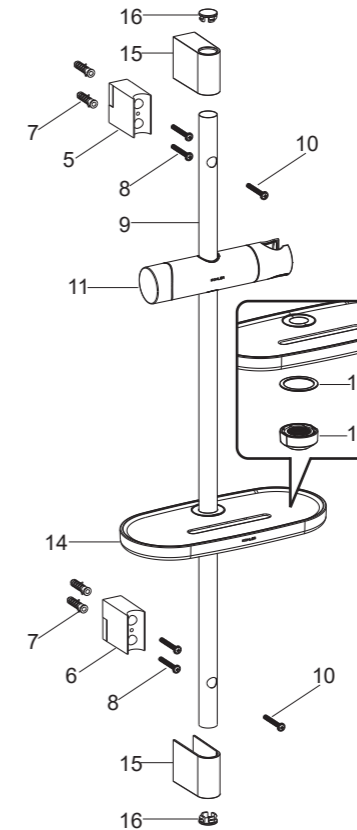
对于26789T: 将螺母(12)带垫片(13)轻轻旋入置物盘(14)底部螺栓,接着将置物盘穿过支杆,调整好位置后用工具锁紧螺母(12)。

用螺钉(10)将支架组件固定在支架座上。

分别将支架座盖(15)通过支杆装在支架座上,再扣上支杆盖(16)。



支架座尺寸图
Bracket dimension



How to Install the Slide bar (For 26789T & 33105T)

Decide on a suitable position for the slide bar avoiding buried cables and pipes in the wall.

Drill two holes at the proper height in the wall as the bracket(5, 6) dimensions. Put the anchors(7) into the holes. Install the bracket(5) with the screws(8) in the wall.

Rehearse the slide bar(9), screws(10) and bracket(6). Mark the outline of the bracket with a pencil on the wall, and find the position of the holes. Drill two holes and put the anchors(7) into the holes. Install the bracket(6) with the screws(8) in the wall.

Slide the handshower holder(11) onto the bar(9). Adjust the holder to the proper position.

For 26789T: Screw the nut(12) with washer(13) onto the connector of the tray(14), and then slide the tray onto the bar. Adjust the tray to the proper position. Tighten the nut(12) to fix the tray with tool.

Tighten the slide bar with the screws(10).

Slide the bracket covers(15) onto the slide bar, and install the caps(16).

清洗说明

适用于所有加工处理过的表面:以中性肥皂水清洗镀层表面,再以干净的软布彻底擦干整个表面,许多清洁剂,比如氨水、去污粉及洁厕灵等,会对电镀表面造成伤害,切忌使用。

有磨损性的清洁用具或清洁剂也不可适用于科勒牌的水龙头及其配件上。

CLEANING INSTRUCTIONS

All Finishes: Clean the finish with mild soap and warm water. Wipe entire surface completely dry with clean soft cloth. Many cleaners may contain chemicals, such as ammonia, chlorine, toilet cleaner etc. which could adversely affect the finish and are not recommended for cleaning.

Do not use abrasive cleaners or solvents on Kohler faucets and fittings.