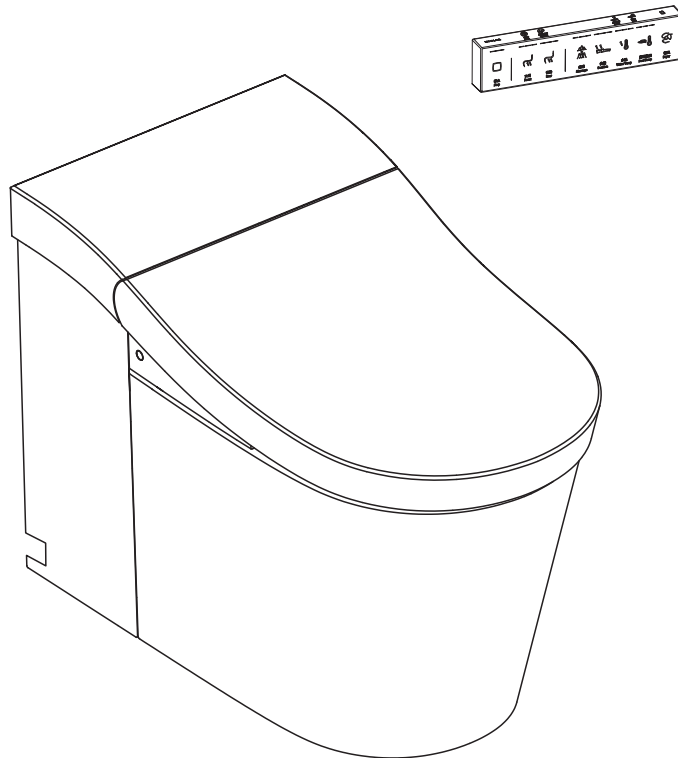


Installation Guide

安裝說明

INNATE INTELLIGENT TOILET

星朗智能座便器



Kohler China Investment Co., Ltd.

科勒（中國）投資有限公司

No.158, Jiangchangsan Road, Jing'An District, Shanghai, PRC Post Code : 200436

中國上海市靜安區江場三路158號 郵編：200436

Manufacturer: Shanghai Kohler Electronics., Ltd.

製造商:上海科勒電子科技有限公司

No. 1955, Fengxiang Road, Baoshan Area, Shanghai, PRC Post Code : 200444

中國上海市寶山區豐翔路1955號 郵編：200444

English page 2-16

中文繁體頁碼 17-31

1408702-TW01-A

THE BOLD LOOK
OF **KOHLER**®

BEFORE YOU BEGIN

- Please read the following instructions carefully and familiarize yourself with the required tools, materials, and installation sequences. Follow the section that pertains to your particular installation. This will help you avoid costly mistakes. In addition to proper installation, please also read all operating and safety instructions.
- All information in the instructions is based upon the latest product information available at the time of publication. Kohler China reserves the right to make changes in product characteristics, packaging, or availability at any time without notice.
- These instructions contain important care, cleaning, and warranty information - please leave instructions for the consumer.
- We appreciate your commitment to Kohler quality. Please take a few minutes to review this manual before installation. If you encounter any installation or performance problem, please don't hesitate to contact us. Thanks again for choosing Kohler Company.
- Pre-arrange enough space for toilet installation. Make sure it will not affect the opening and closing of the door.
- When install the product in the room, a stop valve shall be installed in a close proximity. For emergency circumstances, the water inlet valve shall be stopped without using any tools; otherwise unexpected failure may cause the loss to the customer.
- Confirm discharge pit dimension distance is 305mm or 400mm, ± 28 adjustable. If not, the installation will be compromised.
- Confirm water supply stop must extend no more than 3mm beyond the finished wall or sink no more than 5mm below finished wall or the installation will be compromised.
- DN15mm or larger main water pipe is recommended.
- In order to achieve a better flush performance, customer shall avoid any obvious pipe necking or blockage from thermal melt during PPR pipe connection, and ensure ID no less than 15mm after connection.
- Recommended cable spec is 1mm²-2.5mm² hard wires; connect only to 110V~, 60Hz, 15A or more circuit protected with grounded circuit-breaker or grounded electric leak circuit breaker.
- When user cut power supply off, if reactivation of power supply is required, please wait until the end of "beep....." indication, and then turn on power supply again.
- The toilet must be grounded properly.
- Fixed wiring center must be equipped with electric shock opening so to disconnect the power completely when level III overload condition occurred. .

NOTE



DANGER: Risk of electric shock. Disconnect power before using.



WARNING: Risk of electric shock. Connect only to circuits protected by Ground-Fault Circuit-Interruption (GFCI's) or Earth-Leakage Circuit-Breakers (ELCB's).



CAUTION: Risk of hazardous gases. If a new toilet is not installed immediately, temporarily place a rag in the floor flange opening.

NOTICE: Follow all local plumbing and electrical codes.

NOTICE: Receptacles (if any) installed in bathrooms shall be located at least 1 meter from a bathtub or shower if practical.

- Observe all local plumbing and building codes.
- Carefully inspect the new toilet for damage.
- Water and electrical supplies may be wall mounted.



WARNING: Risk of electric shock for hardwires installations/through-floor electrical supply: Connect only to properly-grounded, dedicated 110V~, 60Hz, 15A circuit protected by a Class A Ground-Fault Circuit-Interrupter (GFCI) or Earth- Leakage Circuit- Breaker (ELCB).

 **WARNING: 15A receptacle is required.**

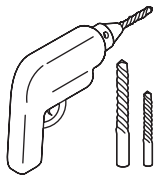
Tools and material (Not supplied)

Drill and bits, expansion bolt and inserts, gaskets, assorted screwdrivers (crosshead, flat and hex), wire stripper, scissor, socket wrench, utility knife, pen, pliers, tape, test pencil, PTFE Tape

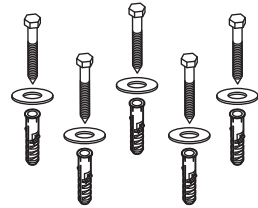
Others

Pad and protection material

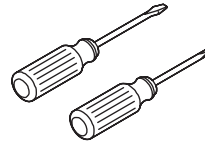
Masking tape



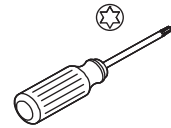
Drill and bits



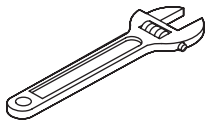
Expansion bolt and inserts, gaskets



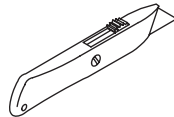
Screwdriver



Hex head screwdriver



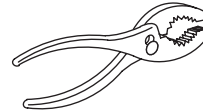
Socket wrench



Utility knife



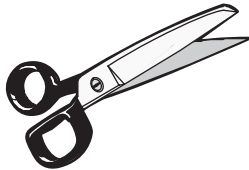
Pen



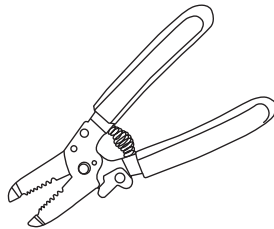
Pliers



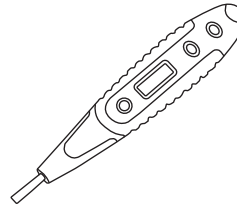
Tape



Scissor



Wire stripper



Test pencil

Overall Sketch

Unit: mm

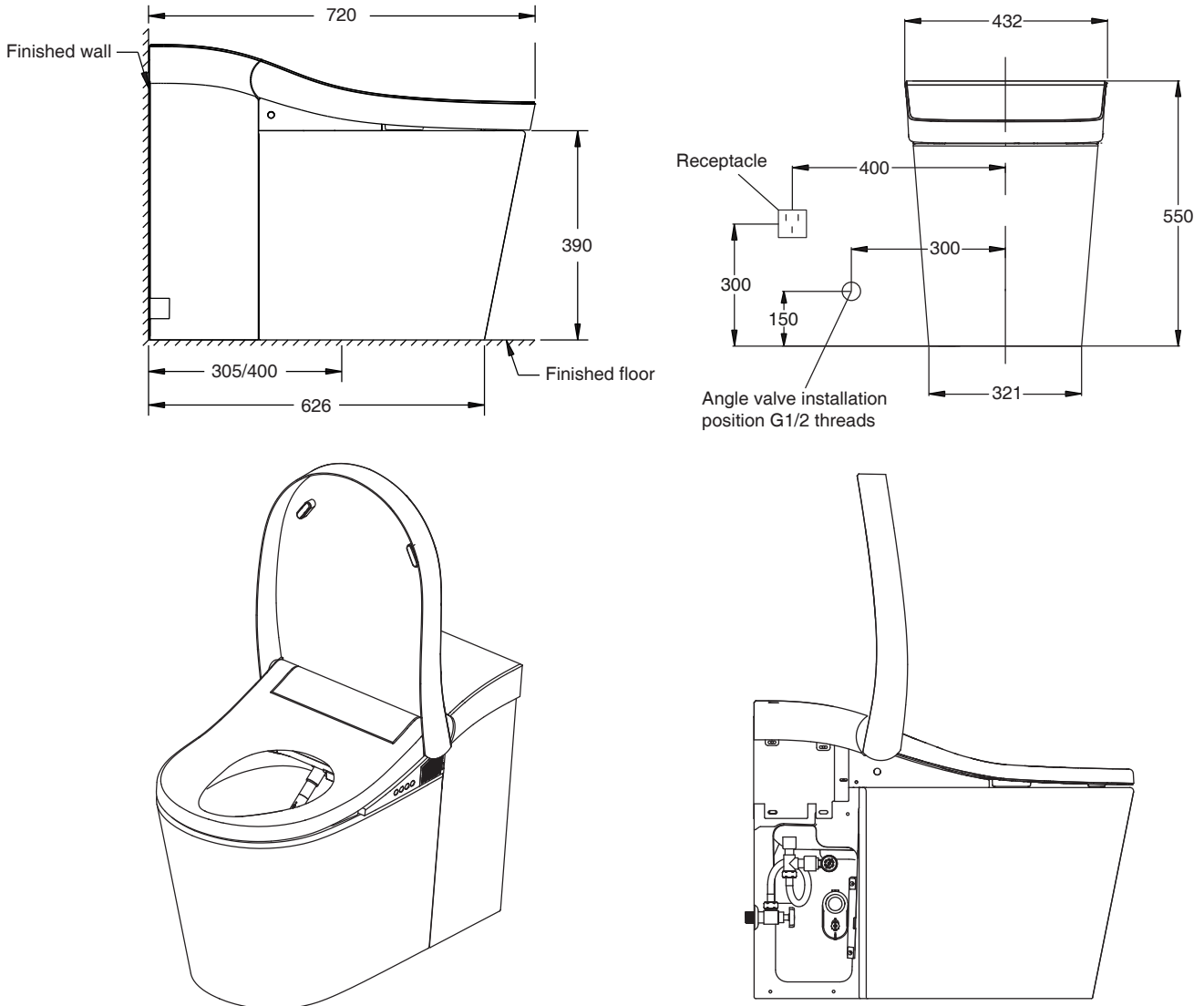


Fig 1

Kohler reserves the right to change marked dimensions without prior notice.

SPECIFICATIONS

Flushing Volume	5.5L
Minimum rough-in	305mm
Water pressure	min inlet water pressure 0.07Mpa (dynamic) max inlet water pressure 0.74Mpa
Rated voltage	110V~, 60Hz
Rated power*	1100W
Outline Dimension	About 720mm x 432mm x 550mm
Product Weight	About 51kg
Inlet water temp	1-35°C
Operation Environment	1-40°C

NOTE: refer to "Homeowner's Guide" for detailed specifications of the toilet.

* Power value testing condition: dynamic pressure 0.2Mpa, inlet water temp 15°C.

PREPARATIONS BEFORE INSTALLATION

A. Hold the rim of the vitreous shell and take the toilet out.

WARNING: Risk of personal injury and product damage! Please do not hold the rim of the bidet seat when lifting the toilet. As the toilet is heavy, please seek help if necessary.

Note: do not remove cover and seat protection bag during installation process.

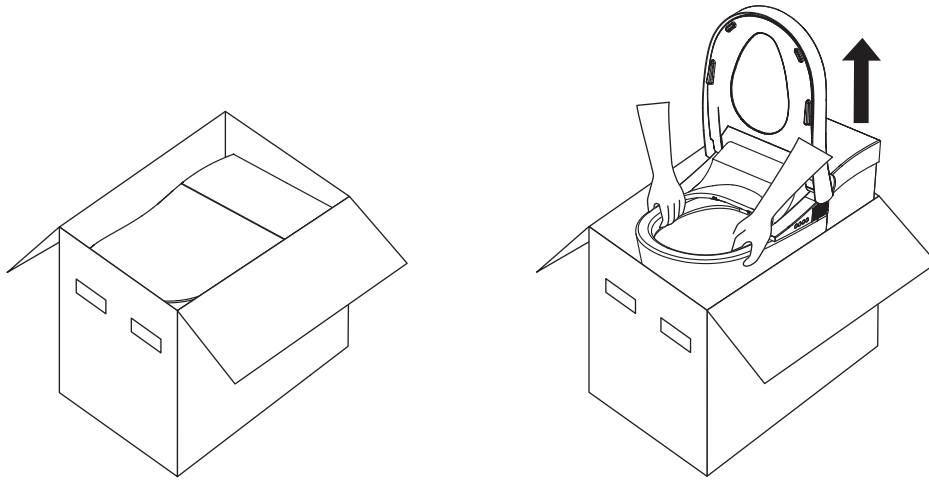


Fig 2

B. Place an 800mmX800mm cushion on the floor, take the toilet out from the carton then place on cushion.

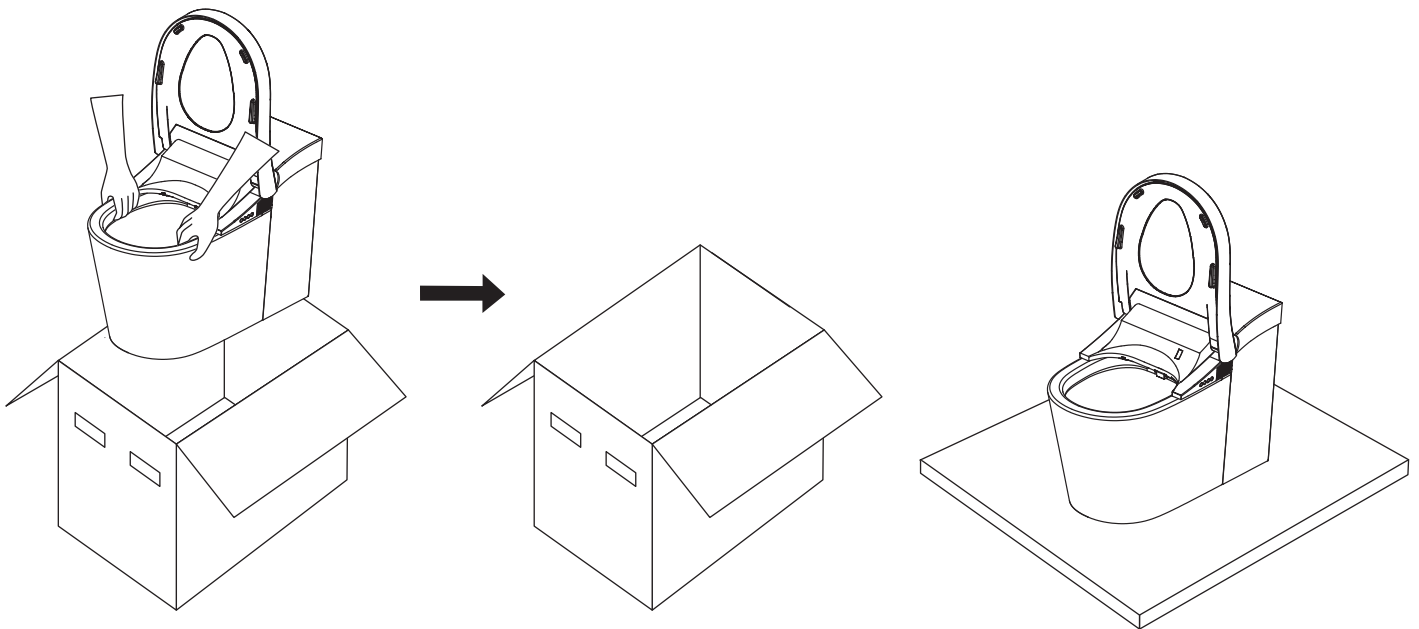


Fig 3

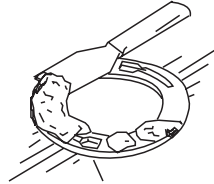
INSTALLATION

A. Remove Existing Toilet (If any)

Turn off the water supply. Flush the toilet, and use a sponge to remove the remaining water from the tank and bowl. Disconnect water supply shut-off valve (if any), and remove the residual tank and bowl.

Remove old gasket from the floor and toilet flange accessory bag with a putty knife. Dismantle residual T-bolts and discard them.

NOTICE: if a new toilet is not installed immediately, temporarily stuff a rag in flange accessory bag.



Flange accessory package

Fig 4

B. Roughing-in

⚠ DANGER: Risk of electric shock. Disconnect power supply before servicing.

NOTE: This product is designed to work with wall mounted electrical and water supplies as shown in the mounting dimensions.

⚠ WARNING: Risk of electric shock. Connect only to circuits protected by Ground-Fault Circuit-Interruption (GFCI's) or Earth-Leakage Circuit-Breakers (ELCB's).

⚠ Keep bath and shower head away from electrical parts (such as remote controller, receptacle etc). When the electrical supply is mounted on the wall, an anti-splash and waterproof receptacle is required.

Unit: mm

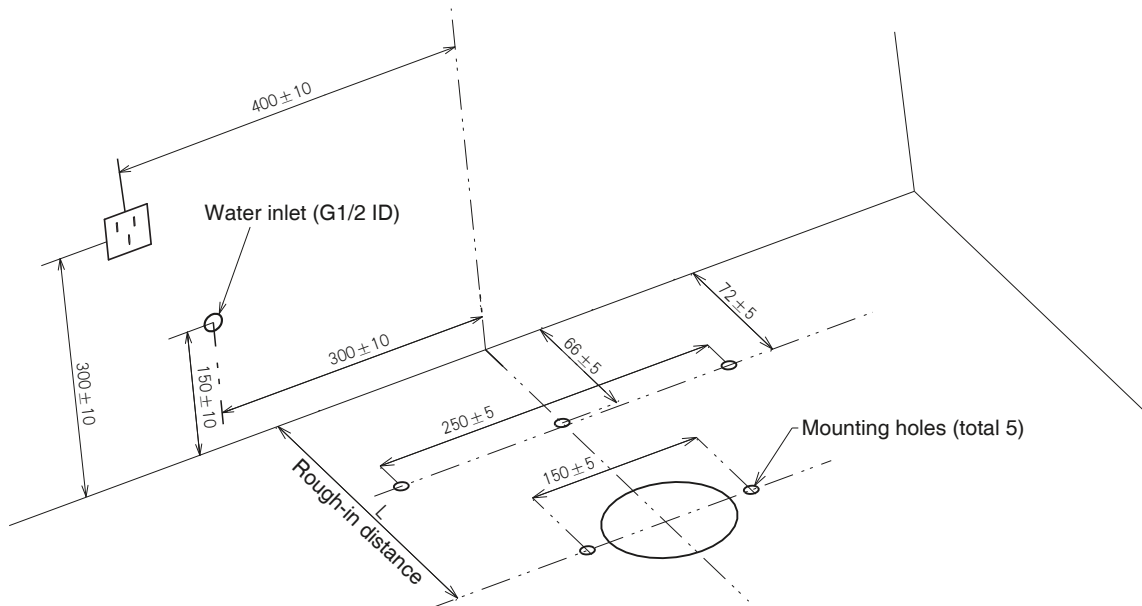


Fig 5

- C. 1、 Confirm the drain hole center and mark down the “+” centerline perpendicular to the finished wall.
- 2、 Confirm the toilet drain hole center and mark down the centerline on front, back, left and right outside of toilet.
- 3、 Make sure the toilet side mark symbol is align to the drain hole centerline on the finished floor. Mark down the left and right holes.

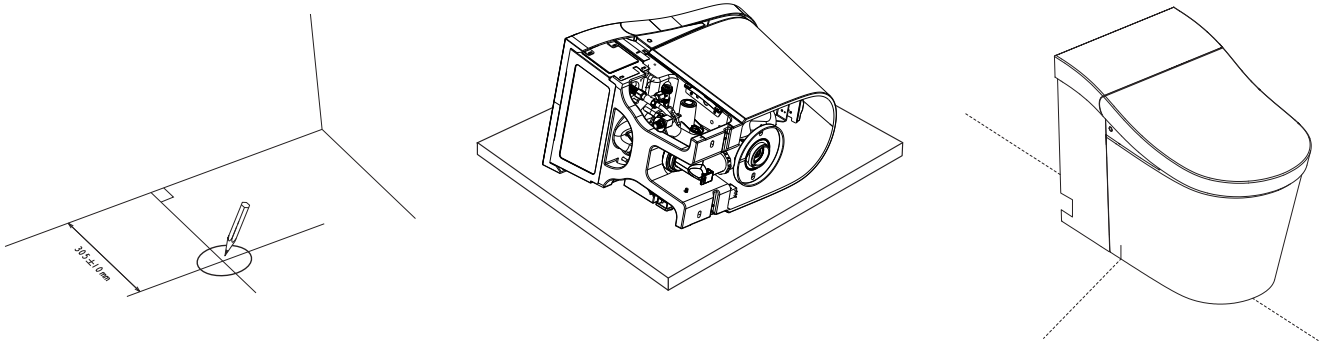


Fig 6

-
- D. Drill 5 holes and insert two plastic insert and T-bolts (Purchased by customer).

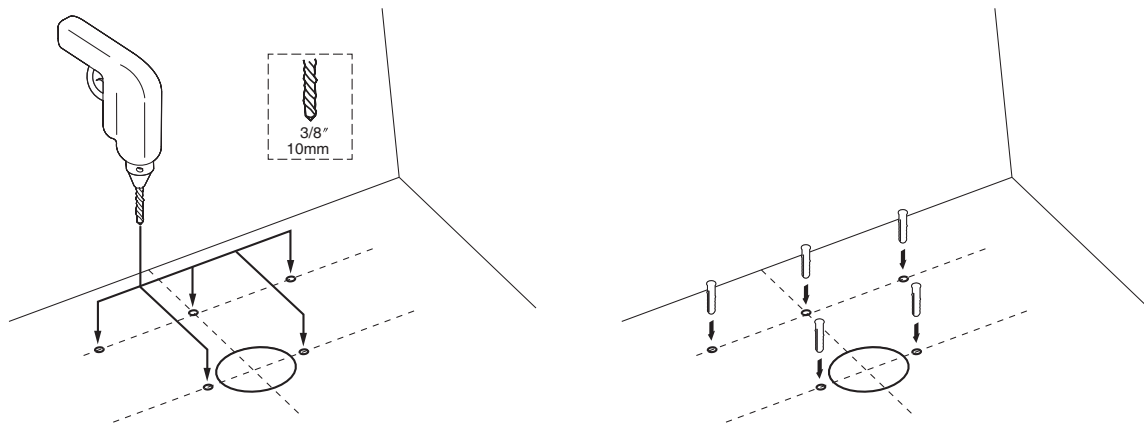
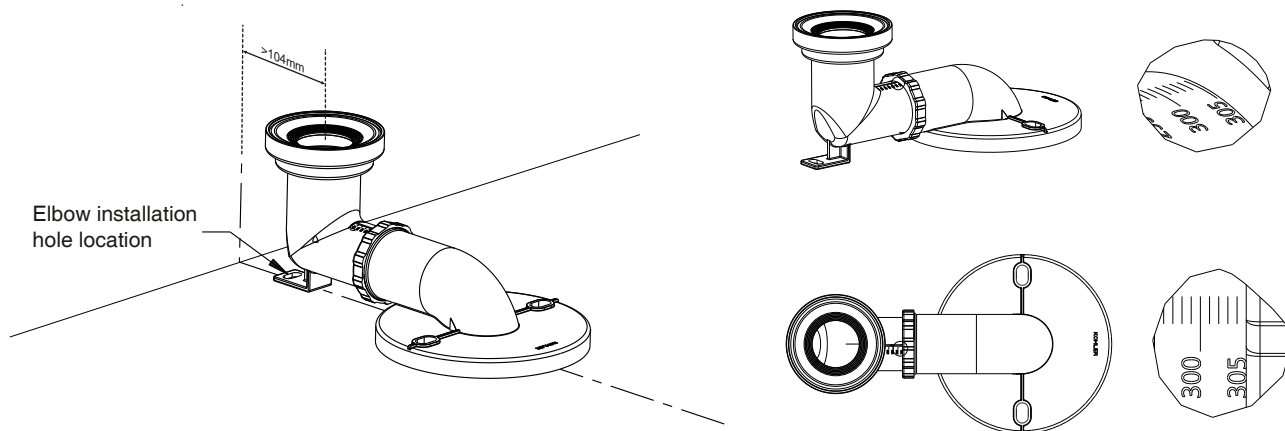


Fig 7

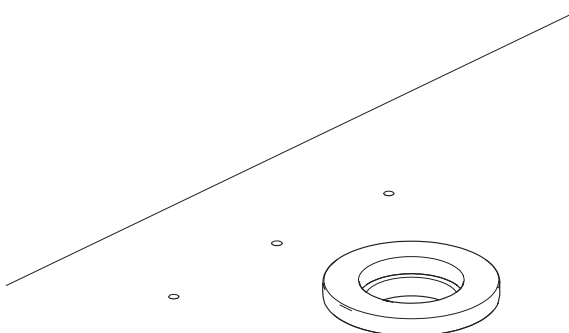
E. Discharge pipe installation

1. Take discharge pipe out, adjust to meet following condition:
 - a. Align discharge pipe with floor discharge port.
 - b. Align floor mounting hole to each hole.
 - c. Upper discharge port center to wall distance is larger than 104mm.Then tighten big nut on discharge pipe.

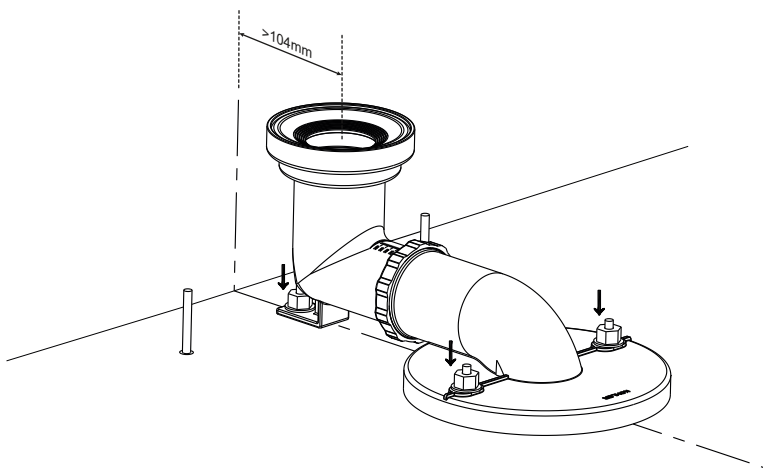
Note: ensure floor flatness. For 305 mm model, adjusting ranges is 277~333mm, for 400mm model, adjusting range is 372~428mm; the nut must be locked after adjustment. when start adjusting elbow, it will be easier to adjust by loosening nut first, rotate two elbow and then rotate back to home position.



2. Align wax center with floor drain hole and place on floor.

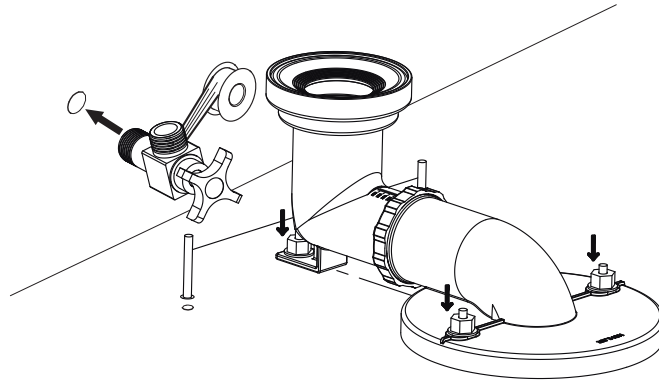


3. Secure discharge pipe by 3 bolts and gaskets on the floor, and ensure discharge elbow center distance to wall distance is larger than 104mm.



F. Angle valve installation

1. Wrap angle valve by PTFE TAPE and connect with water hole on the wall.

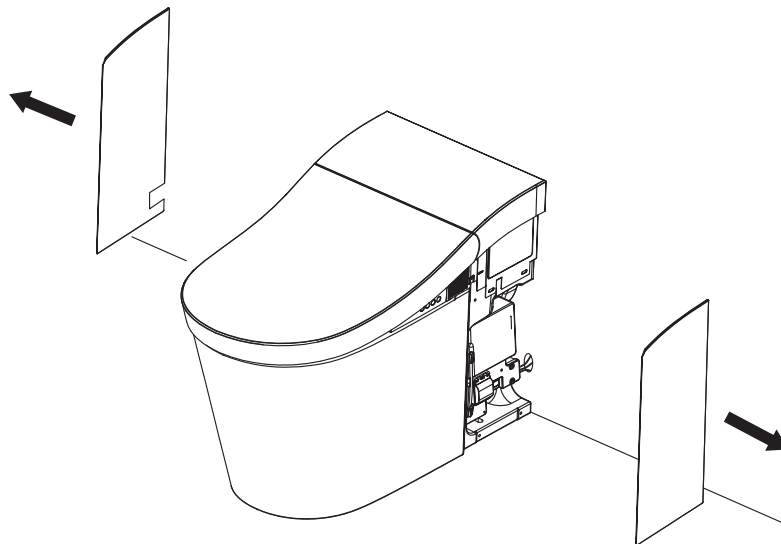


2. Angle valve switching method

Turn clockwise is OFF, turn counter-clockwise is ON.

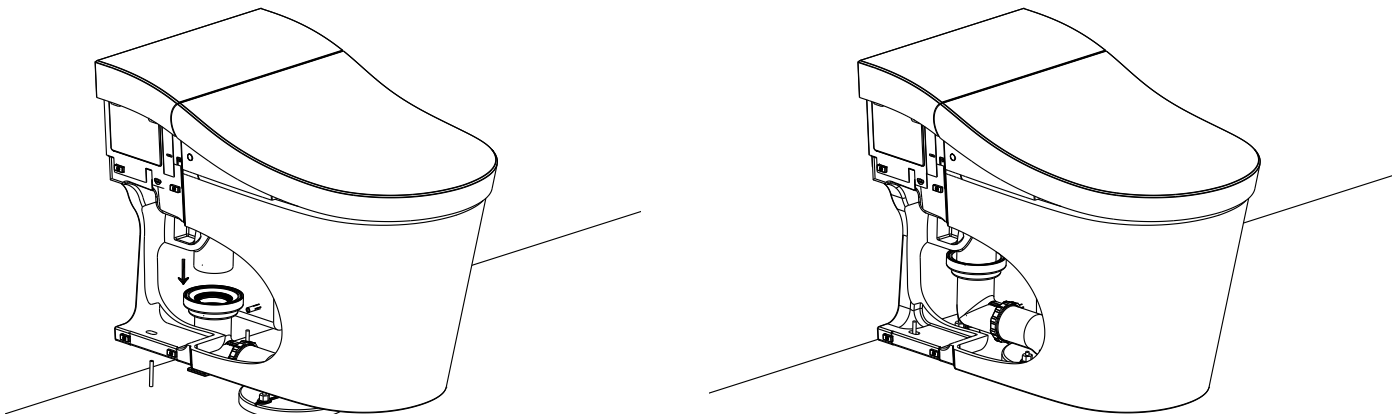
Note: After the intake valve is connected, discharge water completely.

G. Dismantle left/right side panel



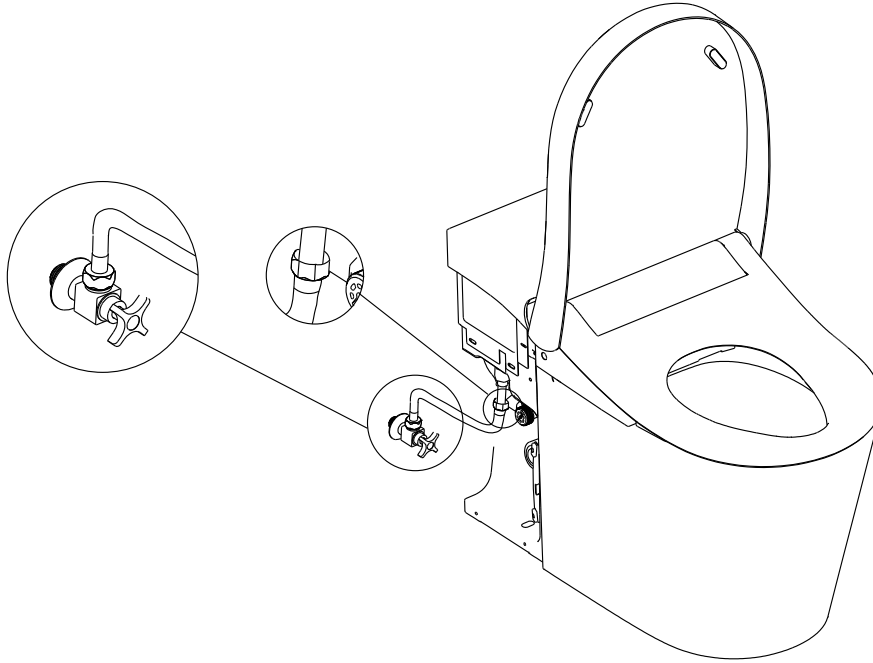
H. Vitreous installation

Lift toilet up (2 assistants needed), align toilet axis with drainage centerline and the toilet close to the wall, and gently place it on the floor.








I. Inlet connection

Take inlet hose from accessory bag, connect angle valve water outlet and toilet inlet T-valve.



J. Power connection

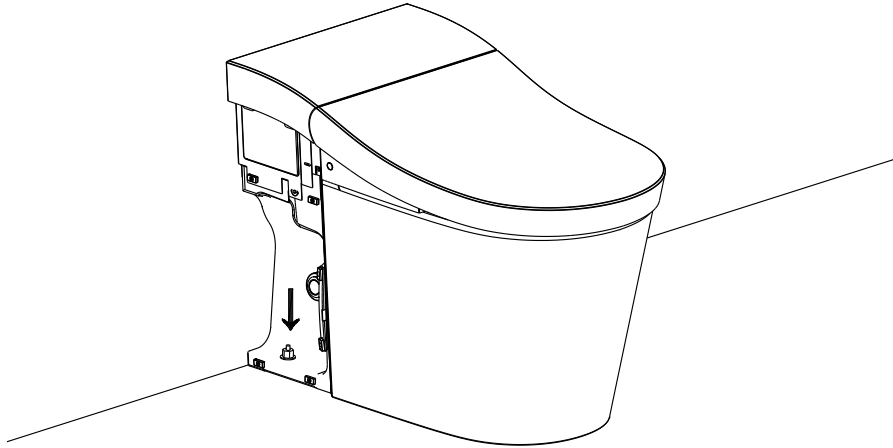
-  **DANGER:** Risk of electric shock. Disconnect power supply before servicing.
-  **DANGER:** Risk of electrical shock. For plug-in installations/wall-mounted electrical supply: connect only to a properly-grounded, grounding-type receptacle protected by a Ground-Fault Circuit-Interrupter (GFCI). Do not remove the grounding pin or use a grounding adapter.
-  **DANGER:** Risk of electrical shock. For hardwire installations/through-floor electrical supply: Connect only to a properly-grounded, dedicated 110V~, 60Hz, 15A circuit protected by a Class A Ground-Fault Circuit-Interrupter (GFCI) or Earth-leakage Circuit-Breaker (ELCB).
-  **Note:** no extended wire is allowed.
-  **Note:** receptacle without grounding wire is not allowed. (Series with power cord) plug the power cord into receptacle.

K. Power on and water on test

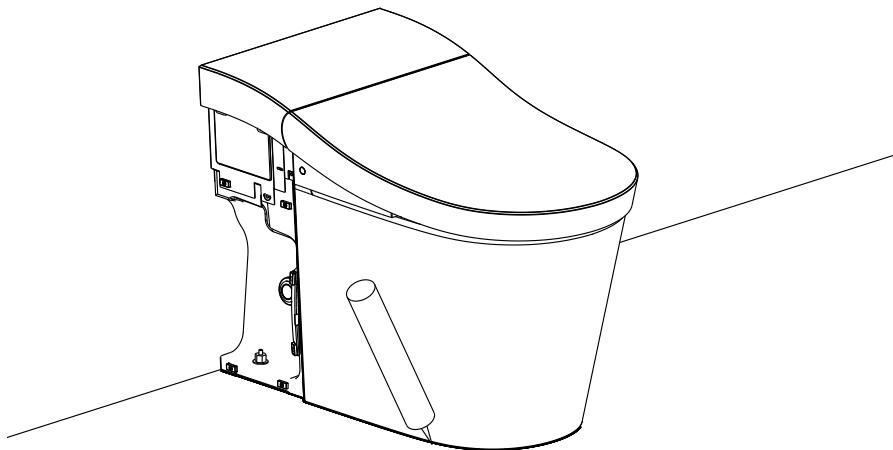
- 1、 Water on first and then power on after installation.
- 2、 Open inlet valve, plug in the socket. Toilet start water and power self-inspection, fill water tank; when heard one “Beep”, night light is OFF, indicate self-inspection is completed and the toilet is ready for use. Specific usage refers to Homeowners Guide.
- 3、 Refer to flush water and power on inspection manual to confirm normal flush status.

L. Secure vitreous

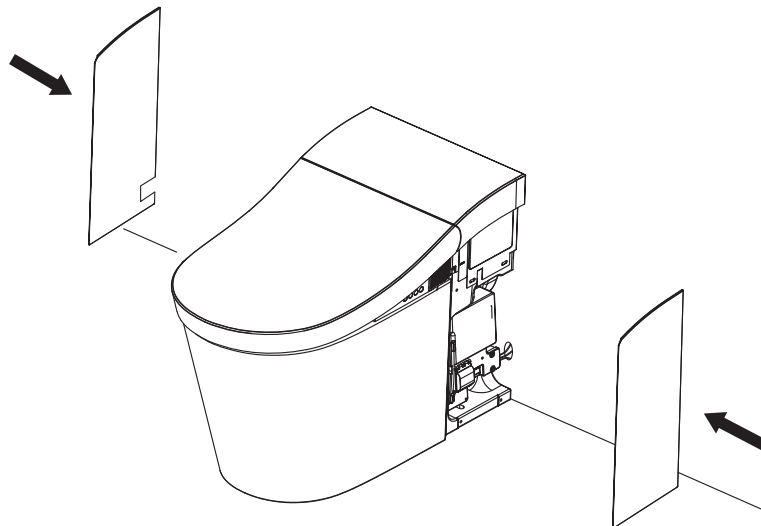
1. Secure vitreous on floor by bolts.



2. Apply silicon grease around the vitreous.



3. Install sideboards back from both sides.



Installation of remote controller holder

NOTE: If the wall for installation is made of special material (such as wood board, density board and etc.), proper fixing methods shall be adopted.

NOTE: The place to install the remote controller shall not be easily splashed by water.

Choose a mounting location for the remote holder that is easily accessible while sitting on the seat.

Drilling two holes with depth larger than 45mm on the wall by drill with a diameter of 6mm in accordance with the position of screw holes on the remote control holder, and then installs the expansion tube into the holes.

Place the installation holder on the fixing hole;

Fix the holder with screws and install it.

Install the screw covers on the screws;

Place the remote controller on the holder.

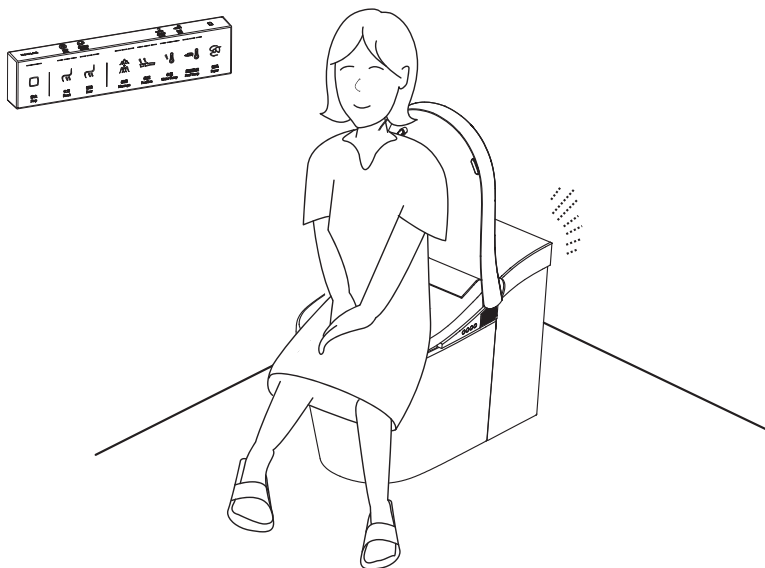
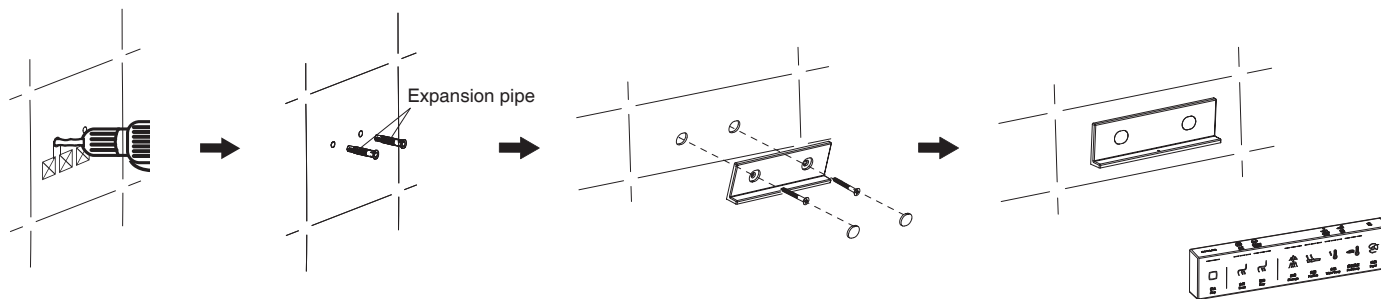


Fig 18

Installation steps:



Public anti-loss installation:

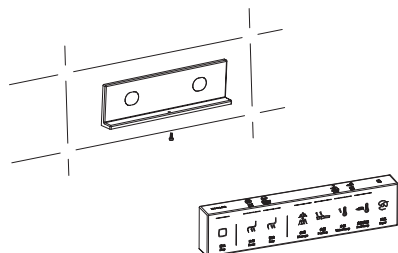


Fig 19

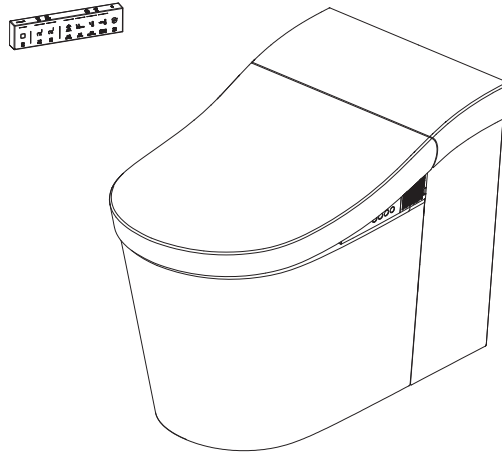


Fig 20

Confirm if water inlet valve is open.

Confirm power is connected properly, concealed version side power leak switch is “ON” (detailed information refers to page 11 on UG).

Confirm battery has been installed in the remote docking station properly.

Confirm no obstacle in front of product.

After toilet self-inspection completed, it is normal to hear motor rotating and water flow noise. When night light blink indicates self-inspection is in process.

Default ex-work status for initial use :

Front Wash:

- Water temp: mid
- Water flow intensity: mid
- Ejection position: mid
- Pulsation mode: OFF

Seat temp: mid

Night light: ON

Auto energy saving: OFF

Auto cover open: ON

Microwave detection distance: mid

Auto flush function: ON

Auto UV function: ON

Auto deodorizer function: ON

Standby mode: OFF

Prolonged seating indication function: OFF

Rear Wash:

- Water temp: mid
- Water flow intensity: mid
- Ejection position: mid
- Pulsation mode: OFF

The above settings are for the full-functional version. For differences in the specifications of models, refer to their product configuration matrix.

Trouble shooting

This guide of trouble shooting is for general help only. Authorized representatives or qualified electricians of Kohler Company shall be able to solve all electrical failures. If you want to know about the service of warranty, please contact local dealers or wholesalers.

Symptoms	Possible Causes	Recommended Actions
1. Toilet does not work.	A. Power failure B. Plug not connected or no power to socket C. The leakage circuit breaker on plug does not reset. D. Product is on standby mode	A. Wait until the power is restored B. Plug in or detect the socket C. Press Reset button on the plug D. Press “⊖” button at the side panel.
2. Toilet fails to flush	A. Water failure B. Tee valve for water supply is closed C. Power failure D. Product is at standby mode E. Wash mode is in progress F. Auto-flushing is deactivated	A. Wait until the water supply is restored B. Open the tee valve for water supply C. Wait until the power is restored or review manual flush, manual flush or flush by using the basin. D. Press “⊖” button at the side panel. E. Perform after flushing operation completed. F. Review “Guide on remote controller setting”
3. Toilet is not clean after flushing.	A. Filter screen is blocked B. Insufficient water pressure.	A. Refer to “Washing of filter screen” B. Check if all tee valves are opened. If not, please open; C. Check bend problem on inlet hose, if so, adjust hose.
4. Wash mode is abnormal.	A. Water failure B. Tee valve for water supply is closed or not opened completely C. Product is at standby mode D. Not yet seated or current sitting posture unable to be sensed by the seat E. Filter screen is blocked F. Insufficient water pressure.	A. Wait until the water supply is restored B. Fully open the tee valve for water supply C. Press “⊖” button at the side panel. D. Seated or adjust your sitting gesture E. Review the section of “Washing the filter screen” F. Check bend problem on inlet hose, if so, adjust hose.
5. Flush function stops in operation process.	A. Flushing mode stops automatically after continuous flushing for 5 minutes B. The seat is unable to sense human body	A. If necessary, press the flushing button again. B. Adjust your sitting gesture or sit on the toilet again.
6. The wash mode runs even when unseated.	A. The seat is covered by foreign matters or the seat is wet.	A. Remove the foreign matters or dry seat.
7. Dryer fan stops in operation process.	A. The dryer fan stops automatically after continuous usage for 4 minutes B. The seat is unable to sense human body	A. If necessary, press the dryer button again. B. Adjust your sitting gesture or sit on the toilet again.
8. Deodorization fan does not work	A. The seat is unable to sense human body B. Stop button is pressed by mistake during operation C. Auto deodorization function is deactivated	A. Adjust your sitting gesture or sit on the toilet again. B. If necessary, please unseat for about 2S and then sit on the toilet again. C. Review “Guide on remote controller setting”
9. Cover fails to close/open	A. The seat is covered by foreign matters or the seat is wet B. The toilet cover is interfered by people at the open/close process before	A. Remove the foreign matters or dry seat. B. Use the remote control or manually open/close the cover until it works properly. Do not block switch during open/close process
10. Auto cover fails to close/open.	A. User is not seated enters or leaves the sensing area B. Remote controller “automatic cover-turning” function is deactivated C. The toilet is in the process of flushing	A. Please sit or leave the sensing area B. Review “Guide on remote controller setting”. C. Wait until the flushing process is completed

11. Night light does not work	A. The night function is turned off B. The indoor light is too bright	A. Review “auxiliary keyboard function” to activate the night light function. B. Please cover photoreception window completely.
12. UV sterilization function does not work	A. User sits on the toilet B. The seat is covered by foreign matters or the seat is wet	A. Please close the cover and reactivates the UV sterilization again when unseated. B. Remove the foreign matters or dry the seat
13. Remote is unable to display	A. Battery exhausted B. Battery polarities are mounted reversely C. The remote controller does not answer.	A. Replace with new batteries B. Reinstall properly C. Approach to the toilet or seated.
14. Remote control fails to connect to toilet.	A. Lower battery B. The remote control is too far from the toilet C. The toilet is not yet powered on D. The toilet is on standby mode E. The toilet is not connected to the remote control	A. Review “Usage and replacement of battery for remote control” chapter and replace battery accordingly. B. Review “Communication between remote controller and the toilet”, and approach to the toilet C. Power on the toilet. D. Press “⊖” button at the side panel. E. Review “Communication between remote and toilet” and connect toilet and remote accordingly.
15. The seat is not warm.	A. Remote seat temp set too low. B. Toilet is on standby mode.	A. Set seat temp to proper dial. B. Press “⊖” button at the side panel.

If you want to check the toilet, first of all, you should:

Handle down circuit leakage protection switch (no power cord version).

Turn off the water supply valve if necessary.

CONSUMER RESPONSIBILITIES


If you live in a hard water area, make certain that the holes on the toilet rim are kept clean to ensure proper bowl flushing. Toilet bowl cleaners should be used at least once a week. Use a long-handled brush to clean the rim holes, and to clean as far into the trap as possible to prevent mineral deposits from forming.

Most toilet bowl cleaners are not harmful to the vitreous chin or the surface of the toilet bowl. Please follow the bowl cleaner manufacturer's instructions carefully.

Do not use abrasive cleaners or solvents.

 **WARNING: Risk of property or product damage.**

Kohler Company shall not be responsible or liable for any damage to these fittings caused by the use of cleaners containing chlorine (Calcium hypochlorite).

 **Warning: do not use any hard setting material (cement mortar) while installing the toilet.** Thermal expansion of hard setting material (cement mortar) will damage or crack the feet of toilet. Kohler will not be responsible for any damage because of using hard setting material (cement mortar) for toilet installation.

 **WARNING: Risk of product damage.**

Do not throw into the toilet what that will cause the toilet to block such as newspapers and sanitary towel. Do not bump the vitreous china with great force as it will cause damage and leaking.

Do not use product beyond the specified environment.

NOTE: Refer to "Homeowner's Guide" for the cleaning and maintenance of toilet.

NOTE: Flush the water supply pipes thoroughly to remove debris. Product is designed for tap water or potable water.

安裝之前

- 請仔細詳閱本指引。以便熟悉所需工具、物料及安裝程式。請遵照適用的章節來安裝您的座便器，以避免由於安裝失當而導致不必要的損失。除了有關正確的安裝方法之外，還務請詳閱所有操作及安全指引。
- 本指引所載之一切資料，均以印刷時所有之最新產品情況為基礎，科勒保留權利隨時更改產品特性、包裝或供應情況，恕不另行通知。
- 本指引也包含了有關護理、清潔及保養等重要資料 - 請交予使用者保存。
- 我們感謝您對科勒品質的信任。在您開始安裝之前，請您花上幾分鐘時間來閱讀這本手冊。如果您在安裝或性能方面遇到任何問題，務必請您與我們聯繫。再次感謝您選擇科勒公司。
- 安裝前，請確保座便器安裝所需要的空間，並不會影響到門的開關。
- 在安裝本產品的同一房間中，需要在觸手可及的位置安裝一個止水閥，用於緊急情況下，無需借助工具即可切斷本產品的進水水路；否則本產品的意外故障可能會導致使用者損失。
- 確認排水坑距305mm或400mm，適應可調±28。如未滿足，可能會影響安裝。
- 確認出水接頭距離完工牆面凸出不超過3mm。沉入完工牆壁不超過5mm。如未滿足，可能會影響安裝。
- 推薦使用內徑DN15mm以上的主水管。
- 為了達到更好的沖洗效果，用戶在安裝進水管如PPR管的熱熔連接時，應儘量避免明顯的縮徑或熱熔擠出物堵塞部分管道等現象，並確保連接後進水管內徑不小於15mm。
- 推薦電纜線規格1mm²-2.5mm²硬線，電路中需有110V~，60Hz，15A或以上接地故障斷路器或接地漏電保護器。
- 用戶切斷電源後，如須再次接通電源，請務必聽到“滴，滴...”提示音結束後，再接通電源。
- 器具必須正確接地。
- 固定佈線中必須配有觸電開距提供在過電壓等級III條件下全斷開的裝置。

注意



危險：存在觸電危險。操作前應切斷電源。



警告：存在觸電危險。只可連接至帶接地故障斷路器（GFCI）或接地漏電斷路器（ELCB）保護的電路中。



謹慎：存在有害氣體的危險。如果新座便器不能立即安裝，可在地面法蘭孔上臨時遮蓋一塊舊布。

注意：遵守所有的本地管道安裝和電氣規程。

注意：安裝在浴室內的插座位置（如果有）距離浴缸或淋浴噴頭至少應為一米。

- 遵守所有的本地管道安裝規程和建築規範。
- 仔細檢查新座便器有無損壞。
- 電源和水管應採用牆式安裝方式。



警告：觸電、火災或人身傷害的危險。本產品必須安全接地。只能連接到專用的110V~，60Hz，15A帶接地故障斷路器或接地漏電保護器的電路中。



警告：必須使用 15A 的插座。

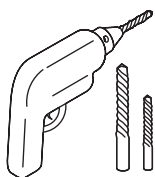
所需工具及材料（不隨貨供應）

電鑽及配套鑽頭，膨脹螺釘及膨脹管，墊片，螺絲刀（十字，一字，梅花頭），剝線鉗，剪刀，活絡扳手，美工刀，筆，鉗子，卷尺，測電筆，生料帶

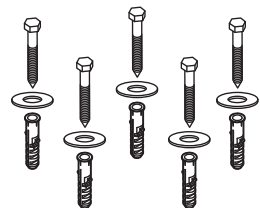
其他

墊子或防護材料

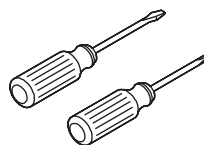
膠帶



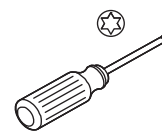
電鑽及配套鑽頭



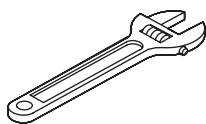
膨脹螺釘及膨脹管、墊片



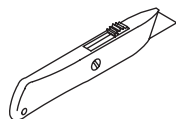
螺絲刀



梅花頭螺絲刀



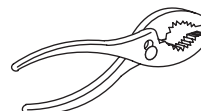
活絡扳手



美工刀



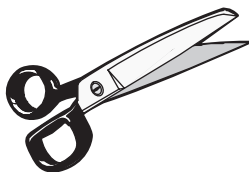
筆



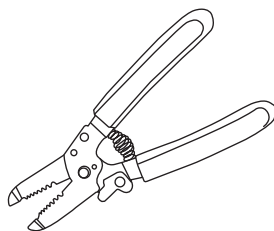
鉗子



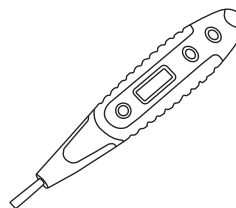
卷尺



剪刀



剝線鉗



測電筆

整體簡圖

單位：毫米

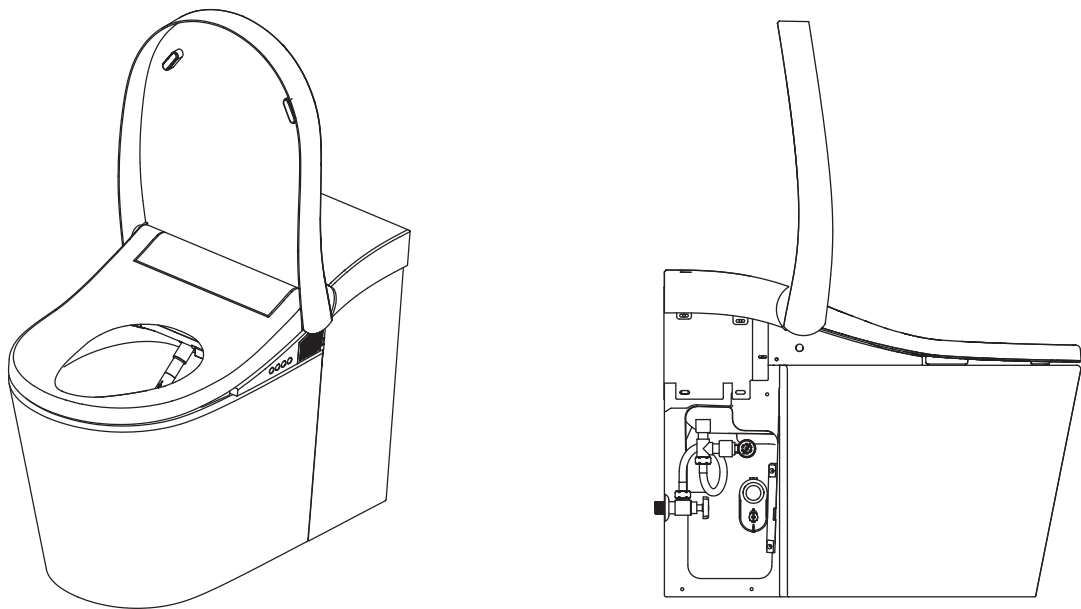
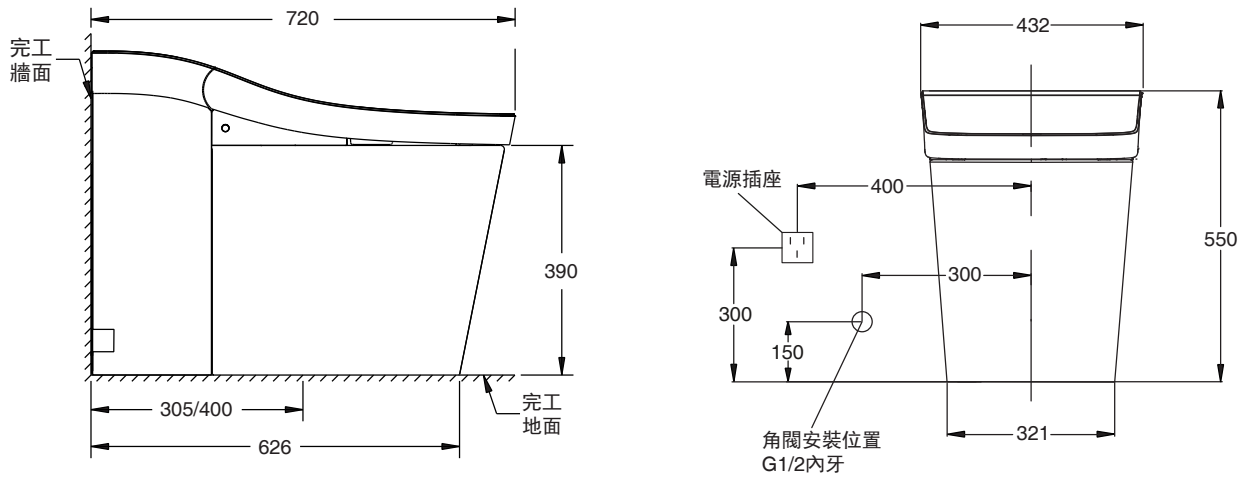


圖1

科勒公司保留隨時變更圖中標示尺寸的權利，無需另行通知。

規格

用水量	5.5L
使用坑距	305mm
供水壓力	最小進水壓力0.07Mpa（動壓） 最大進水壓力0.74Mpa
額定電壓	110V~，60Hz
額定功率*	1100W
產品外形尺寸	約720mm x 432mm x 550mm
產品重量	約51kg
進水溫度	1-35°C
使用環境溫度	1-40°C

注意：智慧座便器規格詳見使用者手冊。

* 功率值測試條件：動壓0.2Mpa，進水溫度15°C。

安裝前準備

A. 抓住陶瓷件的邊緣，從包裝箱中取出產品。

警告：人身和產品損害風險！向上提起座便器時，請勿抓住智能蓋板的邊緣。由於座便器較重，必要時請尋求他人幫助。

注意：在整個安裝過程中，請勿取下蓋板和座圈的保護袋。

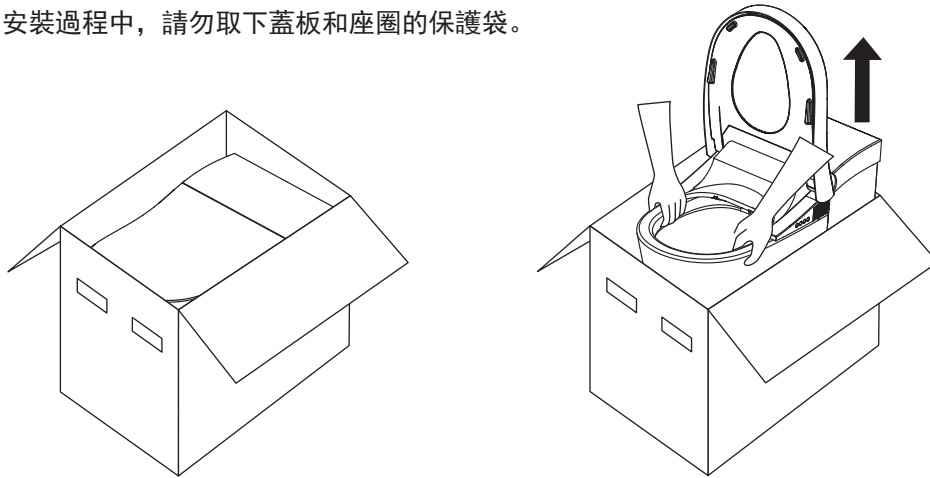


圖2

B. 在地面上放置一塊 800mm X 800mm 大小的軟墊，將座便器從包裝箱中取出放在軟墊上。

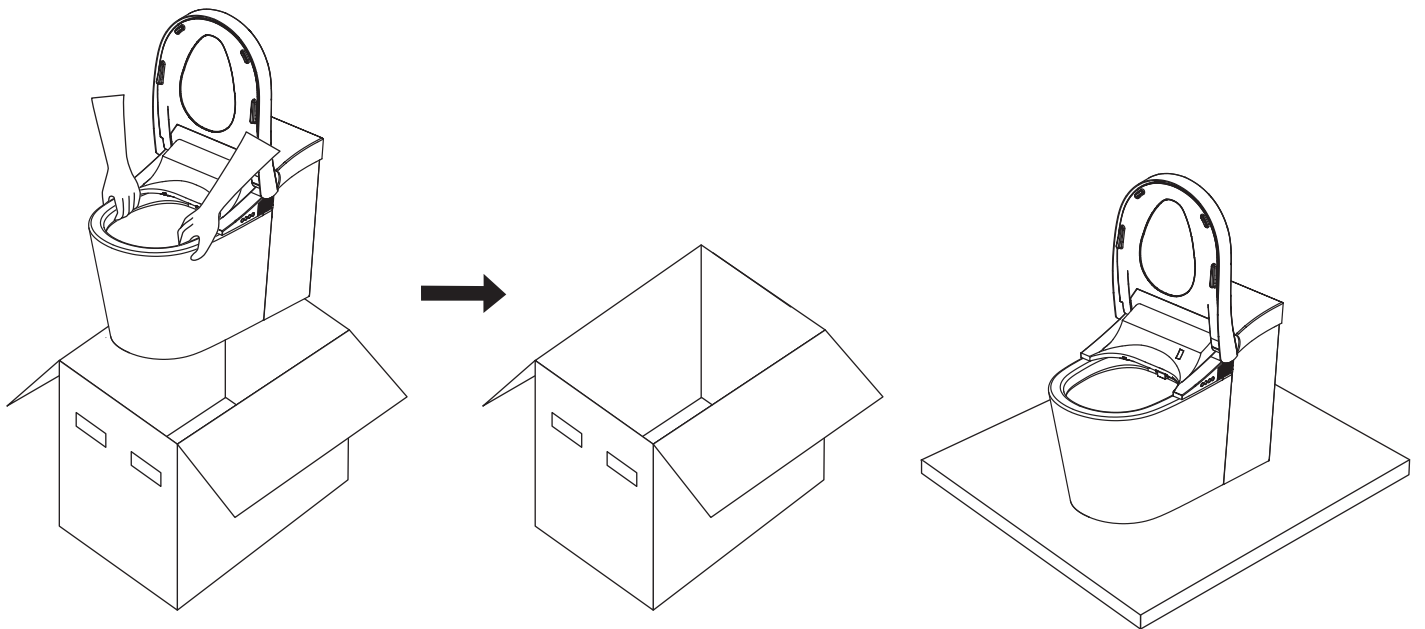


圖3

A. 拆除舊座便器 (如果有)

關掉供水源，給座便器沖水，用海綿吸去座便器內的剩餘水分，拆除供水管止水閥（如果有），移開舊水箱和座便器。用塗油灰刀拆除地上的舊密封墊圈及座便器法蘭附件包，拆除及扔掉舊的T型螺栓。

注意：如果不能即時安裝新座便器，請用碎布暫將法蘭附件包堵住。



圖4

B. 安裝尺寸

⚠ 危險： 存在觸電危險。安裝前應切斷電源。

注：本產品設計可安裝於牆上式電源和水路管。安裝方式在尺寸圖中有標示。

⚠ 警告： 存在觸電危險。只可連接至帶接地故障斷路器（GFCI）或接地漏電斷路器（ELCB）保護的電路中。

⚠ 浴缸與花灑位置請遠離帶電部件（如遙控器、電源插座等）。 如果是牆上式電源，需要使用防水、防濺的插座。

單位：毫米

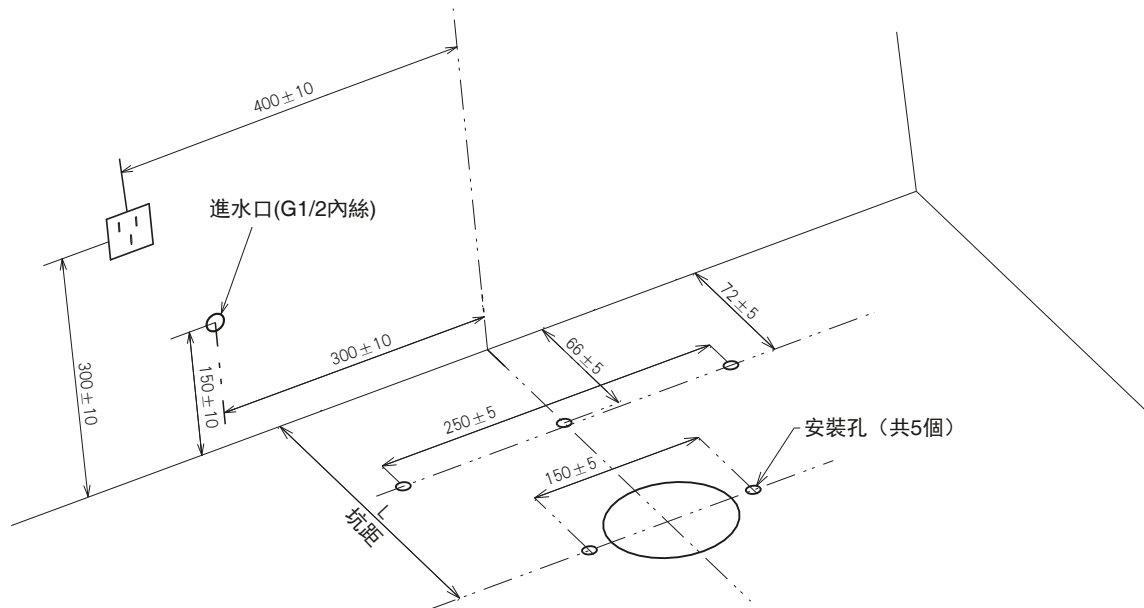


圖5

- C. 1、確定排污口中心點並垂直牆面劃上十字線
2、側放座便器，按陶瓷排污口找出前後左右中心標記，並記於陶瓷外側壁上
3、座便器平穩對準地面上的中心線。記下左右地腳孔的位置

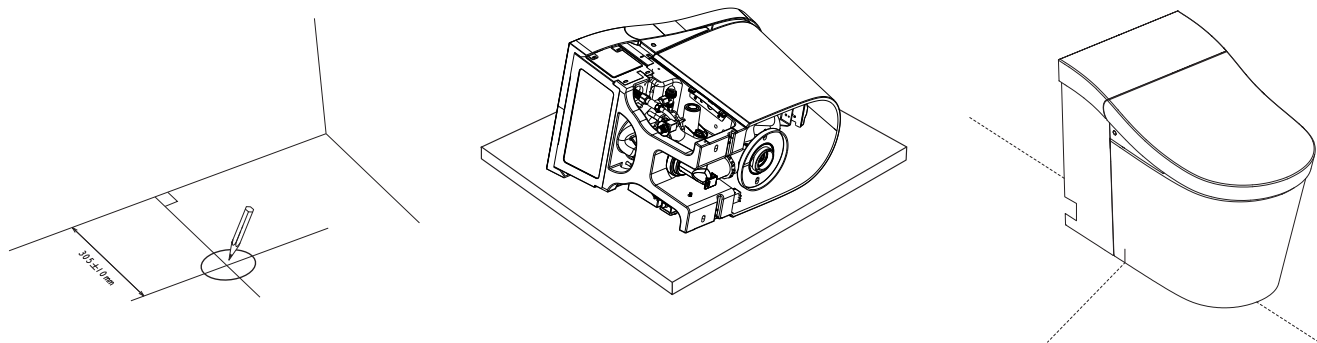


圖6

- D. 鑽五個地腳孔，安裝膨脹塑膠及地腳螺釘(由客戶自行購買)。

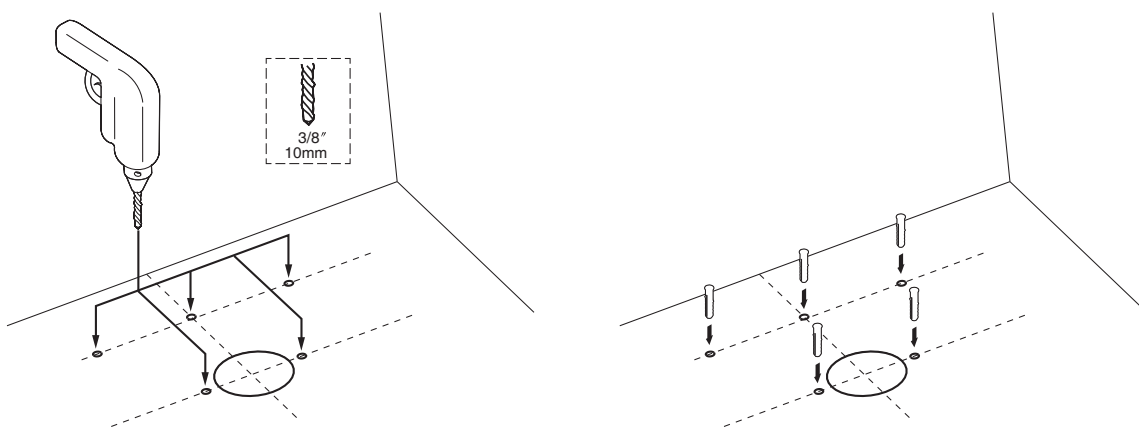
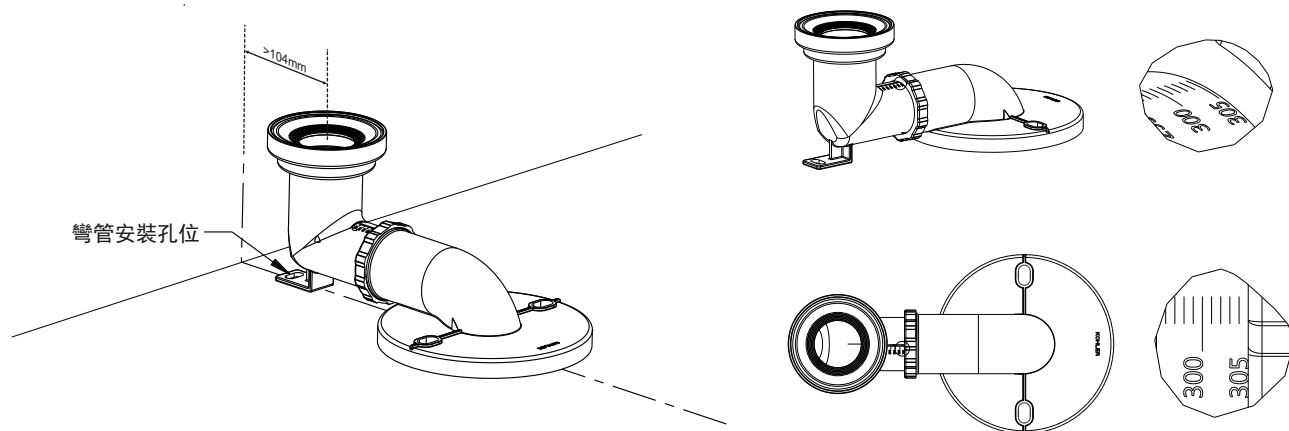


圖7

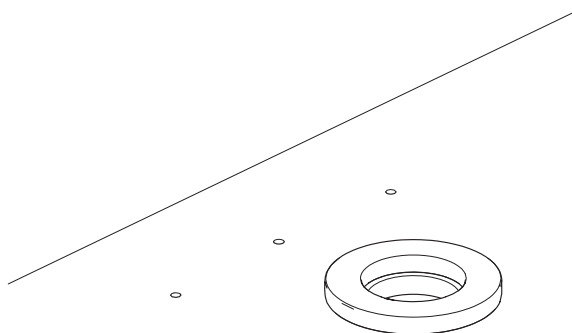
E. 排汗管安裝

- 1、將排汗管拿出，調整使其滿足以下條件：
 - a. 排污口和地面排污口對齊；
 - b. 地面固定孔至各孔對齊；
 - c. 排汗管的上介面中心距牆距離大於104mm。繼而擰緊排汗管上的大螺母。

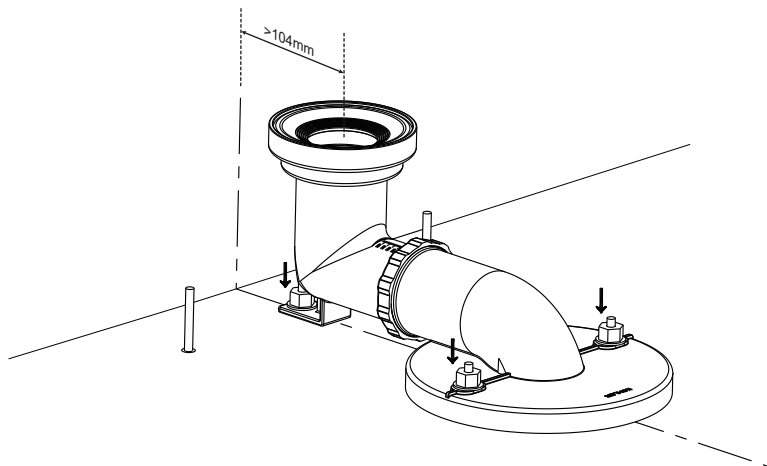
注意：確保地面平整。305mm規格調節範圍277~333mm，400mm規格調節範圍372~428mm，調節完長度，要求螺母為鎖緊狀態，剛拿到彎管進行調節時，先鬆動下螺母，並讓兩段彎管錯位旋轉下再歸位，此時調節比較輕鬆。



- 2、將蠟封中心和地面排污口對齊，放於地面。

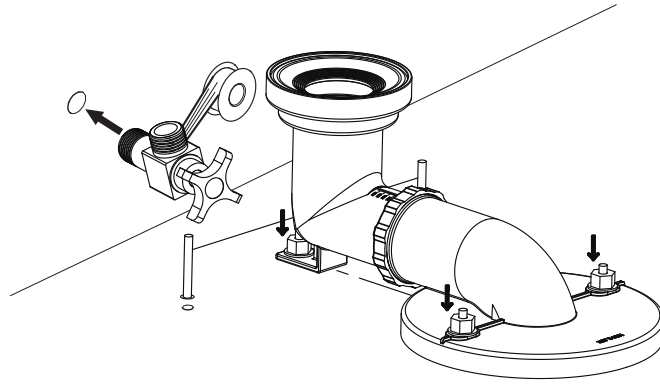


- 3、用3個螺釘和墊片把排汗管固定在地面，並再次確保彎管排污口中心距牆最小距離大於104mm。



F. 角閥安裝

1、將角閥纏繞生料帶後和牆面水孔相連。

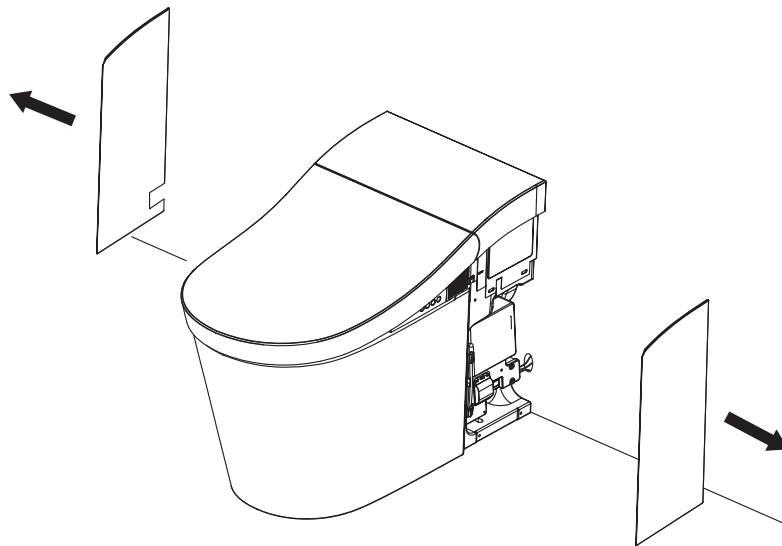


2、角閥的開關方法

順時針為關，逆時針選擇為開。

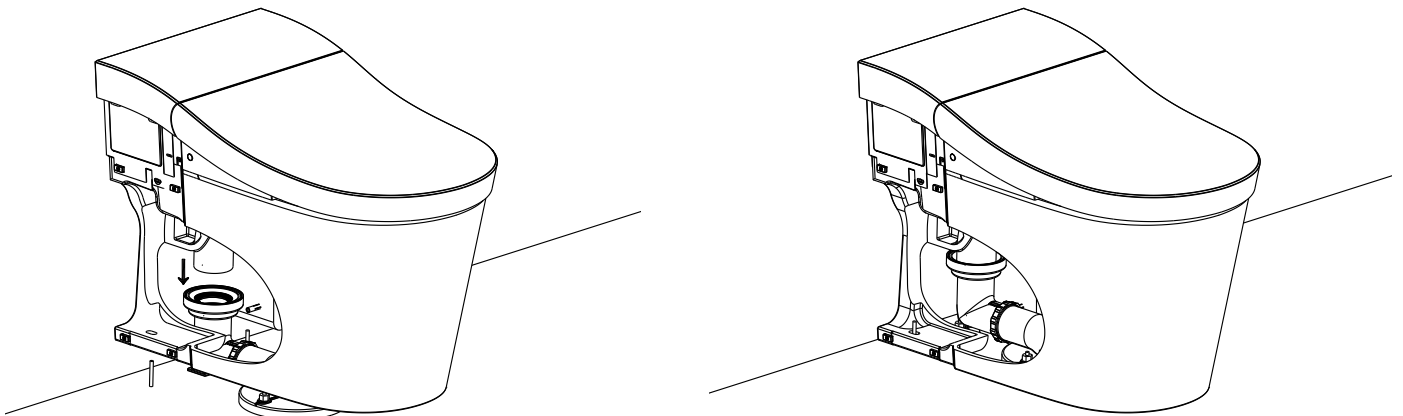
注意：接好角閥之後，請排水至目視清潔為止。

G. 拆下左右側板



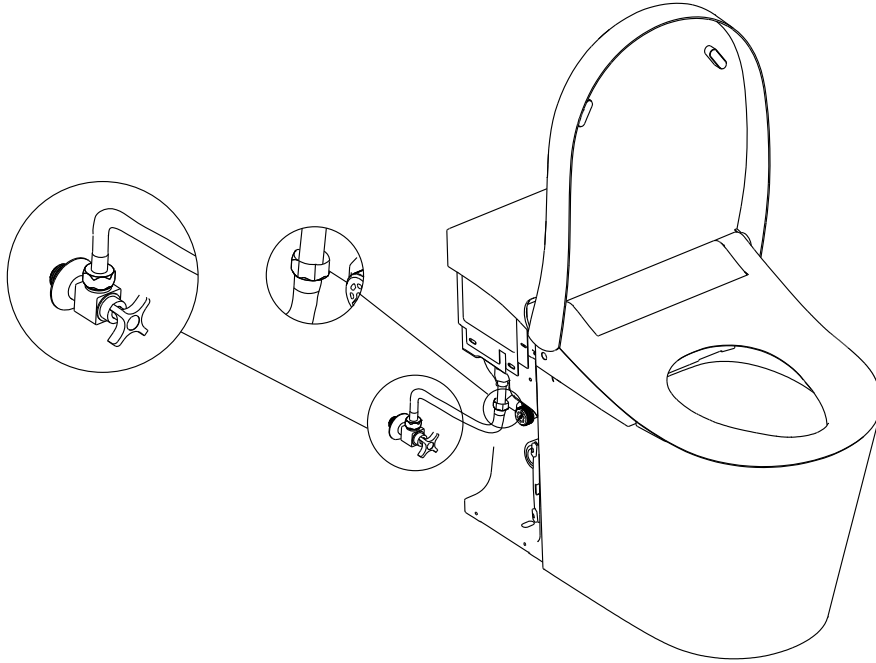
H. 陶瓷外殼安裝

將馬桶提起（需要2個人），使馬桶的軸線和排汙管的中軸線對齊，且馬桶後方貼近牆面，垂直輕輕放至地面。




I. 連接進水


取出附件包中的進水軟管，連接角閥出水口和馬桶進水三通進水口。




J. 電源連接

 危險：存在觸電危險。操作前應切斷電源。

 危險：存在觸電危險。僅適用於插入式安裝/牆面式電源，只可連接至帶接地故障斷路器（GFCI）保護的電路中。勿取走接地插腳，或選擇使用接地適配器。

 警告：產品存在電擊的危險。本產品只可連接到良好接地，電路要求為110V~，60Hz，15A的電路中，此電路必須帶接地故障斷路器或接地漏電斷路器。

 警告：不允許使用延長線。

 警告：不允許使用不帶接地線的插座。（帶電源線類）電源線插上插頭。

K. 通水通電測試

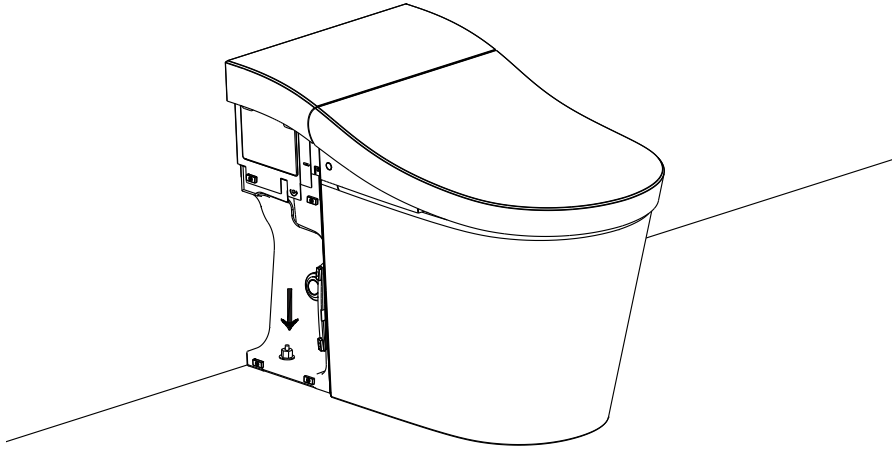
1、安裝後先通水，再通電。

2、打開進水角閥，插上插頭，機器開始進行通水、通電自檢，水箱進水，等聽到“滴”的一聲響，夜燈熄滅，自檢完成，可以使用。具體使用方法參見用戶手冊。

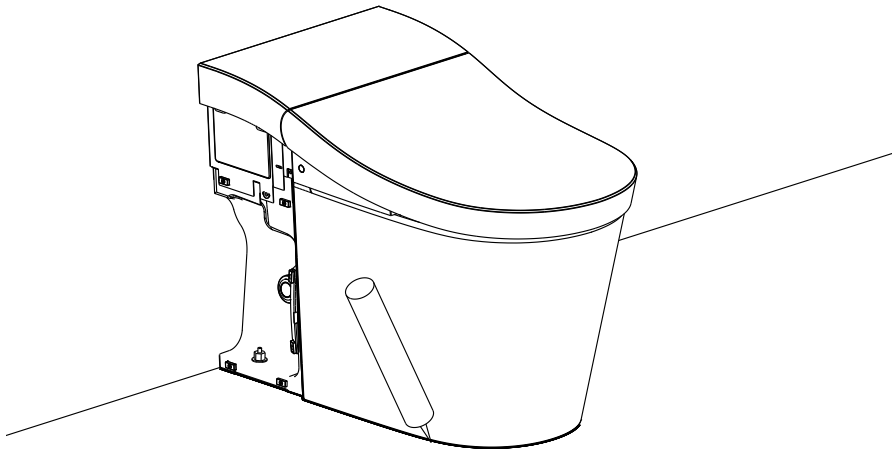
3、參看沖洗通水通電測試手冊進行沖洗，確認沖洗正常。

L. 陶瓷體的固定

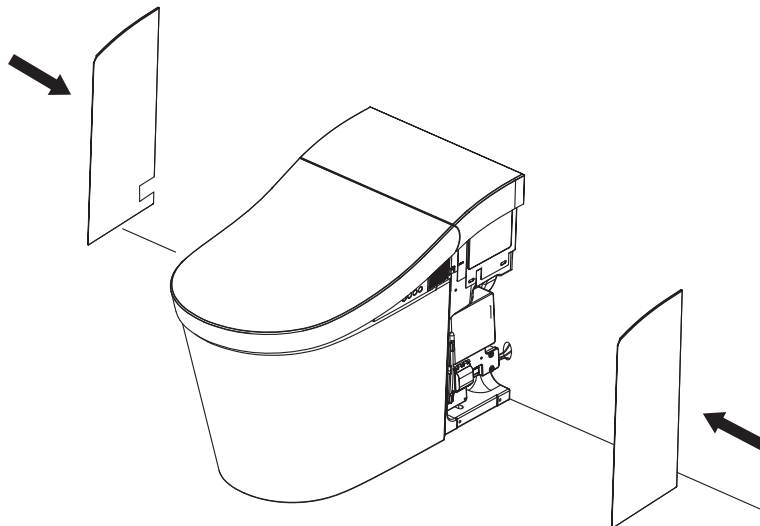
1、使用螺釘將陶瓷體和地面固定。



2、用矽膠給陶瓷周邊塗上矽膠。



3、裝回兩側的側板。



安裝遙控器支架

注意：如果安裝牆面是特定材料（比如木板，密制板等）時，使用合適的固定方法。

注意：遙控器的安裝位置應該是不易被水淋到的地方。

選擇一個合適地方安裝遙控器支架，此處應該是當你坐在座便器上時，很容易用手操作遙控器的地方。

根據遙控器支架螺釘孔的位置，用直徑6mm的鑽頭在牆上鑽兩個深度大於45mm的孔。在孔中裝入膨脹管。

將安裝支架放置在固定孔上。

用螺釘固定安裝支架。

把螺釘蓋裝在螺釘上。

把遙控器放在支架上。

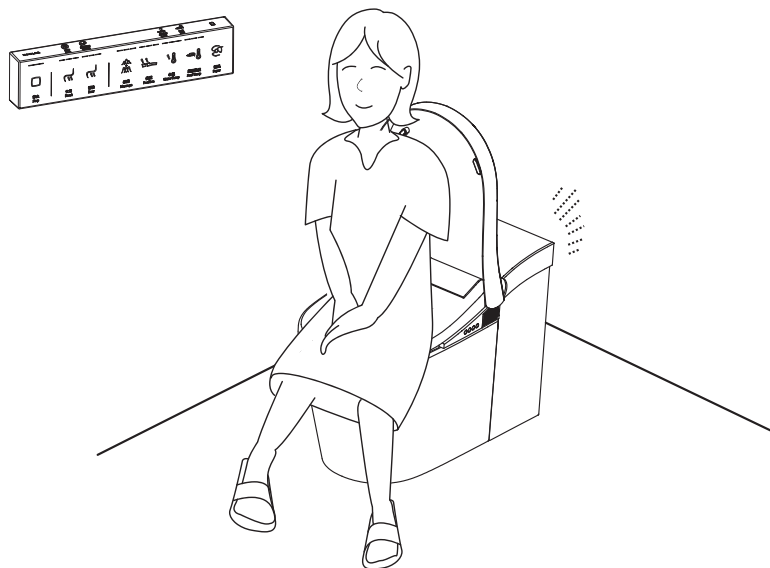
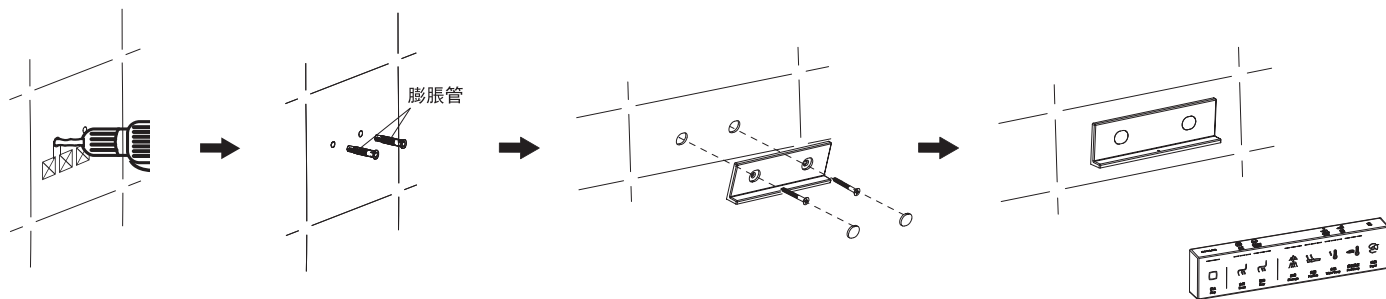


圖18

安裝步驟：



公共場所防遺失安裝方式：

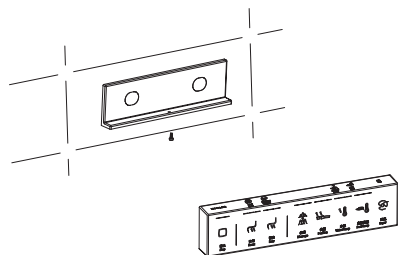


圖19

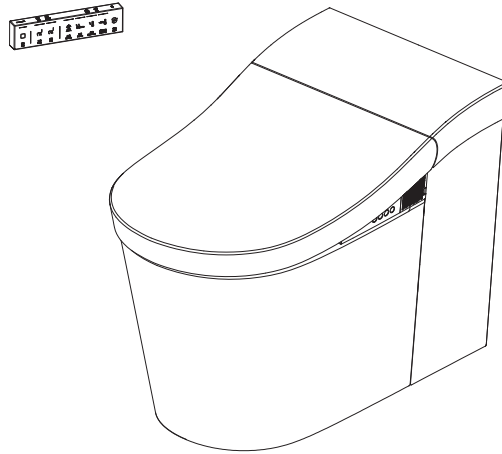


圖20

確認進水閥是否已打開。

確認電源已連接，隱藏版本側面漏保開關處於“on”狀態（詳見使用者手冊第34頁）。

確認遙控器充電座內已正確裝入電池。

確認產品正前方沒有障礙物。

等待主機完成自檢。期間可聽到電機的轉動聲和流水聲，均屬正常。當夜燈閃爍時，自檢結束。

初次使用時為出廠設置狀態：

女性沖洗：

- 水溫：中檔
- 水流強度：中檔
- 沖洗位置：中檔
- 脈衝模式：關

臀部沖洗：

- 水溫：中檔
- 水流強度：中檔
- 沖洗位置：中檔
- 脈衝模式：關

圈溫：中檔

夜燈：開

自動節能：關

自動翻蓋功能：開

微波感應距離：中距離

自動沖水功能：開

自動UV功能：開

自動除臭功能：開

待機模式：關

長時如廁提醒功能：關

以上設置為全功能版本，具體型號的規格差異見產品配置表。

疑難排解

本指南僅作一般說明之用。科勒公司授權的服務代表或者合格電工應當能夠解決所有的電氣問題。如需瞭解擔保服務，請聯繫您當地的經銷商或批發商。

現象	可能原因	建議措施
1. 座便器不工作	A. 停電 B. 插頭未插或者插座無電 C. 電源線插頭上漏電保護開關未重定 D. 產品處於待機狀態	A. 等到電力恢復 B. 插上插頭或者檢測電源插座 C. 按下插頭上的重定按鈕 D. 按一下側面“⊙”按鍵
2. 座便器不沖水	A. 停水 B. 供水角閥關閉 C. 停電 D. 產品處於待機狀態 E. 清洗功能正在使用中 F. 自動沖水功能被禁止	A. 等到恢復供水 B. 打開供水角閥 C. 等待恢復電力或者查看“手動沖洗”部分進行手動沖洗或者用盆盛水沖洗。 D. 按一下側面“⊙”按鍵 E. 待清洗功能完成再進行 F. 查看“遙控器設置指南”部分
3. 座便器沖不乾淨	A. 過濾網阻塞 B. 供水水壓不足	A. 查看“清洗過濾網”部分 B. 檢查角閥是否全部打開，如未全部打開，請打開 C. 檢查進水軟管是否折彎過急，如折彎過急，請調整軟管
4. 清洗功能無法正常使用	A. 停水 B. 供水角閥關閉或者未完全打開 C. 產品處於待機狀態 D. 沒有入座或者當前坐姿無法使座圈感應到 E. 過濾網阻塞 F. 供水水壓不足	A. 等到恢復供水 B. 完全打開供水角閥 C. 按一下側面“⊙”按鍵 D. 請入座或者調整坐姿 E. 查看“清洗過濾網”部分 F. 檢查進水軟管是否折彎過急，如折彎過急，請調整軟管
5. 使用過程中沖洗功能停止工作	A. 連續沖洗5分鐘後沖洗功能自動停止 B. 座圈未感應到人體	A. 如需要，請再次按下沖洗按鍵 B. 變換坐姿或者重新入座
6. 人體未入座時也能使用清洗功能	A. 座圈上有異物覆蓋或者座圈是濕的	A. 移除異物或者擦乾座圈
7. 使用過程中暖風風機停止工作	A. 連續使用暖風功能4分鐘，風機自動停止 B. 座圈未感應到人體	A. 如需要，請再次按下暖風按鍵 B. 變換坐姿或者重新入座
8. 除臭風機不工作	A. 座圈未感應到人體 B. 使用過程中誤按停止鍵 C. 自動除臭功能被禁止	A. 變換坐姿或者重新入座 B. 如需要，請離座2秒後重新入座 C. 查看“遙控器設置指南”部分
9. 不能開關蓋	A. 座圈上有異物覆蓋或者座圈是濕的 B. 便蓋在先前開關過程中受到人為干擾	A. 移除異物或者擦乾座圈 B. 使用遙控器開關便蓋或手動打開便蓋直至正常，便蓋開關過程中不阻擋其開關
10. 不能自動開/關蓋	A. 用戶沒有進入或離開感應區域 B. 遙控器“自動翻蓋”功能被關閉 C. 座便器正在沖水中	A. 請進入或離開感應區域 B. 查看“遙控器設置指南”部分 C. 等待座便器沖水結束
11. 夜燈不亮	A. 夜燈功能被關閉 B. 室內光線太亮	A. 查看“輔助鍵盤功能”中的夜燈部分來打開夜燈功能 B. 請完全遮擋住感光視窗
12. 紫外線殺菌不工作	A. 有人坐在座便器上 B. 座圈上有異物覆蓋或者座圈是濕的	A. 請離座後關閉蓋子再重新開啟紫外線殺菌及關閉座便蓋 B. 移除異物或者擦乾座圈
13. 遙控器無顯示	A. 電池電量耗盡 B. 電池極性裝反 C. 遙控器未有反應	A. 更換新電池 B. 重新正確安裝 C. 靠近座便器或落座

14. 遙控器無法遙控座便器	A. 電池電量不足 B. 遙控器離座便器太遠 C. 座便器本機沒有上電 D. 座便器本體處於待機狀態 E. 座便器與遙控器未連接	A. 查看“遙控器電池的使用及更換”部分來更換電池 B. 查看“遙控器與本機的通訊”部分並靠近座便器 C. 請給本體上電 D. 按一下側面“⊙”按鍵 E. 查看“遙控器與本機的通訊”部分，連接座便器與遙控器
15. 座圈不熱	A. 遙控器的圈溫設置太低 B. 座便器處於待機模式	A. 將圈溫設置到合適檔位 B. 按一下例面的“⊙”鍵

如要檢修此座便器，您必須首先：

扳下漏電保護開關(無電源線版本)。


如有需要，關閉供水閥。

用戶責任


如果你居住地方的水質是硬性，你必須保持沖水孔清潔，令座便器沖水正常。每星期應最少使用座便器清潔劑清潔一次，用長把手的刷子清潔沖水孔，並儘量伸入排汙管洗刷，防止礦物質積聚。

大部分廁所清潔劑都不會損壞座便器表面的釉面陶瓷，但煩請遵照座便器清潔劑生產商指引小心進行。

請勿使用腐蝕性清潔劑或溶劑。

 警告：提防樓宇受損或損壞產品。

科勒公司對此類因使用氯（次氯酸鈣）而引致的沖水裝置損毀，概不負責。

 警告：在安裝本座便器時切勿使用任何凝膠材料（水泥砂漿）。因為凝膠材料（水泥砂漿）的熱膨脹可能使座便器的腳部擠破或損壞。科勒對所有因為凝膠材料（水泥砂漿）安裝而引起的座便器破裂恕不負責。

 警告：提防損壞產品。

請不要向便器內沖入新聞紙、紙尿墊、婦用衛生巾等容易堵塞的物品。請不要用重力撞擊陶瓷，以防止破損漏水。不要在規定的使用環境外使用。

注意：智慧座便器的清洗和維護詳見用戶手冊。

注意：一定要先徹底沖洗供水管以清除管道中的雜質，使用水源為自來水或可供飲用水。