

Airfoil 3-Way Recessed Thermostatic Face Plate
K-98152T-7

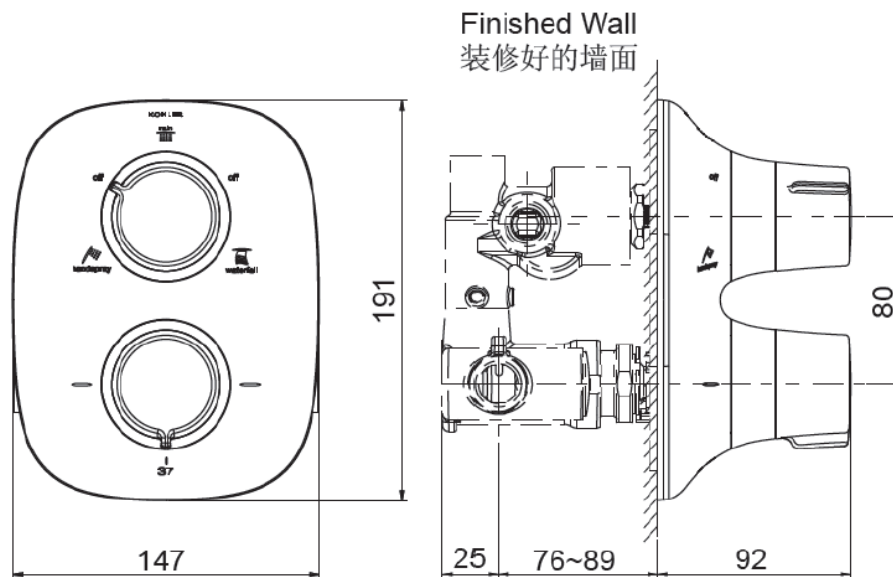
Product Specification:

Model	Note	Finish
K-98152T-7	Required to match with 98150T-NA 3-Way Recessed Thermostatic Valve	(-CP)

Product Dimension:

Reference Value
参考值

UNIT: mm
单位: 毫米



K-98152T-7

Please note that the above information are subject to change without notice.