

Features

- Digitally controlled thermostatic mixing valve.
- For use with DTV+ system.
- Anti-scald protection.
- Six independently controllable 1/2" NPT outlets.
- 3/4" NPT inlets.
- Maximum flow rate of 21 gpm (10 gpm maximum flow from one outlet).
- Includes filter screens.
- Crossflow prevention.
- High-temperature limit setting for additional protection.

Installation

- Suitable for use in either showering and/or bathing applications.
- Can be mounted within a standard 2x4 wall cavity.
- Includes 110v AC power supply.
- K-97172-NA Data Cable sold separately.

Required Accessories

K-99693-P Digital Interface
K-99694 Interface Mounting Bracket
K-99695 System Controller Module

or

K-99693-P Digital Interface
K-99694 Interface Mounting Bracket
K-99695-E Eco System Controller Module

Recommended Accessories

K-97172 Data Cable For K-682-K Digital Valve

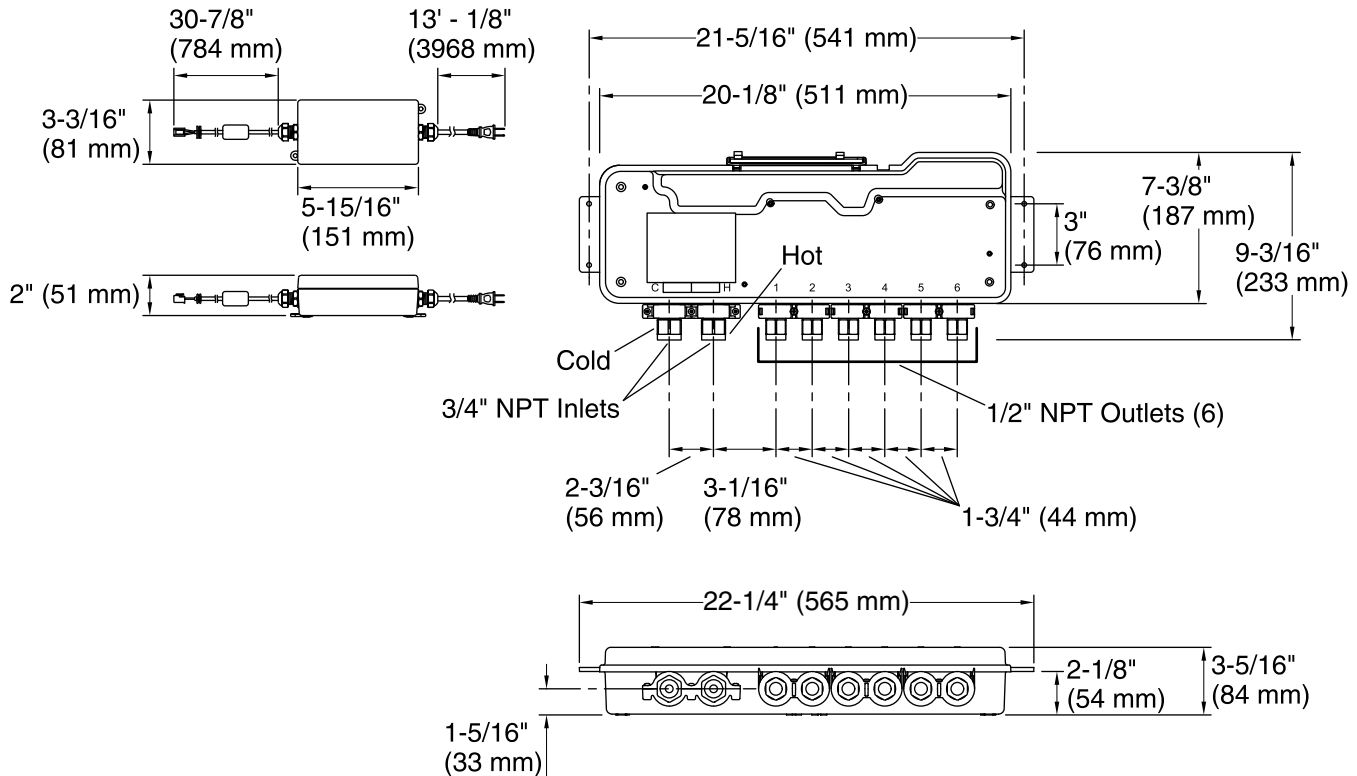


Codes/Standards

ASME A112.18.1/CSA B125.1
ASSE 1016/ASME A112.1016/CSA B125.16
UL 1951
CSA C22.2 No. 14
CSA C22.2 No. 68

KOHLER® Electronic Faucets, Valves, and Controls Five-Year Limited Warranty

See website for detailed warranty information.



Technical Information

All product dimensions are nominal.

Notes

Install this product according to the installation instructions.

This valve should be used in shower systems only and is not intended to be connected to bath spouts unless installed in a DTV-Bath system.

Provide access for servicing valve.

Use 3/4" supply lines for optimum performance.

A hot water system equal to 80 gallons (102 L) is recommended.

Pressure regulators are strongly recommended in applications where large pressure swings are anticipated or pressure differences between the supplies exist.

Water hammer arrestors and shut-offs are required in both the hot and cold supplies.

Drain requirements: The maximum flow rate of the valve system is 21 gal/min (79.5 l/min) at 45 psi (310.3 kPa). Use a minimum 3" (76 mm) single drain, minimum 2" (51 mm) multiple drains, or a drain system capable of handling the maximum flow rate.