

Features

- Digitally controlled.
- High-temperature limit setting for added safety.
- One touch control of two valve outlets.
- Mounts on finished wall surface.
- Interface includes a 20 ft (6.1 m) cable.
- Low profile design.
- Selectable water-saving functionality.
- Selectable Fahrenheit or Celsius.
- Selectable outlet delivery.

Required Accessories

K-528-K Two-Port Digital Thermostatic Valve



Codes/Standards





UL 1951
CSA C22.2 No. 14
CSA C22.2 No. 68

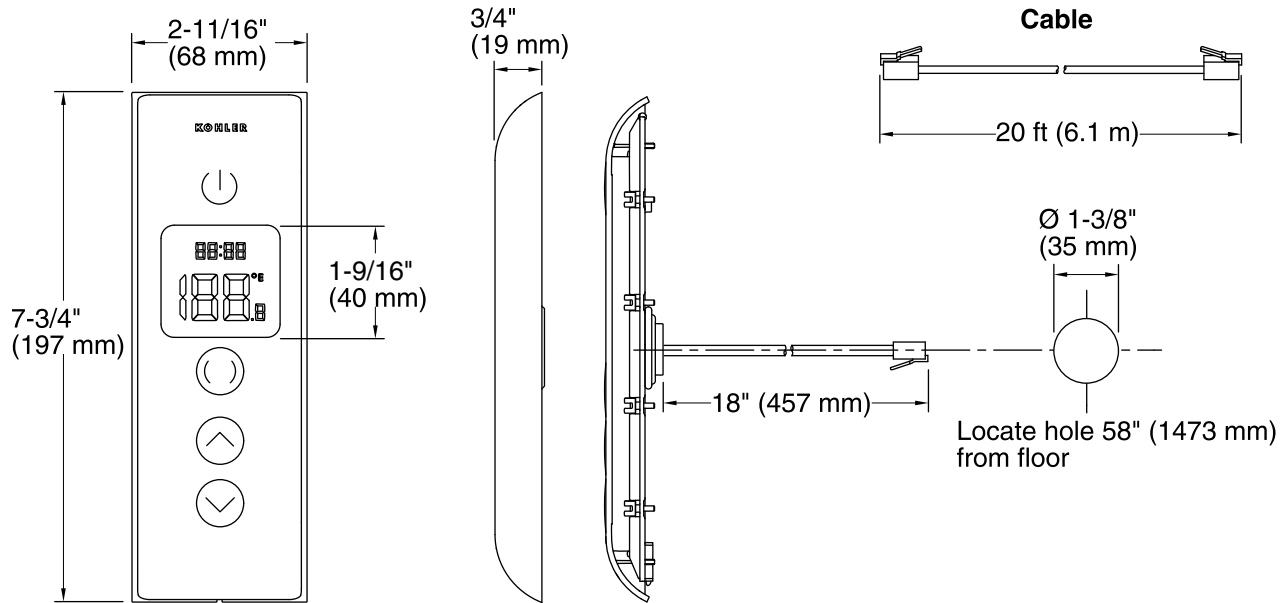
KOHLER® Electronic Faucets, Valves, and Controls Five-Year Limited Warranty

See website for detailed warranty information.

Available Color/Finishes

Color tiles intended for reference only.

Color	Code	Description
	1CP	Satin Chrome with Polished Chrome
	1SN	Satin Nickel with Polished Nickel
	0	White
	7	Black Black™



Technical Information

All product dimensions are nominal.

Notes

Install this product in accordance with the installation instructions.

Recommended installation height 58" (1473 mm) from floor to center of interface.