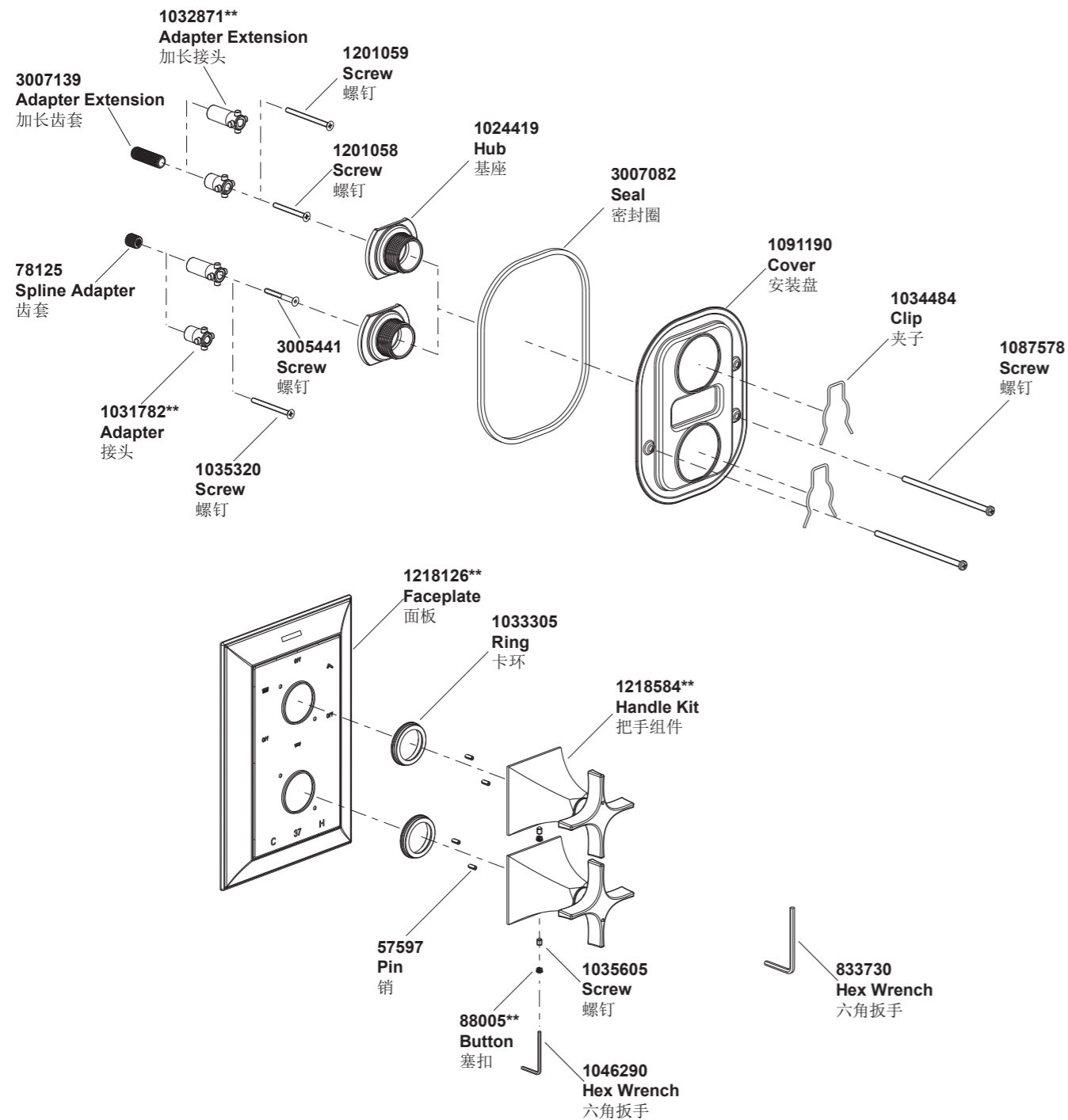


98967T-3S 入墙式三路出水恒温面板



**订购时请说明颜色编号
**Color code must be specified when ordering

98967T-3S 入墙式三路出水恒温面板

安装之前

所有的资料是按最新出版的产品资料编写而成。科勒公司保留任何时候不经通知即可改变产品特性、包装或产品可供类型的权利。

说明书包括重要的安装、保养及清洁方面的内容，请把这些资料交给用户阅读。

注意事项：

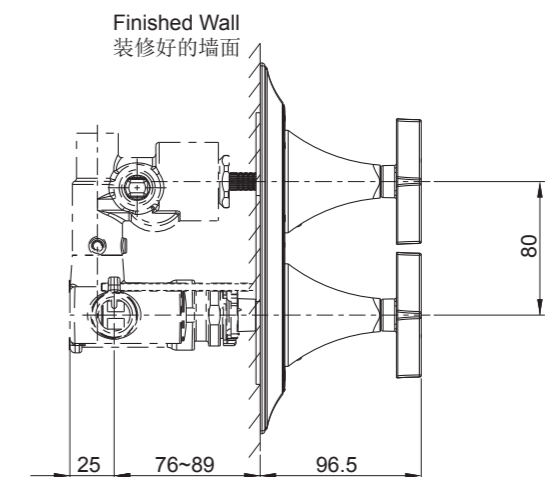
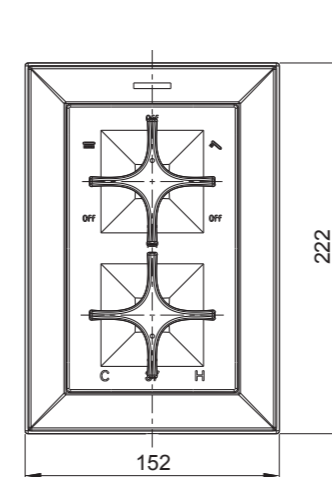
1. 在说明书所指示的恰当时候，拿掉阀芯保护套。
2. 参照98967T-3S安装尺寸安装阀体98150T。

使用说明

慢慢地旋转下方的温控把手来调整温度。安全限位温度为40°C。如果想得到更高的温度，通过旋转温控把手调整。

水流是通过上方的切换把手来控制。当把手上的圆点与面板“OFF”标记对齐时，水流截止。顺时针或逆时针旋转把手以切换到雨淋、浴缸出水口或手持花洒出水。

安装尺寸



BEFORE YOU BEGIN

All information is based on the latest product information available at the time of publication. Kohler Co. reserves the right to make changes in product characteristics, packaging, or availability at any time without notice.

Please leave these instructions for the consumer. They contain important information.

NOTES:

1. Do not remove the plaster guard from the valve body until instructed to.
2. Install valve 98150T according to the rough-in dimensions of 98967T-3S.

OPERATION INSTRUCTION

The temperature is set by slowly turning the temperature handle at underside. For safety reasons, there is a stop that limits temperature to 40°C. To get a higher temperature, continue turning the temperature handle.

Water flow is set by turning the top diverter handle. When the round dot on handle aligns with the mark 'OFF' on faceplate, water flow is blocked. Turn handle clockwise or counter-clockwise to divert rain, waterfall or handspray.

ROUGH-IN DIMENSIONS

安装步骤

注意： 参照98967T-3S安装尺寸安装阀体98150T。

墙面装修好后，拿掉保护套(1)，关闭供水水源。

注意： 将流量阀芯(2)阀轴(3)上的黑线对准阀芯上的圆点标记。温控阀上的圆点标记与弧形凸起中心对正。安装过程中不要转动阀轴。

将齿套(5, 6)分别套入阀轴(3, 4)，根据需要，选择接头(7)或加长接头(8)，(**注意：**使凸起处于垂直位置)，同时选择相配的螺钉(9, 10)或(11, 12)来固定。将安装盘组件(13)如图所示的方向装入阀体，后推直至与墙面接触。用螺钉(14)固定安装盘组件。

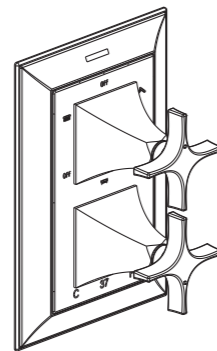
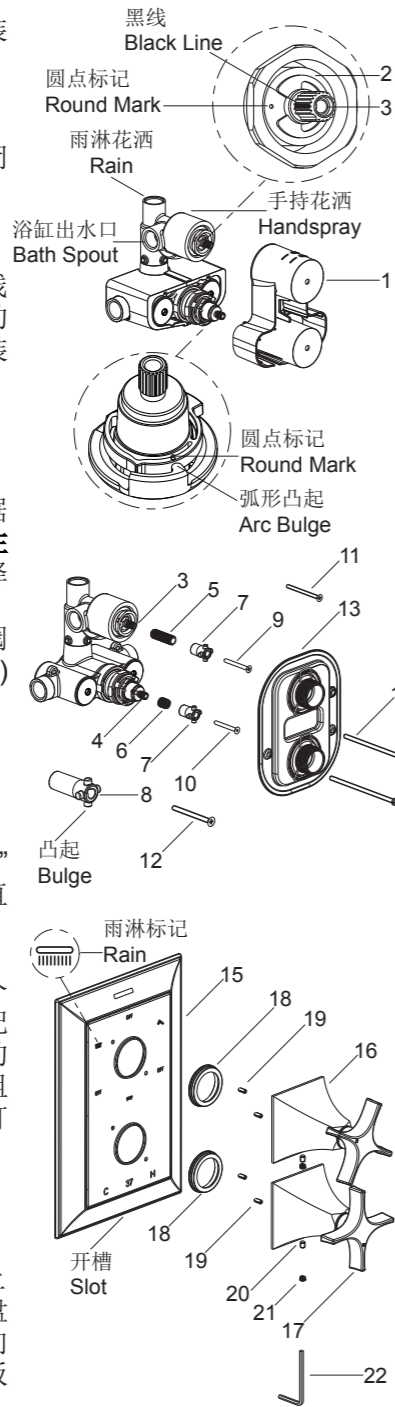
将面板(15)套在阀体上，使“KOHLER”标志在上方，开槽向下。将其后推直至与墙面接触。

旋入卡环(18)，保持把手(16)上的两个销子(19)对准面板上的两个销孔，使把手上带圆点的一端指向面板左上方的雨淋标记。将把手组件装到安装盘组件。用六角扳手(22)旋入并锁紧螺钉(20)，塞入塞扣(21)。

保持把手(17)上的两个销子对准面板上的两个销孔，将把手组件装到安装盘组件，并使把手上带圆点的一端指向面板上的数字“37”标记。用六角扳手旋入并锁紧螺钉，塞入塞扣。

注意： 避免销子脱落丢失。

转动上把手使带圆点的一端对准面板正上方“OFF”标记，把手安装后的状态如图所示。



INSTALLATION

NOTE: Install valve 98150T according to the rough-in dimensions of 98967T-3S.

Remove the plastic guard(1) after completed the finished wall. Shut off the water supplies.

NOTE: Align the black line of the valve shaft(3) to the round mark on the flow valve(2). Align the round mark on the thermostatic valve to the arc bulge. Ensure do not turn the valve shaft when performing the installation .

Put the spline adapters(5, 6) onto the valve shafts(3, 4). Choose adapters(7) or adapter extensions(8) according to requirement. (**NOTE:** Keep the bulge of them in vertical position). Select matched screws(9, 10) or (11, 12) to secure them. Slide the cover kit(13) onto the valve kit as shown. Push it against the wall. Secure it with screws(14).

Slide the faceplate(15) onto the valve kit with the mark 'KOHLER' above and solt downwards. Push it against the wall.

Screw rings(18). Keep the pins(19) on handle kit(16) aligning with the pin holes on faceplate. Keep the branch with dot of handle pointing to mark 'rain' on the upper left of faceplate. Install the handle kit on the cover kit. Screw and tighten screw(20) with hex wrench(22). Press on the plug button(21).

Keep the pins on handle kit(17) aligning with the pin holes on faceplate, install the handle kit on the cover kit, keep the branch with dot of handle pointing to number '37' on the faceplate. Screw and tighten another screw with hex wrench. Press on plug button.

NOTE: Don't lose the pins.

Turn the handle, keep the branch with dot of handle pointing to mark 'OFF' on the faceplate. The illustration shown is the correct position of the handles after installed.

维护与保养

清洗滤网

若供水的水质过硬或长时间使用，滤网会被堵塞，降低出水量，需要对温控阀体和单向阀过滤组件的滤网进行清洗维护。

关闭供水系统。使流量阀处于雨淋位置。然后再进行温控阀的拆卸作业。温控阀是较敏感的配件，所以要十分小心。

拆卸前确保把手(16)与面板上的数字"37"标记对齐。

注意： 确保拆卸过程中，不要转动阀轴(3, 4)。

小心取下塞扣(21)，用六角扳手旋松螺钉(20)，取下把手组件(16, 17)。旋松卡环(18)，取下面板(15)。松开螺钉(14)，取下安装盘组件(13)。将螺钉(9, 10或11, 12)、接头(7)或加长接头(8)和齿套(5和6)留在阀轴(3, 4)上。

参照98150T的说明书，对温控阀体和单向阀过滤组件的滤网进行清理。

清洗完毕后，确认流量阀处于雨淋工作状态。按前述方法装回各件。

清洗说明

适用于所有加工处理过的表面：以中性肥皂水清洗镀层表面，再以干净的软布彻底擦干整个表面，许多清洁剂，比如氨水、去污粉及洁厕灵等，会对电镀表面造成伤害，切忌使用。

有磨损性的清洁用具或清洁剂也不可适用于科勒牌的水龙头及其配件上。

CARE AND MAINTENANCE

Clean Filters

Very hard water can obstruct the filters and reduce the flow of water. Please clean the filters for thermostatic valve and check valve & filtration kit.

Shut off the water supplies of the faucet. Adjust the flow valve to make rain work. Then proceed to uninstall the cartridge. The cartridge is sense organ, please be careful.

Make sure the handle kit(16) aligned with the number '37' on faceplate before your action.

NOTE: Ensure do not turn the valve shafts(3, 4) when disassemble it.

Carefully remove the plug button(21). Loosen the screws(20) with hex wrench. Unscrew the handle kits(16, 17). Unpack the rings(18) and faceplate(15). Loosen the screws(14), and unpack the cover kit(13). Retain the screws(9, 10 or 11, 12), adapters(7) or adapter extensions(8) and spline adapters(5, 6) on the valve shafts(3, 4).

Clean the filters for thermostatic valve and check valve & filtration kit according to installation instruction of 98150T.

After cleaning, ensure the rain is working. Reinstall them according to the process in previous page.

