

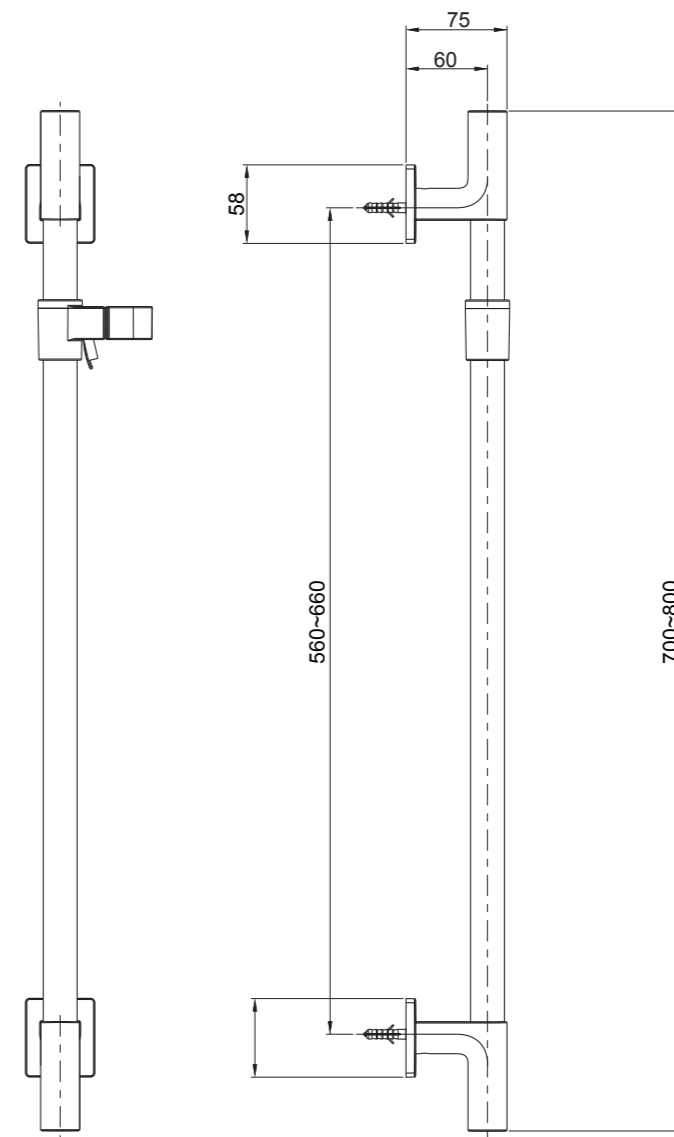
### 98342T Slidebar 24"

#### BEFORE YOU BEGIN

All information is based on the latest product information available at the time of publication. Kohler Co. reserves the right to make changes in product characteristics, packaging, or availability at any time without notice.

Please leave these instructions for the consumer. They contain important information.

#### ROUGH-IN DIMENSIONS



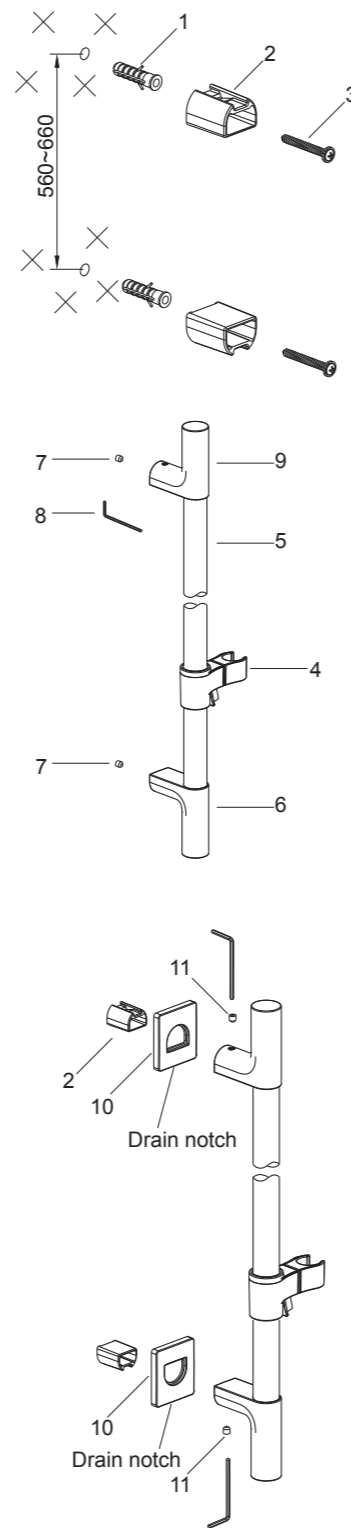
## INSTALLATION

Decide on a suitable position for the slide bar avoiding buried cables and pipes in the wall.

Drill two holes at the proper height in the wall as the anchors(1) diameter and rough-in dimensions. Put anchors into the holes. Install the upper and lower base(2) with screw(3) in the wall.

Place the bar(5) into the upper slide bar body(6). Install the screw(7), tighten them by hex wrench(8). Slide the handshower holder(4) onto the bar. The height of handshower holder can be adjusted by pressing the pinch cock and sliding up and down. Adjust it to the proper position. Tighten the lower slide bar body(9) with screws(7) according to the rough-in dimensions. Make sure the directions of the upper and lower slide bar body are consistent.

Slide the bracket escutcheons(10) onto the bases(2), confirm the drain notches of the escutcheon are pointed down. Install the whole slide bar onto the bases. Tighten the screws(11) by hex wrench to secure the slide bar.

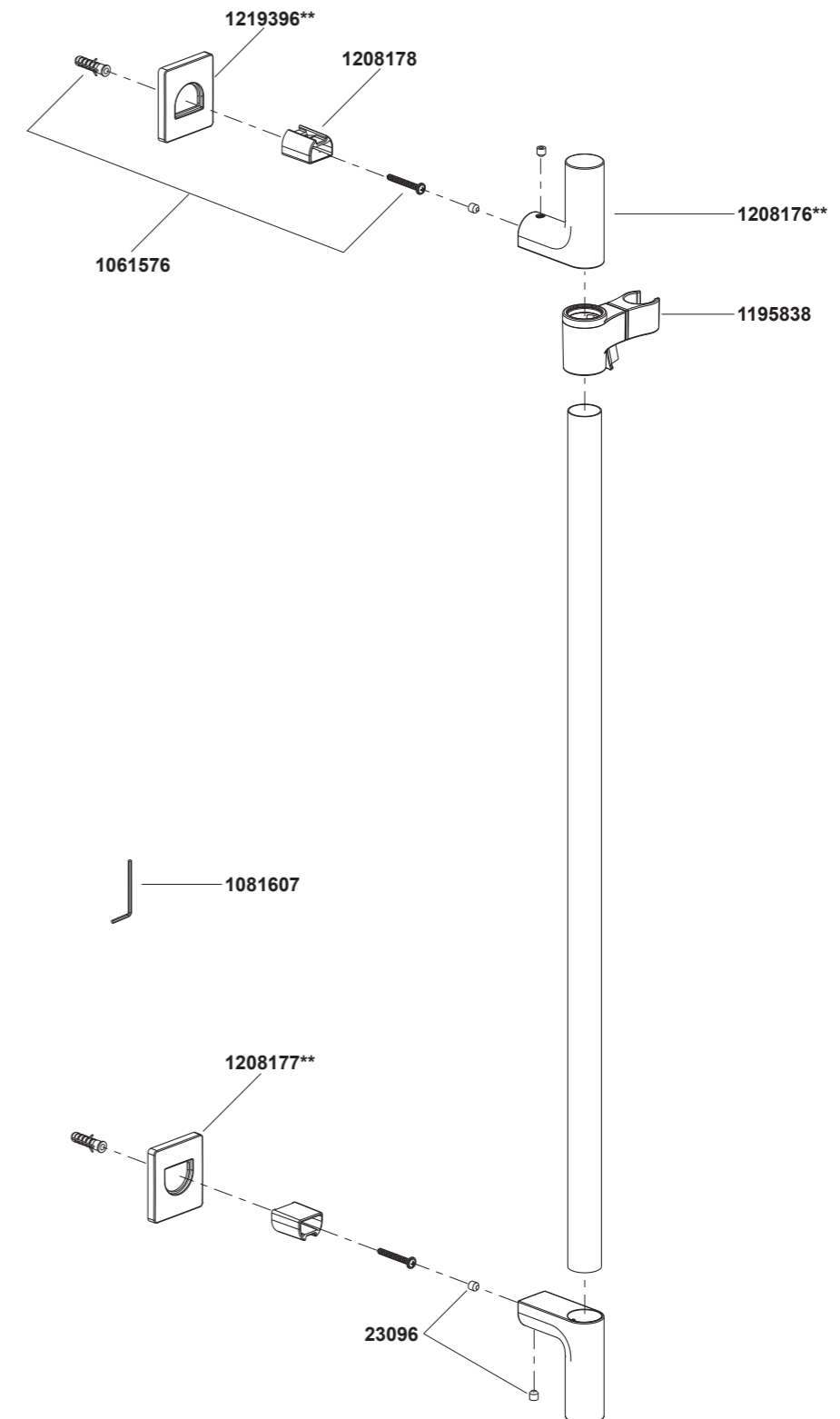


## CLEANING INSTRUCTIONS

All Finishes: Clean the finish with mild soap and warm water. Wipe entire surface completely dry with clean soft cloth. Many cleaners may contain chemicals, such as ammonia, chlorine, toilet cleaner etc, which could adversely affect the finish and are not recommended for cleaning.

Do not use abrasive cleaners or solvents on Kohler faucets and fittings.

## 98342T Slidebar 24"



\*\*Color code must be specified when ordering.