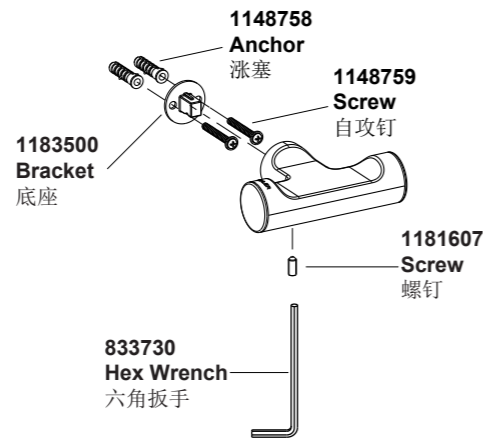
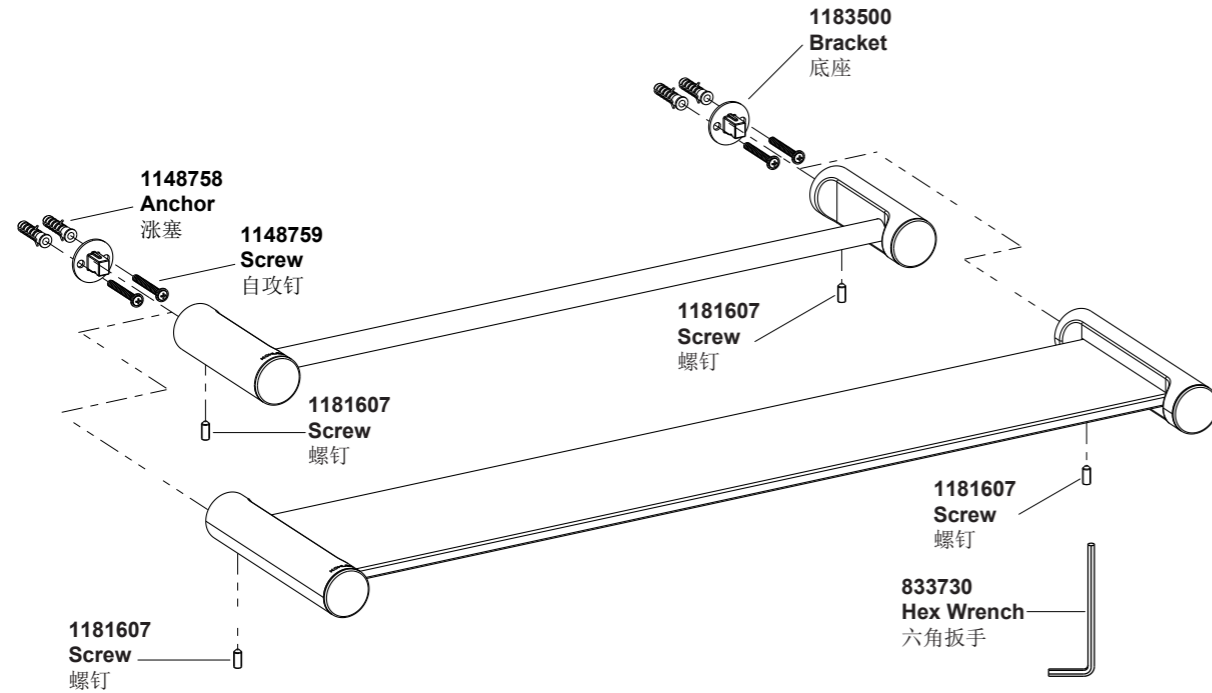


- 9314T 18"毛巾杆
- 9315T 24"玻璃置物架
- 9317T 双衣钩



**订购时请说明颜色编号
 **Color code must be specified when ordering

- 9314T 18"毛巾杆
- 9315T 24"玻璃置物架
- 9317T 双衣钩

安装之前

所有的资料是按最新出版的产品资料编写而成。科勒公司保留任何时候不经通知即可改变产品特性、包装或产品可供类型的权利。

说明书包括重要的安装、保养及清洁方面的内容，请把这些资料交给用户阅读。

注意事项：
 本产品为水泥墙面安装或木墙面安装。若安装在其他表面可能影响产品性能。

危险警告：(人身伤害)
 本产品不能作为扶手等支撑物使用，请勿将产品安装在可能被误认为扶手等支撑物的位置。

BEFORE YOU BEGIN

All information is based on the latest product information available at the time of publication. Kohler Co. reserves the right to make changes in product characteristics, packaging, or availability at any time without notice.

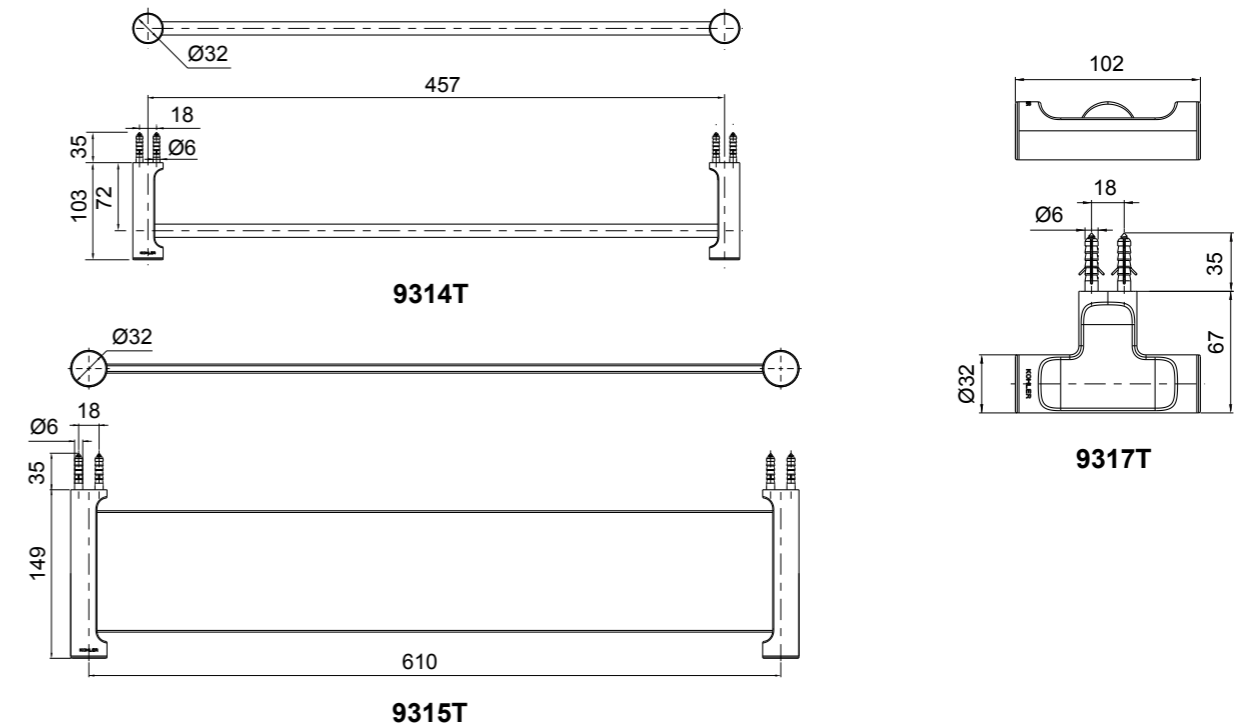
Please leave these instructions for the consumer. They contain important information.


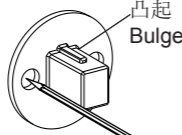
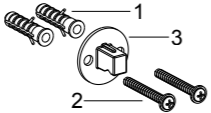
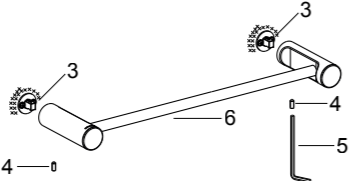
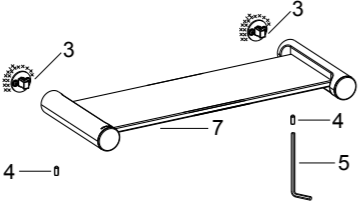
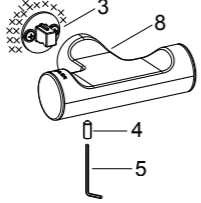
NOTE:
 These products should be located and mounted to a wall. While it is possible to mount them to any surface, a stud or concrete mounted product will yield the best results.

DANGER: (Risk of personal injury)
 These products are not designed or intended for use as a grab bar or support bar. Do not install any of these products in any area where they are likely to be used inadvertently as a grab bar or support bar.

安装尺寸

ROUGH-IN DIMENSIONS



安装步骤	INSTALLATION
<p>如何安装底座</p> <p>仅对于9314T/9315T</p> <p>如图Fig.1所示，在垂直面的墙壁上找一个合适的位置粘贴模板，确保模板水平。根据胀塞直径钻孔。</p>  <p>仅对于9317T</p> <p>在垂直面的墙壁上，选择一个合适的位置用于安装底座。</p> <p>如图Fig.2所示，在墙壁上标记胀塞(1)安装孔位置，确保底座(3)两安装孔水平。根据胀塞直径钻孔。</p>  <p>对于所有产品</p> <p>将胀塞(1)塞入孔中，用自攻钉(2)固定底座(3)，并确保底座的凸起朝上。</p> 	<p>How To Install The Bracket</p> <p>Only For 9314T/9315T</p> <p>As Fig.1 shown, Select a location on the vertical wall to stick the templet, ensure the templet level. Drill holes in the finished wall as required.</p> <p>Only For 9317T</p> <p>Select a location on the vertical wall to install the bracket.</p> <p>As Fig.2 shown, Mark anchor(1) mounting hole locations on wall as shown, ensure two screw holes of bracket(3) are level. Drill holes in the finished wall as required.</p> <p>For All Products</p> <p>Press the anchor(1) into the holes. secure the bracket(3) with the self-tapping screws(2), make sure the bulge on the bracket upwards.</p>
<p>如何安装毛巾杆</p> <p>将毛巾杆组件(6)的连接杆装到底座(3)上，保持连接杆的螺钉孔向下，用六角扳手(5)锁紧螺钉(4)，固定毛巾杆组件。</p> 	<p>How To Install The Towel Bar</p> <p>Slide the extension of towel bar kit(6) onto the bracket(3). Orient the screw hole of the extension downwards. Tighten the screw(4) with the hex wrench(5) to secure the towel bar kit.</p>
<p>如何安装玻璃置物架</p> <p>将玻璃置物架组件(7)的连接杆装到底座(3)上，保持连接杆的螺钉孔向下，用六角扳手(5)锁紧螺钉(4)，固定玻璃置物架组件。</p> 	<p>How To Install The Glass Shelf</p> <p>Slide the extension of glass shelf kit(7) onto the bracket(3). Orient the screw hole of the extension downwards. Tighten the screw(4) with the hex wrench(5) to secure the towel bar kit.</p>
<p>如何安装双衣钩</p> <p>将双衣钩组件(8)装到底座(3)上，保持双衣钩的螺钉孔向下，用六角扳手(5)锁紧螺钉(4)固定双衣钩。</p> 	<p>How To Install The Double Robe Hook</p> <p>Slide the double robe hook kit(8) onto the bracket(3). Orient the screw hole of the double robe hook downwards. Tighten the screw(4) with the hex wrench(5) to secure the double robe hook.</p>

安装结果检查	INSTALLATION CHECKOUT
检查并确保所有连接处已锁紧。	Ensure that all connections are tightened.
清洗说明	CLEANING INSTRUCTIONS
<p>适用于所有加工处理过的表面：以中性肥皂水清洗镀层表面，再以干净的软布彻底擦干整个表面，许多清洁剂，比如氨水、去污粉及洁厕灵等，会对电镀表面造成伤害，切忌使用。</p> <p>有磨损性的清洁用具或清洁剂也不可适用于科勒牌的水龙头及其配件上。</p>	<p>All Finishes: Clean the finish with mild soap and warm water. Wipe entire surface completely dry with a clean soft cloth. Many cleaners may contain chemicals, such as ammonia, chlorine, toilet cleaner etc. Which could adversely affect the finish and are not recommended for cleaning.</p> <p>Do not use abrasive cleaners or solvents on Kohler faucets and fittings.</p>