


BEFORE YOU BEGIN

安装之前


A. Introduction

- Please read these instructions carefully to familiarize yourself with the required tools, materials, and installation sequences. Follow the sections that pertain to your particular installation. This will help you avoid costly mistakes. In addition to proper installation, read all operating and safety instructions.
- All information is based on the latest product information available at the time of publication. Kohler Co. reserves the right to make changes in product characteristics, packaging, or availability at any time without notice.
- These instructions contain important care, cleaning, and warranty information-**please leave these instructions for the consumer.**

B. Installer Hazard Notification

-  **CAUTION!!** Risk of personal injury. Cast iron baths are extremely heavy, and need at least 3 persons for help. Wear appropriate safety equipment when installing these products.

C. The following instructions must be followed to avoid any potential damage to the surface of the enamel.


-  **CAUTION!!** The surface of the enamel will be damaged if the following instructions are not followed.

- Keep sharp-ended objects or tools away from the bathtub during transportation.
- Cover the edge and bottom of the bath with transparent plastic cloth to protect it from being spotted by dirt and silicon during installation.
- Install the bath at the proper position.


A. 引言

- 请仔细阅读此说明书以熟悉所需要的工具、材料及安装顺序。遵循适合您的特定安装要求的各项内容，避免昂贵的损失。除了要正确安装外，还应阅读操作及安全说明。
- 所有的资料是按最新出版的产品资料编写而成。科勒公司保留任何时候无须通知即可改变产品特性、包装或产品可供类型的权利。
- 安装说明包括重要的安装、清洁及保养方面的内容，请把这些资料交给用户阅读。

B. 安装人员危险警告

-  小心!! 避免人员受伤。铸铁浴缸非常重，需要至少3人协助完成。在安装时一定要穿戴合适的安全装备。

C. 必须遵守下列具体安装要求，以避免引起对搪瓷表面任何潜在的损坏：

-  警告!! 如果不按照厂家要求的安装方法执行，将会造成搪瓷表面的损坏。

- 在搬运浴缸时，特别是在浴缸边缘附近，切勿使用尖锐的物体或工具。
- 在浴缸边缘及底部盖一层透明塑料布，以防止在安装过程中，污垢及硅胶粘在浴缸上。
- 将浴缸安置在正确的位置上。

PRODUCT REQUIREMENTS

产品要求

A. Summary Of Key Requirements

- Observe all local plumbing codes.
- Install the bath tub to a level floor.
- Provide properly-dimensioned space.
- Ensure that the drain locates within the range of the bath outlet (300 × 300mm).
- Make sure the flooring offers adequate support for your bath.
- Observe all local plumbing and building codes.

B. Product Inspection

- Uncrate and inspect bath for damage. Leave all materials in the crate during construction to prevent damage.
- Carefully open the apron and remove the components and hardware pack. Inspect all the apron for damage.
- If you observe any damage, do not install the bath or the apron. Report the specific problem to your dealer.

A. 关键要求的总结

- 请遵守当地的管道施工规范。
- 在水平地面上安装浴缸。
- 提供适当的空间以安装浴缸。
- 确保地面排水的位置在浴缸出水尾管范围内(300 × 300毫米)。
- 确保安装地面为您的浴缸提供足够的支撑。
- 遵守当地所有给排水和建筑规定。

B. 产品检查

- 小心地打开包装箱并检查浴缸是否损坏。施工期间将所有的材料都留在箱内，以防止损坏。
- 小心地打开裙板包装箱并检查其是否损坏，取出组件及五金配件包。小心检查裙板是否损坏。
- 如果观察到任何损坏，请勿安装浴缸或裙板。将问题告知经销商。

INSTALLATION REQUIREMENTS

安装要求

A. Tools And Materials Required (Not Supplied)

- Safety glasses
- Tape measure
- Pencil
- Level
- Blade screwdriver
- Phillips screwdriver
- Pliers
- Sealant
- Square
- Knife
- Conventional woodworking tools and materials
- Drop cloth 2 × 4's or 2 × 6's
- Water-resistant wall material
- Metal shims
- Adjustable wrench
- Hex wrench
- Rags

B. Clearance Requirements

Check the rough-in and room dimensions to provide adequate available space for the bath unit.

A. 所需工具及材料(不随货供应)

- 防护眼镜
- 卷尺
- 铅笔
- 水平尺
- 一字螺丝刀
- 十字螺丝刀
- 老虎钳
- 密封胶
- 直尺
- 美工刀
- 木工常用工具和材料
- 罩单 2x4英尺或2x6英尺
- 防水墙面材料
- 金属薄垫片
- 活动扳手
- 六角扳手
- 抹布

B. 预留尺寸

检查产品尺寸及浴室尺寸，确保有充分的空间安装浴缸。

SITE REQUIREMENTS

A. Old Bath Removal (if necessary)

B. Preparation

Note: Adequate floor support must be provided. Refer to roughing-in sheet packed with your bath for specific floor loading requirements.

- Make sure the floor offers adequate support for your bath and verify that the subfloor is flat and level.

C. Plumbing Preparation

Position the plumbing according to rough-in dimensions. Check the supplies for leaks.

安装现场要求

A. 拆除旧浴缸(如有必要)

B. 独立浴缸安装准备

注：必须确保地面支撑力足够。请参考浴缸随附的尺寸图查看具体的地面负载要求。

- 确保地面可以完全支撑您的浴缸，并确保地面水平。

C. 管道的准备

将管道按安装尺寸安置。检查供水管道是否漏水。

INSTALL THE FREESTANDING BATH

1. Install the adjustable feet.

- Unpack the bath, lift the bath and fix the adjustable feet.
- Adjust the height of the bath to 567mm by adjusting the adjustable feet bottom.

2. Place to the predetermined position. Adjust the adjustable feet to level the bath. Ensure that the height of the bath is 567mm.

3. Install the plumbing

- Install the bath drain. Please refer to the installation instruction of Bath Drain K-17758T. Don't fix the drain tail piece first.
- Turn on the cold and hot supply, and then check all the connections to see whether there is any leakage.
- Run water, and then check the drain connection to see whether there is any leakage.

4. Install the screws and positioning screws

- Install and fix the screws and positioning screws according to the picture.

安装独立式浴缸

1. 安装可调节支撑脚。

- 打开包装，将浴缸抬高，安装可调节支撑脚。
- 预调节可调节支撑脚，将浴缸高度调整至567毫米。

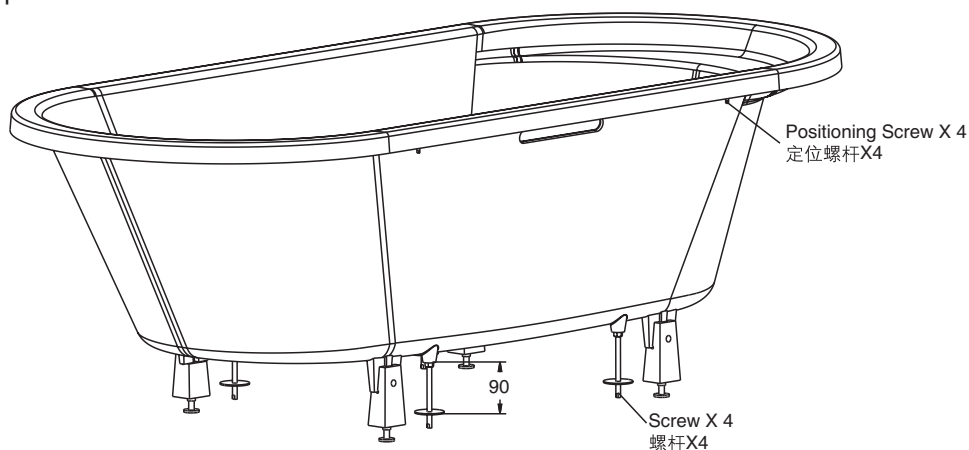
2. 将浴缸放置在预定位置，通过可调节支撑脚调节浴缸水平，但需要保证浴缸高度为567毫米。

3. 安装卫生管道

- 参照K-17758T排水安装说明，安装浴缸排水，先不要固定排水尾管。
- 开启冷热水管，然后检查所有连接是否渗漏。
- 试水，检查落水连接是否渗漏。

4. 安装螺杆和定位螺杆

- 依图安装螺杆和定位螺杆，并固定牢固。

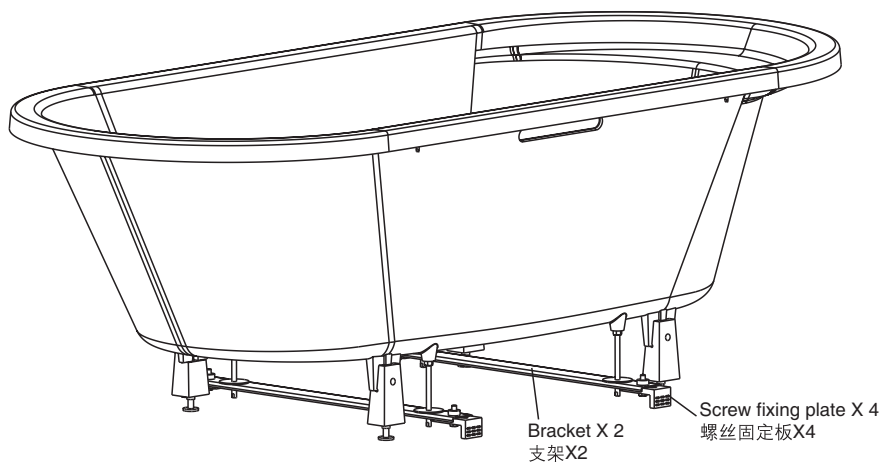


5. Install the bracket and screw fixing plate

- Install and fix the bracket and screw fixing plate according to the picture.
- Fix the drain tail piece.

5. 安装支架和螺丝固定板

- 依图安装支架和螺丝固定板，并固定牢固。
- 固定排水尾管。

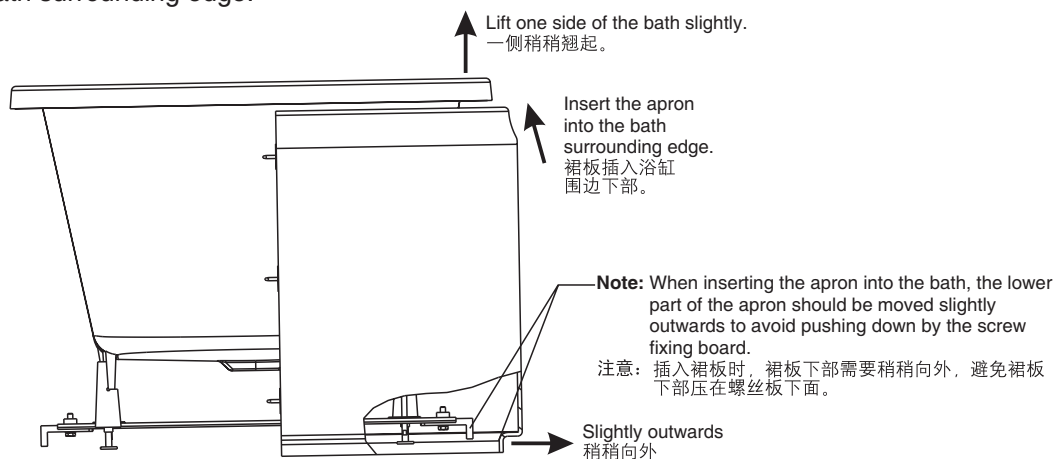


6. Install the apron

- Lift one side of the bath slightly, then insert the apron into the bath surrounding edge.

6. 安装裙板

- 把浴缸一侧稍稍翘起，把裙板插入浴缸围边下面。

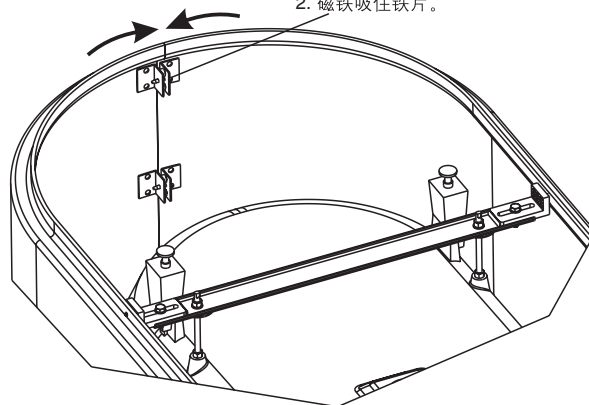
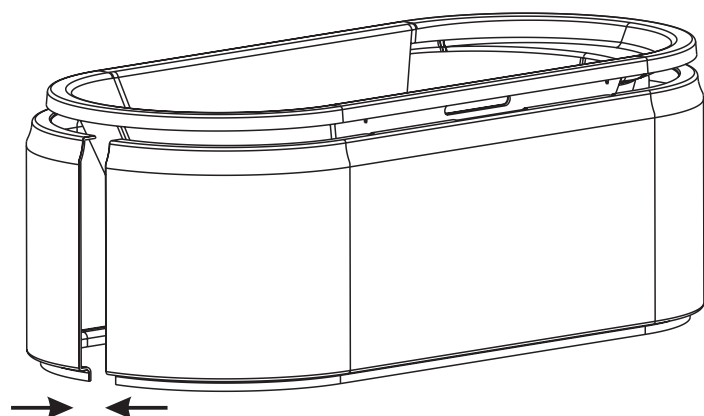


- Join the two aprons.
- Insert the pin on the reverse side of the apron into the pin hole. Ensure that the iron sheet is caught by the magnet.

- 把两块裙板对接起来。
- 确保裙板反面的销和销孔对准插入。磁铁吸住铁片。

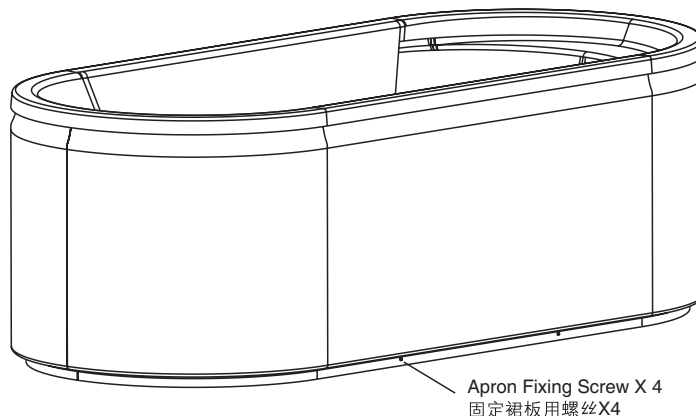
1. Insert the pin into the pin hole.
2. The iron sheet is caught by the magnet.

1. 销插入销孔。
2. 磁铁吸住铁片。



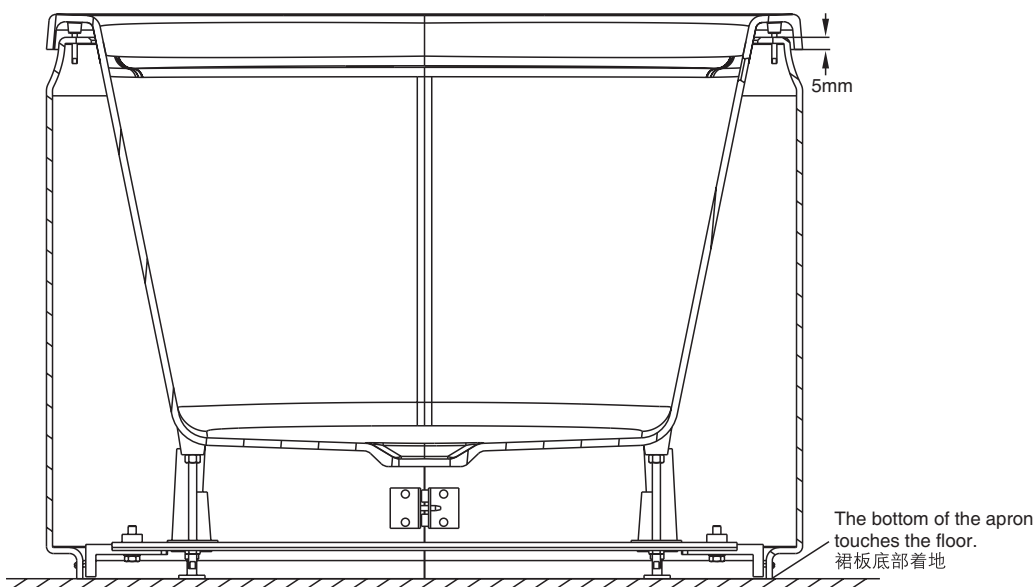
7. Fix the apron on the screw fixing plate by using screws.

7. 用螺丝将裙板固定在螺丝固定板上。



8. The upper part of the apron is about 5mm into the bath surrounding edge.

8. 裙板上部深入浴缸围边5毫米左右。



COMPLETE THE INSTALLATION

完成安装

Cast Iron Surfaces

铸铁表面

When cleaning up after installation, do not use abrasive cleaners, as they may scratch and dull the bath surface. Use warm water and a liquid, non-abrasive detergent to clean the surface.

在安装完成后进行清理时，请勿使用磨损性的清洁用具，以免擦伤浴缸表面，使其失去光泽。使用温水和非磨损性的液体清洁剂，清洗浴缸表面。

CAUTION: Do not allow cleaners containing petroleum distillates to remain in contact with the surfacer long periods of time.

小心：请不要让含有汽油溶解物的清洁剂和浴缸长时间接触。

Remove stubborn stains, paint, or tar with turpentine or paint thinner.

使用松节油或涂料稀释剂去除顽固的污渍、油漆或沥青。

Remove plaster by scraping with a wood edge. Do not use metal scrapers, wire brushes, or other metal tools. You can use a powder-type detergent on a damp cloth to provide mild abrasive action to any residual plaster.

滞留水泥可用薄木刀刮掉。请不要使用金属刮刀，钢丝刷，或其它金属工具，对残留的灰泥，可用湿布粘些洗衣粉，以提供轻微的研磨作用。

IMPORTANT CONSUMER INFORMATION 重要的用户资料

The Safeguard slip resistant surface on this bathtub meets or exceeds the requirements of ASME/ANSI for A112.19.1M slip resistance.

DANGER!! Improper maintenance or cleansers may permanently remove the slip resistant surface on Kohler bathtubs.

NOTICE: All housekeeping and maintenance employees must be trained in the proper cleaning of Kohler bathtubs. Post a copy of this notice in a readily-visible location.

DO NOT use steel wool, wire brushes, metal scrapers or abrasive sponge pads to clean a Kohler bath tub.

DO NOT use buffing machines on the slip resistant surface.

DO NOT use high alkaline or strong acid cleansers.

DO NOT use abrasive cleansers. Use only non-abrasive cleansers and a soft nylon brush to clean the slip resistant surface.

- When using commercial cleansers, use cleansers with a pH of between three and eight.
- When using commercial cleansers, use cleansers with a pH of between three and eight.
- Follow cleanser manufacturer instructions very carefully.

浴缸的Safeguard防滑表面达到或超过ASME/ANSI A112.19.1M对防滑表面的要求。

危险!! 不适当的维护或清洁剂的使用可导致科勒浴缸的防滑表面永久失去。

注意: 所有的清洁和维修人员都应当进行正确清洗科勒浴缸的培训。请将此注意事项的复印件张贴在显著的位置。

请勿 使用钢丝绒, 钢丝刷, 金属刮刀或有磨损性的海绵垫清洗科勒浴缸。

请勿 在防滑表面上使用抛光仪器。

请勿 使用强碱或强酸性的清洁剂。

请勿 使用磨损性的清洁剂。

- 请使用没有磨损性的清洁剂和软尼龙刷清洗浴缸的防滑表面。
- 请使用pH值3和8之间的清洁剂(若要使用商业用清洁剂时)。
- 请仔细按照清洁剂生产厂家的说明书进行清洗。