

**8965T-9** 入墙式切换面板组件

**8966T-9** 入墙式面板组件

### 安装之前

### BEFORE YOU BEGIN

所有的资料是按最新出版的产品资料编写而成。科勒公司保留任何时候不经通知即可改变产品特性、包装或产品可供类型的权利。

All information is based on the latest product information available at the time of publication. Kohler Co. reserves the right to make changes in product characteristics, packaging, or availability at any time without notice.

说明书包括重要的安装、保养及清洁方面的内容，请把这些资料交给用户阅读。

Please leave these instructions for the consumer. They contain important information.

#### 注意事项：

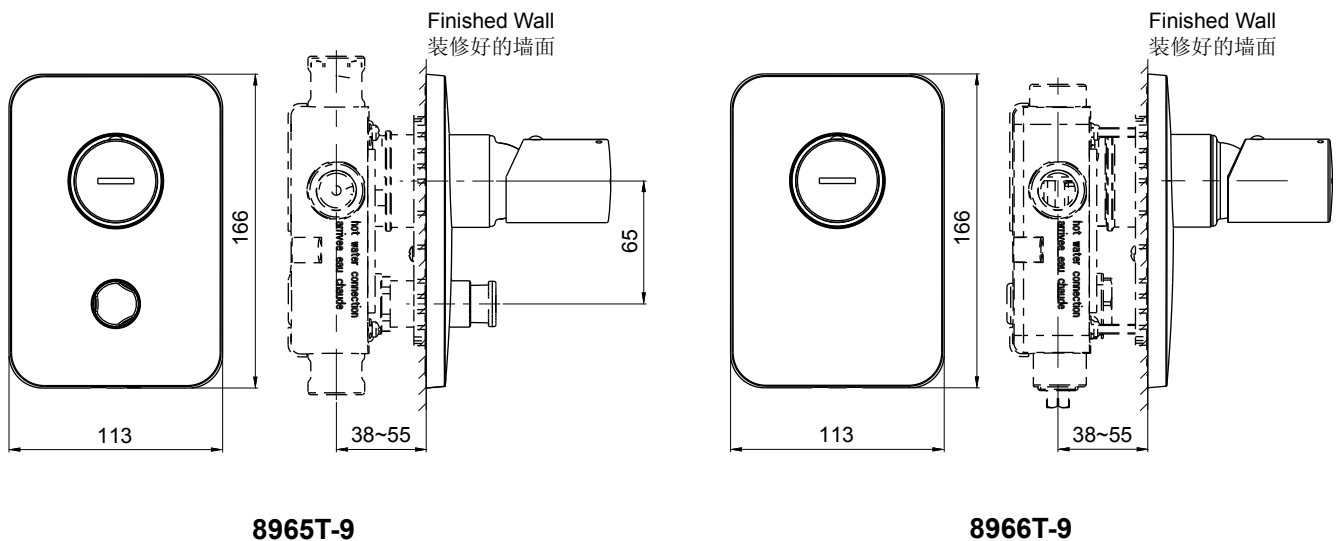
1. 一定要先彻底冲洗供水管以清除管道中的杂质。
2. 在说明书所指示的恰当时候，拿掉阀芯保护套。
3. 参照 8966T-9 安装尺寸安装阀体 880T，参照 8965T-9 安装尺寸安装阀体 882T。

#### NOTES:

1. Flush the water supply pipes thoroughly to remove debris.
2. Do not remove the plaster guard from the valve body until instructed to.
3. Install valve 880T according to the rough-in dimensions of 8966T-9, install valve 882T according to the rough-in dimensions of 8965T-9.

### 安装尺寸

### ROUGH-IN DIMENSIONS



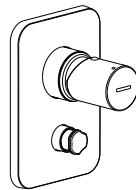
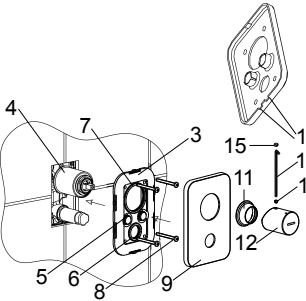
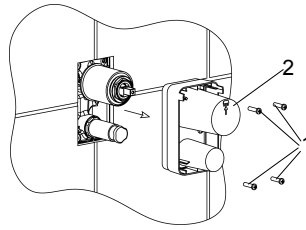
## 安装步骤

**注意：**参照8966T-9安装尺寸安装阀体880T，参照8965T-9安装尺寸安装阀体882T。

墙面装修好后，松开螺钉(1)，拿掉保护套(2)。

将安装盘组件(3)套入阀体(4)，凸起(5)朝外(注意：勿将环6,7挤出)，将其后推，直至与墙面接触。用螺钉(8,长50mm)固定安装盘组件。将面板(9)套在阀体上，使开槽(10)向下。将其后推，直至与墙面接触。将阀帽(11)旋到阀体上。将把手(12)装到阀柄上，用六角扳手(13)锁紧螺钉(14)，塞上塞扣(15)。

阀处于关闭位置，把手的状态如图所示。



## INSTALLATION

**NOTE:** Install valve 880T according to the rough-in dimensions of 8966T-9, Install valve 882T according to the rough-in dimensions of 8965T-9.

Loosen the screws(1), and remove the plastic guard(2) after completed the finished wall.

Slide the cover kit(3) onto the valve(4) with the plugs(5) facing outside(**NOTE:** Don't squeeze out the rings 6,7). Push it against the wall. Secure it with the screw(8). Slide the faceplate(9) onto the valve with slots(10) downwards. Push it against the wall. Screw the bonnet(11) on the valve. Install the handle(12) on the valve stem. Tighten the screw(14) with hex wrench(13). Press plug button(15) to the hole.

The illustration shown is the correct position of the handle in the closed position.

## 清洗说明

适用于所有加工处理过的表面：以中性肥皂水清洗镀层表面，再以干净的软布彻底擦干整个表面，许多清洁剂，比如氨水、去污粉及洁厕灵等，会对电镀表面造成伤害，切忌使用。

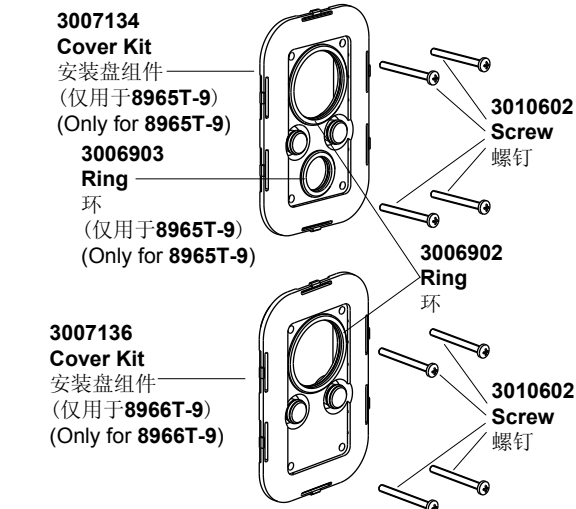
有磨损性的清洁用具或清洁剂也不可用于科勒牌的水龙头及其配件上。

## CLEANING INSTRUCTIONS

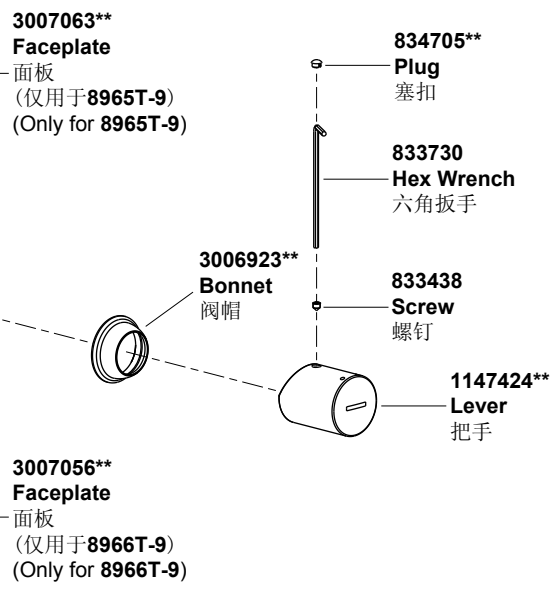
All Finishes: Clean the finish with mild soap and warm water. Wipe entire surface completely dry with clean soft cloth. Many cleaners may contain chemicals, such as ammonia, chlorine, toilet cleaner etc. which could adversely affect the finish and are not recommended for cleaning.

Do not use abrasive cleaners or solvents on Kohler faucets and fittings.

## 零件图



## SERVICE PARTS



\*\*订购时请说明颜色编号

\*\*Color code must be specified when ordering