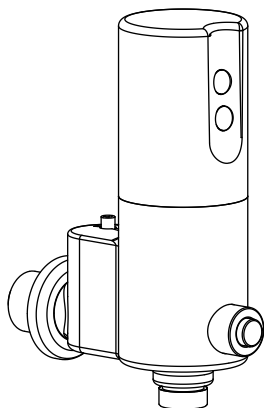


Installation Instructions

安装说明书

Exposed Urinal Sensor
明锐外露式小便感应冲洗器
8828T-C01-CP



上海科勒电子科技有限公司
中国上海浦东新区金滇路18号E幢 邮编：201206

BEFORE YOU BEGIN

- Please read these instructions carefully to familiarize yourself with the required tools, materials, and installation sequences. Follow the sections that pertain to your particular installation. This will help you avoid costly mistakes. In addition to proper installation, read all operating and safety instructions.
- All information in these instructions is based upon the latest product information available at the time of publication. Kohler China reserves the right to make changes in product characteristics, packaging, or availability at any time without notice.
- These instructions contain important care, cleaning, and warranty information - please leave instructions for the consumer.

RECOMMENDED TOOLS AND MATERIALS

- adjustable wrenches
- Tape measure
- Basin wrench
- Pipe wrench
- Square
- Socket wrench with sockets
- Screw driver
- Seal tape
- Level
- Pliers

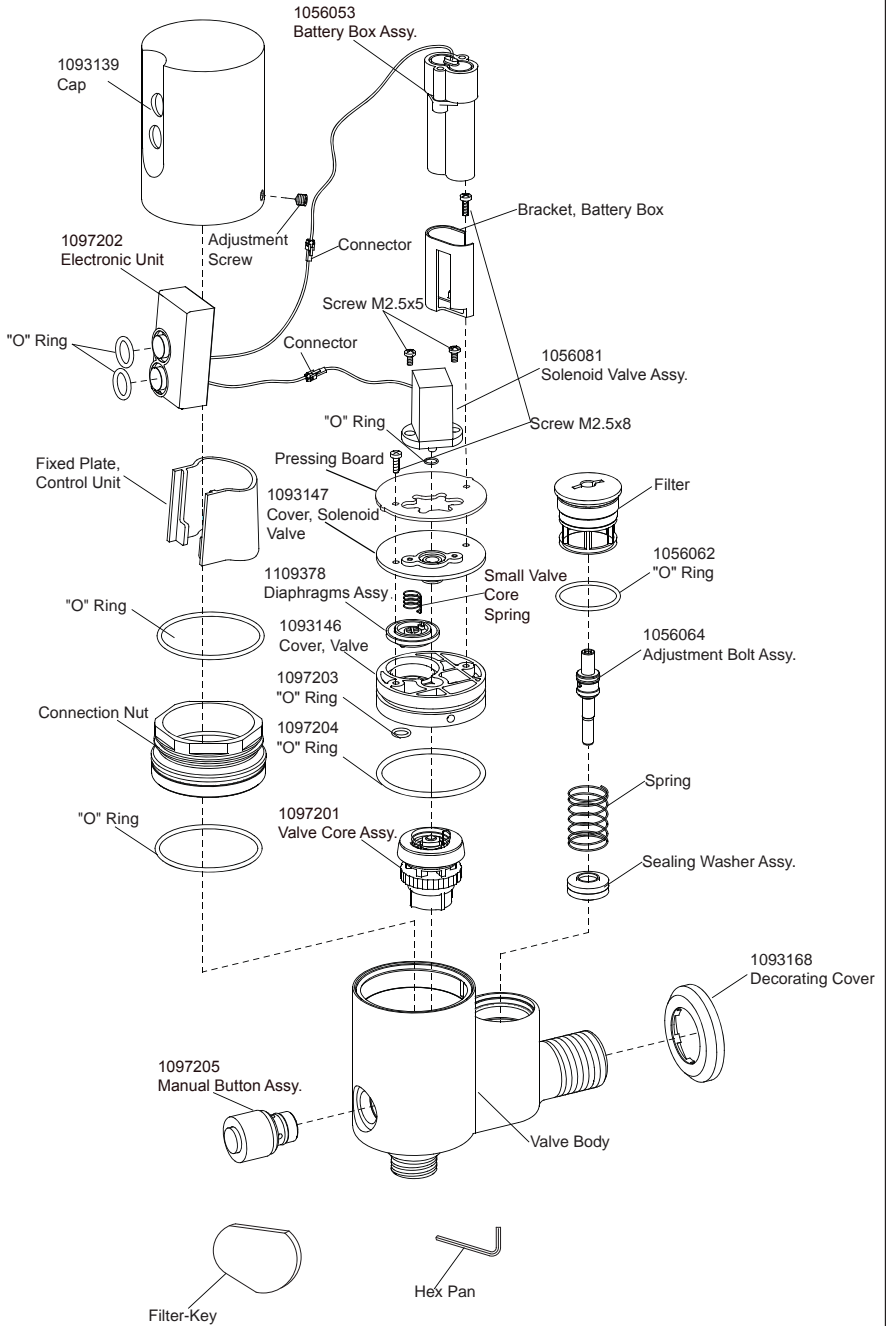
SENSOR SPECIFICATIONS

Model	8828T-C01-CP
Power	2 "AAA" size alkaline batteries
Liter per flushing	When the water pressure is 0.1MPa, the water usage of sensor is no more than 3.0L per flush.
Temperature	Environmental temperature: 1 to 55 °C
Starting pressure	0.05~0.86MPa.
Sensing distance	70cm away from sensing window (Automatic adjustment range: 50~70cm)
Testing time	About 2 seconds or 5 seconds (Automatic adjustment)
Flushing mode	Flushing after used

Note:

- a. The sensing distance in the table is measured with a 30 X 30cm² white board as the reflecting surface.
- b. When the water pressure stays between 0.18 to 0.55MPa, the average water usage of the sensor with K-4960T-ET or K-5016T-ET is no more than 3.0L per flush.

PRODUCT PAGE

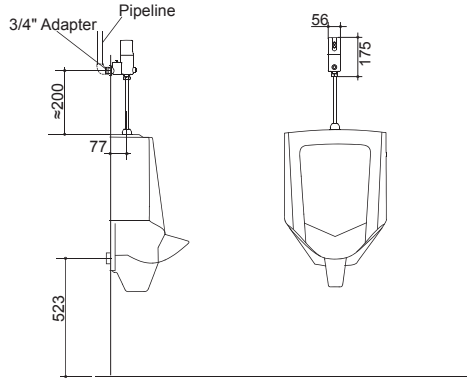
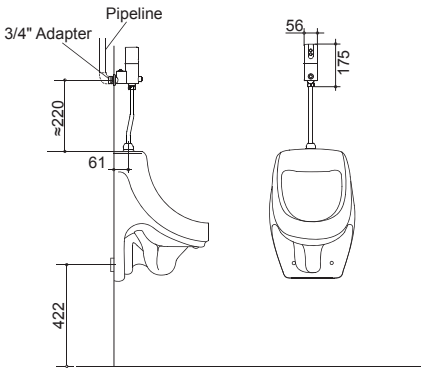


ROUGHING-IN

UNIT: mm

K-5016T-ET

K-4960T-ET



Note:

- a. The dimensions above are just for reference.
- b. The connection take between the outlet connection and urinal is not supplied in this package.



Note:

To ensure an effective flush performance, strongly recommended inner diameter of water supply (including water meter, valve, etc.) is no less than 25mm, and supplied water pressure (sensor inlet dynamic pressure) is 0.18MPa ~0.55MPa.

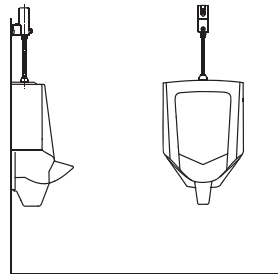
1. The installation heights of sensor and pipe are different in different urinal types. Please referring the next form to choose outlet pipe:

URINAL TYPE	OUTLET PIPE
K-5016T-ET	2383T-NA
K-4960T-ET	2384T-NA

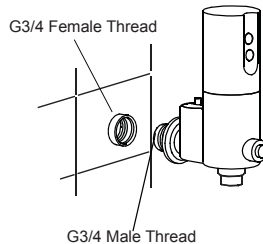


Note:

Please choose the outlet pipe and make sure the dimension of installation position according to the urinal type.

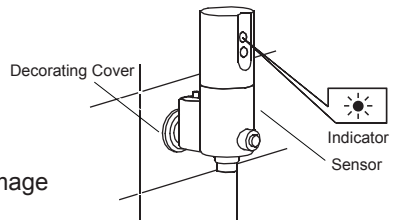


2. Make sure the position and set up the pipe circuit, adjust the outlet pipe depth, estimate the wall thickness to make it flush with the plane which has been pasted with tile. Screw the main part of sensor to the outlet pipe; Screw the flange to the wall after the sensor is screwed to the right position.



Note:

- Align the centre of sensor with the centre of urinal.
- Make sure the installation position of sensor is vertical.
- Please clean the inside of water supply pipe before connecting to the product.
- The product is CP-plated, do not damage the surface during installation.

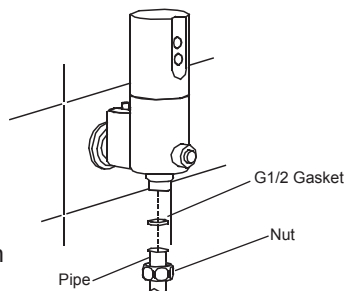


3. Insert the pipe which has been hitched with nuts and flange into the urinal inlet, then make the pipe inlet is opposite with the valve assembly outlet, place a flat washer at the centre, and screw tightly the nuts with wrench.



Note:

- The bottom of the pipe should be cut if required.
- Put on clean gloves during installation to avoid surface injury by cement or sand.



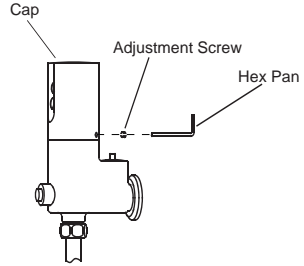
INSTALL THE BATTERY

1. Unscrew the adjustment screw at the back of sensor with hex pan, then draw the cap lightly to make it apart from the main part, take out the battery box assy.



Note:


Do not apply fleetness and excessive force to the cap, otherwise, sealing washer may be damaged.

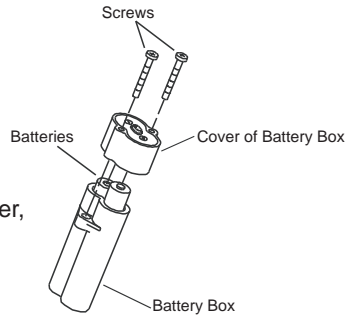


2. Unscrew the two screws from the battery box assembly with screw driver, and enclose two batteries as shown picture (please notice the polar shown as the battery cover). Tighten the battery box cover with screws.

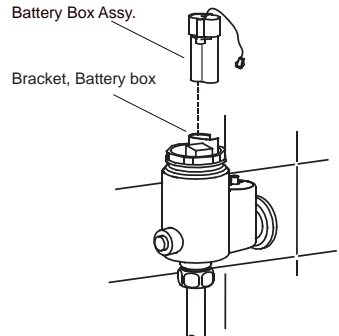


Note:

Don't mistake the polar of the batteries and don't mix new and used batteries together. When no enough power, the indicator  will flash continuously. When out of power, the indicator will flash every 2 seconds and the sensor will not work until new batteries are supplied. No need to reset the program after the battery changed.



3. Put the battery box assembly with batteries into the battery box bracket, then force it lightly to the end.



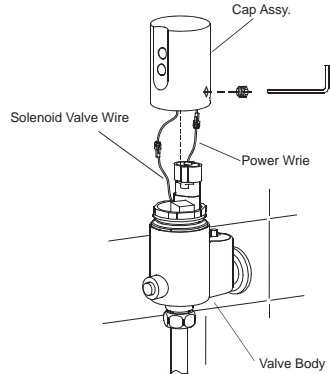
INSTALL THE BATTERY

4. Link the power wire and solenoid valve respectively, then force the wire into suitable room, prevent touching the wire when installing the cap assembly, insert the cap assembly into the top of the main part and adjust the position, make the sensor window front, screw tightly the socket head screw with socket head wrench, securing the cap assy.



Note:

Do not use this system until the power is on for 10minutes. The sensing distance will be adjusted and the system will not work during this time.



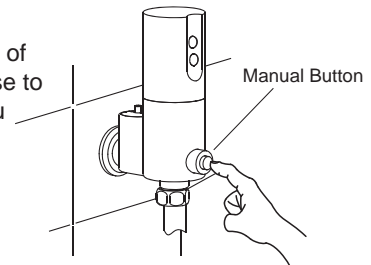
USER'S GUIDE

Working Satus Flushing

Before powering on, clear the unwanted objects in front of the sensor window lest shortening the sensing distance.

Manual Flushing

This system can have a good sense toward most of the clothes. However, it may have abnormal sense to a very small number of clothes. If this occurs, you may use the mode of manual flushing. Press the button with your hand to flush the urinal with water, or loosen the button to stop flushing.



Note:

- The button is a standby device that will be used when the sensor can not perform correctly or the urinal is being repaired. It is not recommended to use when the sensor is normally functional.
- When the sensor can not function properly, please refer to the list of troubleshooting.
- Do not exert too much force to avoid the manual button from damaged.

Protective Flushing

When the urinal has not been used for a long time, the sensor will drive the solenoid valve to flush every 24 hours to avoid the deodorizer and the sewer pipe from drying up.

Deodorizing Flushing

The sensor will take a flushing automatically when urinal is used 3 or 4 times in 2 minutes.

MAINTENANCE

Urinal Repair

When repairing, you don't have to dismount the sensor. Cover the sensing window with tape and work with ease.

 Note:

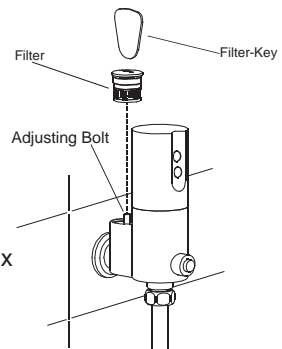
Don't use very adhesive tape in case the scar will be hard to remove.

Clean the Filter Screen

If the flushing volume declines sharply after installation or used for a long time with no cause from water pressure, the filter may need a wash. Please operate as following steps: After turning clockwise the adjusting bolt with hex pan to close the valve, turn off the fixed cap with filter-key. Take out the fixed cap with filter and clean with a brush and reinstall them, and turning counterclockwise the adjusting bolt with hex pan to open the valve.


 Note:

- Turn off the water supply or tighten the adjusting bolt before cleaning. Do not disassemble the fixed cap and filter during the operations.
- Do not use pipe wrench to if necessary clean the valve and the screen.



Care & Clean

Keep the sensing window clean. Wipe with soft cloth and mild cleaner.

 Note:

- Do not use dust-removing powder, abrasive powder or cleaner containing oil, acid or alkaline ingredient.
- Do not spray air-refresher, disinfectant, or other deodorizing, cleaning solvent directly into the sensing window.
- Keep wire away from water.
- Don't attack the sensor window.

TROUBLESHOOTING

Please make following checks before repair:

Symptoms	Probable causes	Corrective actions
No flushing (Indicator not flashing).	<ol style="list-style-type: none"> 1. No power or mistake connected. 2. There is an object within the sensing distance. 3. The sensing window needs cleaning. 	<ol style="list-style-type: none"> 1. Check the power connect. 2. Remove the object . 3. Clean the window.
No flushing or poor flushing while the indicator can flash.	<ol style="list-style-type: none"> 1. Still in the waiting status. 2. Adjusting bolt not fully open 3. Low water pressure. 4. Filter is obstructed. 5. The connector is not connected well. 	<ol style="list-style-type: none"> 1. Wait for 10 minutes. 2. Open the adjusting bolt. 3. Improve water supply. 4. Clean the filter. 5. Check the connector.
Keep flushing indicator not flashing.	The valve core is blocked.	Wash the valve core with a brush.
Battery indicating light keeps flashing and no flushing.	Out of electricity.	Replace batteries.

If the trouble remains after above-mentioned actions are taken, please contact with us via distributor.

IMPORTANT CONSUMER INFORMATION

Consumer Responsibilities

1. Do not attack the sensor.
2. Do not directly flush the sensor with water. The sensor is an electronic instrument.
3. Do not let sunlight or other light source enter or be reflected into Sensor Window.
4. Do not hang on the opposite wall any reflective items or install light/electronic sensor such as toilet flushing sensor.
5. Do not make Sensor Window near strong ultraviolet or electromagnetic field.
6. Keep the sensor window clean. The sensor cover can be cleaned by soft rag with neutral liquid detergent.
Do not use eradicator, abrasive powder or oil, acid or alkali liquid detergent.
Do not spray air freshener, disinfectant or other kinds of odious removing, cleaning organic liquid to the sensor directly.
7. Urinal is designed for use with potable water. Avoid water that includes a lot of contaminants or acid/alkali water and impure water.

COPYRIGHT©2009 BY KOHLER CO.

安装之前

- 请通读本说明书,以便了解所需工具、材料及安装程序。请遵照相关章节进行安装,以避免安装不当而导致不必要的损失。除了有关部门正确的安装方法之外,还务请阅读所有操作及安全说明。
- 本说明所含一切材料,均以印刷时所有的最新产品为准。科勒中国公司保留随时更改产品特性、包装或供应情况的权利,恕不另行通知。
- 本说明也包含了有关护理、清洁及保养等重要资料—请交用户留存。

所需工具及材料

- 活动扳手
- 卷尺
- 梅花板钳
- 管扳手
- 直角尺
- 管钳子
- 十字螺丝刀
- 生料带
- 水平尺
- 老虎钳

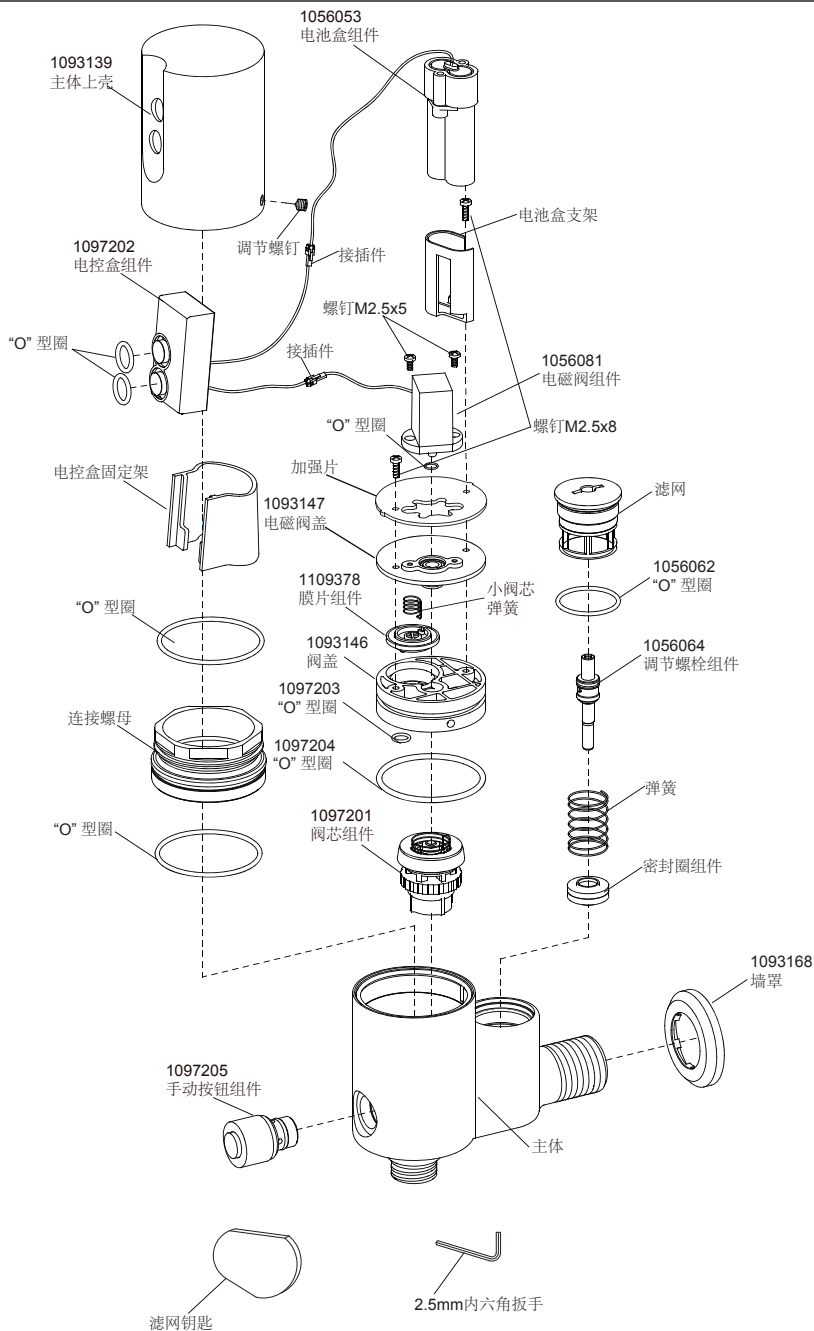
感应器规格

型 号	8828T-C01-CP
电 源	2节7号碱性电池(AAA x 2)
冲洗水量	动压为0.1Mpa时,感应冲洗器冲水量不大于3.0L
使用温度	环境温度: 1~55℃
启动压力	0.05~0.86 MPa.
感应范围	距感应窗口70cm以内(自动调节范围约: 50~70cm)
检测时间	约2秒或5秒(自动调节)
冲洗方式	使用后冲洗

注:

- a. 表中感应范围距离的测定以30x30cm²白纸为反射平面。
- b. 水压为0.18~0.55Mpa时,配K-4960T-ET、K-5016T-ET小便斗平均冲水量不大于3.0L。

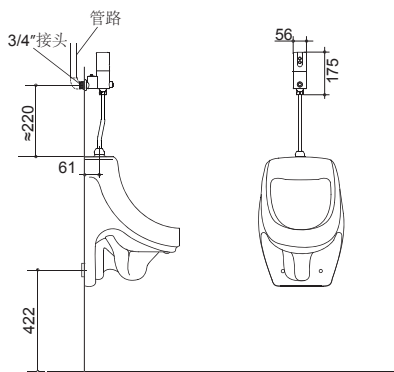
产品图



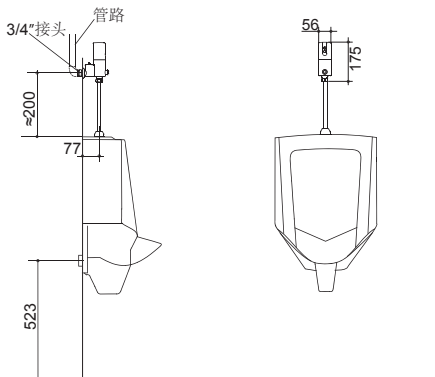
尺寸图

单位:毫米

K-5016T-ET



K-4960T-ET



注意:

- a. 以上尺寸仅供参考
- b. 出水配件需另行选配




注意:

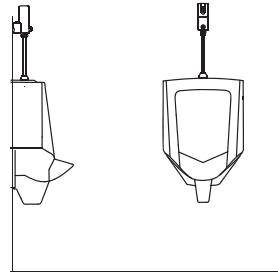
为保证有效冲洗, 推荐供水管路(包括水表、阀等)内径不小于25mm, 推荐供水水压(冲洗器进水口流动水压): 0.18MPa~0.55MPa.

安装感应器


1. 感应器及管道的安装高度因小便器型号而异，安装位置见尺寸图。出水配管请对照下面的表格选用：

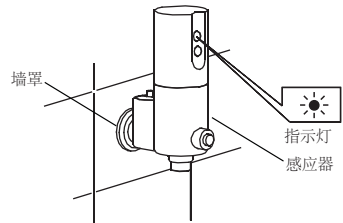
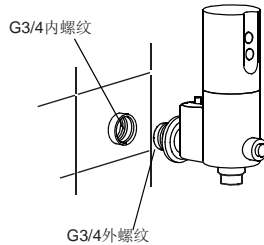
小便器型号	出水配管
K-5016T-ET	2383T-NA
K-4960T-ET	2384T-NA

-  注意：
请对照便器型号，选用出水配管和确定安装位置尺寸。




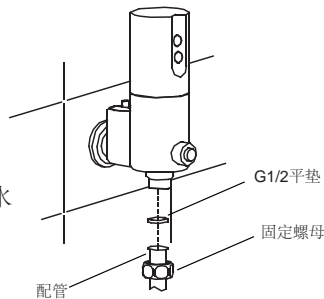
2. 选好位置布置好水管线路，调节进水管深度，估算墙面厚度使其与张贴后的瓷砖面平齐。将感应器主体旋于墙中出水管（G3/4-内螺纹）上；感应器旋至正确位置后，将装饰罩旋至墙面。

-  注意：
- a. 感应器中心与小便器中心对齐。
 - b. 感应器安装好后的位置保证垂直。
 - c. 将本产品连接上供水管前，建议先冲洗干净供水管。
 - d. 本品为高光电镀件，请注意安装时不能碰坏镀层表面。



3. 将配管套上螺母及装饰罩后插入小便器进水口内，再将配管进水口与阀体组件出水口相对，中间放G1/2平垫后，用扳手旋紧固定螺母。

-  注意：
- a. 配管的下端可根据实际安装需要锯短。
 - b. 安装过程需带上干净的手套，以防止水泥或沙砾损伤表面。



安装电池

1. 用内六角扳手旋开感应器背部的调节螺钉，再将上壳组件轻轻向上拔，使上壳组件与主体分离，取出电池盒组件。



注意：

禁止快速、猛力插拔外壳上盖，否则将损坏密封圈。

2. 用十字螺丝刀拧开电池盒组件上的两个小盘头螺钉，从包装盒内取出电池。如图装入两节干电池(装入时请注意电池盖上所示正负极方向)。装入后用螺钉紧固电池盒盖。



注意：

电池极性不能装反，新旧电池不能混用。电池电能不足时，感应指示灯 ⚡ 连续闪烁。电池耗尽时，指示灯每隔2秒闪烁一次，感应器停止工作，直至更换电池。电池更换后不必重新设定程序。

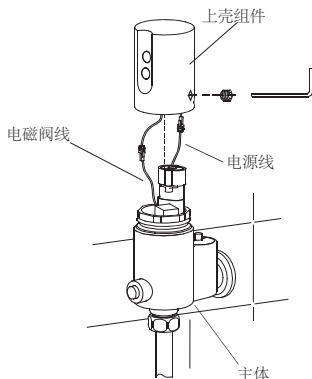
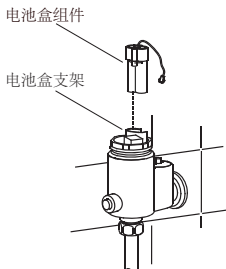
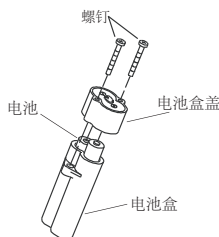
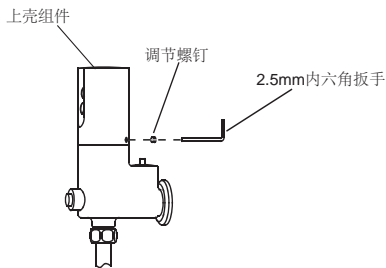
3. 将装好电池的电池盒组件放入电池盒支架内，轻塞到底。

4. 分别连接电源线与电磁阀线，将连接好的线塞入适当的空位中，防止安装上壳组件时碰到线。将上壳组件轻轻插入主体顶部，调整上壳组件位置，使感应窗口正对前方，用内角扳手旋紧内六角螺钉，紧固上壳组件。



注意：

请在通电10分钟后开始使用该系统。因为这段时间设定为调节感应范围的待机状态，此时系统不工作。



使用说明

工作状态

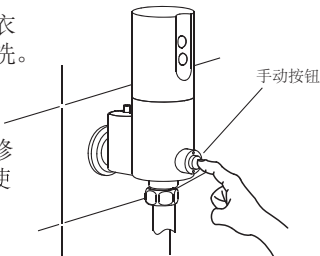
在接通电源之前，务必清理感应窗口前的杂物，以免影响自动调距。

手控冲洗

本系统能对大部分衣物感应良好，但可能对极少数衣物出现感应不良现象。如有感应不良时可用手控冲洗。用手按住按钮，即放水冲洗，松开则停止出水。

 注意：

- 按钮为备用机构，为感应不能正常工作或维修便器时使用，在感应器能正常工作时不推荐使用。
- 当感应器不能正常工作时请参考故障排除。
- 不得用力过大，以免损坏手动机构。



设备保护冲洗

小便器长期处于不使用状态时，感应器将驱动电磁阀每24小时冲洗一次。以防止脱臭器及排水管的干涸。

防臭冲洗

当2分钟内连续3-4人以上使用时，感应器自动冲洗一次。

维护保养

修理小便器

修理小便器时，不必拆下感应器，只需用电工胶布粘住感应窗口，您便可放心修理设备。

 注意：不要用强力胶布，因为粘痕难以消除，而产生误动作。

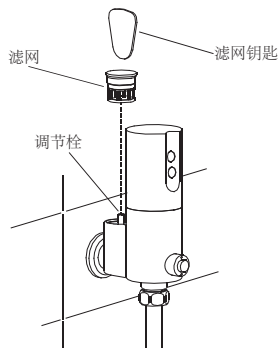
清洗过滤装置

初装或使用较长时间后，如发现出水量明显变小，而非水压原因，可进行以下操作：

用内六角扳手将调节栓顺时针旋紧后，用滤网钥匙逆时针方向旋开并取下固定盖及滤网，刷洗干净后重新装入滤网，打开调节栓即可。

 注意：

- 清洗前，请先关闭水源或拧紧调节栓。操作过程中，请勿拆分固定盖和滤网。
- 如需清洗滤芯滤网，安装、拆卸过程中禁用管扳手。



清洁保养

保持感应窗口清洁，可用蘸有中性清洁剂的软布擦洗。



注意：

- 禁止使用去污粉、研磨粉及油类、酸性类、碱性类清洁剂。
- 禁止直接对感应窗口喷洒空气清新剂、消毒液或其他除臭、清洁类有机溶剂。
- 避免水直接接触电线接插件。
- 勿撞击感应窗口。

简单故障排除

请在委托修理前做以下检查：

现象	可能原因	处理方法
不出水（感应指示灯不亮）	1.无电池或电池装反 2.感应范围内有其他物体一直被感应 3.感应窗口较脏	1.检查电池 2.清理物体 3.清洁窗口
感应指示灯闪烁而无水流出或出水较差	1.通电待机状态 2.调节栓未完全打开 3.水压太低 4.过滤装置脏堵 5.接线端未接好	1.等待10分钟 2.打开调节栓 3.改善供水情况 4.清洗过滤装置 5.检查接线端
不停水	阀芯卡住	清洗阀芯
电池指示灯连续闪烁而不出水	电池耗尽	更换新电池

如按以上操作仍未解决故障，请通过销售商与本公司联系。

用户须知

用户责任

- 请勿敲击感应窗口。
- 感应器为电子器具，请勿直接用水冲洗。
- 避免阳光或其他光源直接或反射进入感应窗口。
- 请勿在感应器正面墙壁上挂贴易反射的物体或安装光电感应器（如大便自动感应冲洗器）。
- 请勿靠近强烈紫外线或电磁场。
- 保持感应窗口清洁。
窗口外壳可用蘸有中性清洁剂的软布擦洗。
禁止使用去污粉、研磨粉及油类、酸性类、碱性类清洁剂。
禁止直接对感应窗口喷洒空气清新剂、消毒液或其他除臭、清洁类有机溶剂。
- 使用水源为自来水或可供饮用井水。
避免使用含有杂质较多或带有酸、碱性的处理水或为加工处理的水。

版权为科勒公司所有，2009