



BEFORE YOU BEGIN

- Observe all local plumbing and building codes.
 - Prior to installation, unpack the new lavatory and inspect it for damage. Return the lavatory to its protective carton until you are ready to install it.
 - Choose different installing instructions for concrete construction or wood frame construction.
 - The walls and floor must be square, plumb, and level.
-  **CAUTION:** Lavatory must be installed with the pedestal. It must not be installed alone.
- Kohler lavatory is made according to American National Standard that it can match the American lavatory fittings. Any other lavatory fittings may not fit for kohler lavatory.

安装之前

- 遵守当地所有给排水和建筑规定。
 - 安装之前先开启新脸盆的包装，检查有无破损后放回纸箱中以免碰坏，到准备安装时才取用。
 - 请根据墙体结构（水泥结构或木框结构）不同，选择不同安装指引进行安装。
 - 墙壁和地板必须方正、平整和水平。
-  **警告：**脸盆必须有立柱，不可单独安装。
- 科勒洗脸盆是根据美国标准制造的，与美式洗脸盆配件相配。其它洗脸盆配件可能与之不相配。

ORDERING INFORMATION

Sacramento® Pedestal Lavatory.....K-8700T-1/-4/-8
Includes Lavatory Basin.....K-8703T-1/-4/-8
Includes Pedestal.....K-8705T

订购信息

莎嘉美都柱式脸盆.....K-8700T-1/-4/-8
包括洗脸盆.....K-8703T-1/-4/-8
包括立柱.....K-8705T

ROUGHING-IN

(S) Supply (Based on 305mm (12") risers which may require cutting).
K-8700T-1/-4/-8=200mm (8")

(T) Pop-up drain typically 362mm (14-1/4"); drain typically 339mm(13-3/8") .

Fixture dimensions are nominal and conform to tolerances in ASME Standard A112.19.2M.

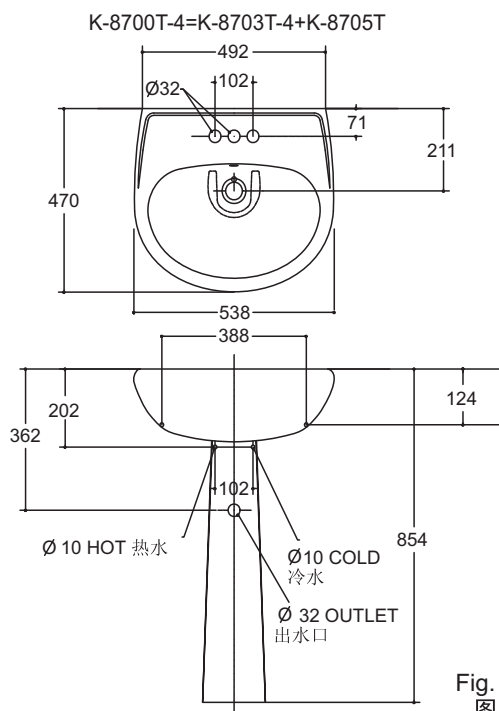
尺寸图

(S) 供水管(根据305mm冒口而定，可能需切短)
K-8700T-1/-4/-8=200mm

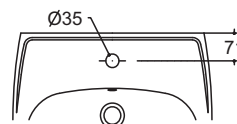
(T) 凸出排水管一般为362mm，排水管一般为339mm。

部件尺寸为标定值，误差符合美国机械工程师学会(ASME)标准A112.19.2M。

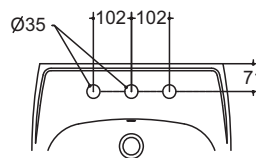
广东省佛山市三水区乐平镇第二工业区
佛山科勒有限公司 邮编：528137



K-8700T-1=K-8703T-1+K-8705T



K-8700T-8 =K-8703T-8+K-8705T



UNIT: mm
单位: 毫米

Fig. #1
图1

TOOLS AND MATERIALS REQUIRED (Not Supplied)

- Level
- Drill with assorted bits
- 14mm(9/16") Wrench
- Tape measure
- Framing square
- Channel lock pliers
- Socket wrench with 203mm (8") extension & assorted sockets

所需工具及材料 (不随货供应)

- 水平尺
- 带配套钻头的钻
- 14mm板钳
- 卷尺
- 定位直尺
- 锁钳
- 接头板钳附有203mm把手及接头配套

ACCESSORIES INCLUDED WITH PRODUCT

63069 Leveling Pads

1050612 Ped. Lav Access Pack

Additional accessories other than those provided may be required for installation.

随货供应的配件

63069 水平垫

1050612 立柱安装配件

安装时或需要不随货供应之额外配件。

INSTALLATIONS

安装

- Rough-in the supplies and the drain piping.

NOTE: The supply stop handles cannot extend more than 76mm (3") from the finished wall when in the open position.

- Install sufficient backing behind the finish wall to provide a secure material for the anchoring devices.
- Apply two self-adhesive leveling pads (provided) to each of the three ridges in the bottom recess of the lavatory.

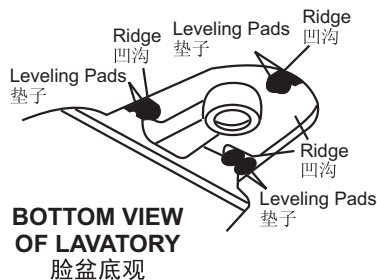


Fig. #2
图2

- 画出供水及排水管道的坑距。

注意: 供水开关手柄在旋开位置时, 距离完工墙面不得超过76mm。

- 要在完工墙后加上安装足够的支撑, 为锚固装置提供牢靠的基础。
- 在脸盆底部三边的凹沟中各贴上两个自粘水平垫子(已提供)

- Mark the centerline on the floor.
- Position the pedestal on the floor centerline.
- Carefully set the lavatory on the pedestal.
- Move the pedestal as required to ensure proper fit in the desired location.
- Level the lavatory. Add more self-adhesive gaskets as needed to level the lavatory.

NOTE: The lavatory must be supported by the pedestal.

- Check the lavatory placement.
- Mark the center of each anchoring hole on the wall, and mark the floor through the hole in the pedestal bottom.
- Carefully remove the lavatory from the pedestal. Then move the pedestal from the area.

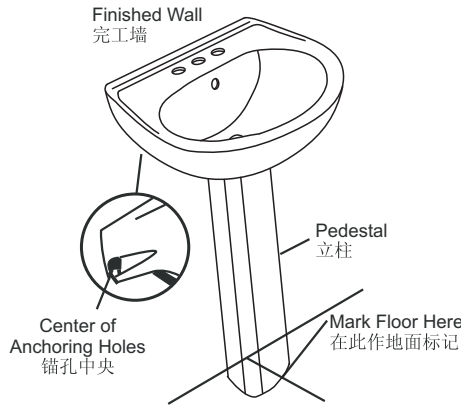


Fig. #3
图3

- 在地面上画出中心线标记。
- 把立柱放在地面中心线位置上。
- 小心地将脸盆安放在立柱上。
- 必要时移动立柱，以确保位置恰当。
- 调平脸盆，如有需要，可使用更多的自粘垫子，以便持平。

注意：脸盆必须由立柱支撑。

- 检查脸盆是否安放正确。
- 在墙上标出每个锚孔的中心位置，并通过立柱底部的孔，在地面上作出标记。
- 小心地从立柱上移开脸盆，再将立柱搬开。

A INSTALLING INSTRUCTIONS FOR CONCRETE CONSTRUCTION WALL

- Drill a 8mm (3/10") mounting hole at the mark on the floor, inset a 8mm (3/10") plastic expanding sheath into the hole; then drill two 10mm (2/5") hanger bolt holes at the marks on the wall.
- Mount hanger bolts to the wall and ensure about 20mm (4/5") exposed remaining.

NOTE: Other fastening devices of sufficient size and strength may also be used.

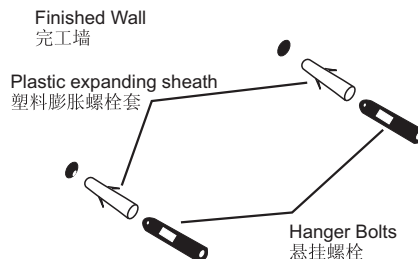


Fig. #4
图4

A 适用于水泥结构墙体的安装方式

- 在地面标记处钻一个8mm的安装孔，并塞入一个8mm的塑料膨胀螺栓套；然后在墙上标记处钻两个10mm的悬挂螺栓孔，分别塞入10mm的塑料膨胀螺栓套各一个。
- 将悬挂螺栓安装在墙上，并使每个螺栓保持外露20mm左右。

注意：也可使用其它具有足够尺寸及强度的坚固装置。

B INSTALLING INSTRUCTIONS FOR WOOD FRAME CONSTRUCTION WALL

- Drill a 6mm (1/4") mounting hole at the mark on the floor, then drill two 6mm (1/4") hanger bolt holes at the marks on the wall.
- Mount hanger bolts to the wall and ensure about 20mm (4/5") exposed remaining.

NOTE: Other fastening devices of sufficient size and strength may also be used.

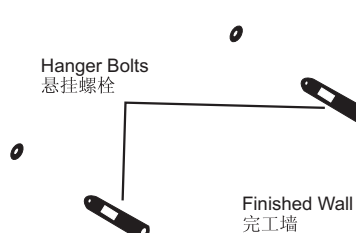


Fig. #5
图5

B 适用于木结构墙体的安装方式

- 在地面标记处钻一个6mm的安装孔，然后在墙上标记处钻两个6mm的悬挂螺栓孔。
- 将悬挂螺栓安装在墙上，并使每个螺栓保持外露20mm左右。

注意：也可使用其它具有足够尺寸及强度的坚固装置。

- Choose P-trap or S-trap to install the faucet and drain to the lavatory according to the manufacture's instructions.
- NOTE:** Do not fully tighten slip-joint drain connections at this time.

- 按照制造商之指引，根据实际排水方式(后排或底排水)，将水龙头及排水管道安装在脸盆上。
- 注意：**此时勿将滑动排水连接器完全上紧。

- Position the pedestal mounting hole over the hole in the floor.
- Secure the pedestal to the floor with the screw and washer. Tighten the screw until it is snug.

CAUTION: Risk of product damage. Do not overtighten. Overtightening may cause damage to the product.

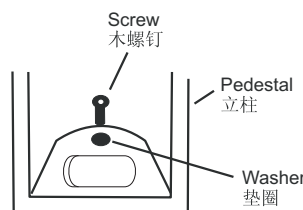


Fig. #6
图6

- 把立柱安装孔对准地面的孔。
- 用螺钉及垫圈将支座固定在地面上，上紧螺钉直至贴合为止。

小心：有产品损坏之危险。螺钉不要上得过紧，否则可能损坏产品。

- Set the lavatory on the pedestal so the bolts extend through the lavatory holes.
- Level the lavatory.
- Install the cap nuts and washers, and tighten until snug.



CAUTION: Risk of product damage. Do not overtighten the cap nuts. Overtightening may cause damage to the product.

- Connect and tighten the trap. Connect the hot and cold water supplies to the faucet.

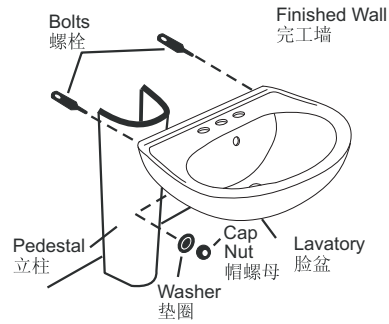


Fig. #7
图7

- 将脸盆放于立柱上，使螺栓穿过脸盆的孔。
- 调平脸盆。
- 安上帽螺母及垫圈，将之上紧直至贴合为止。



小心：有产品损坏之危险。不要把螺母上得过紧，否则可能损坏产品。

- 联接并上紧弯管，同时将热水及冷水管接上水龙头。

IMPORTANT CONSUMER INFORMATION

用户须知

CARE AND CLEANING

To keep your lavatory looking new, make sure you rinse it out thoroughly after each use. **DO NOT ABRASIVES** on this product, as they will scratch and ruin the surface. Stubborn stains, paint, or tar can be removed with turpentine or paint thinner.

护理和清洁

为保持脸盆光洁如新，须确保每次使用后彻底冲洗干净，切勿使用腐蚀性的清洁剂，以免刮花及破坏脸盆的表面。要清除顽固污垢，油漆或柏油，可使用松油或油漆稀释剂。