

8396T-CP 欧宝入墙式单冷直流感应龙头

8398T-CP 欧宝入墙式单冷交流感应龙头 (带交流电源盒)

安装之前

所有的资料是按最新出版的产品资料编写而成。科勒公司保留任何时候不经通知即可改变产品特性、包装或产品可供类型的权利。

说明书包括重要的安装、保养及清洁方面的内容，请把这些资料交给用户阅读。

注意事项

1. 一定要先彻底冲洗供水管以清除管道中的杂质,使用水源为自来水或可供饮用水。
2. 请勿将强力及冲击施于产品, 以免造成故障, 引起漏水。
3. 安装、清洁龙头时, 切勿损伤感应窗口表面, 以免造成故障。
4. 如果是安装新的洗面盆, 可将水龙头和排水组件先安装好到面盆上。
5. 对于直流龙头, 安装时注意电池的正负极不能装反, 电池盒盖要拧紧, 防止电池受潮。
6. 对于交流龙头, 安装时务必按照说明书的要求正确连接导线, 龙头安装完毕后才可向电源盒供电。
7. 一个交流电源盒最多可供两个感应龙头。
8. 交流电的总电源必须有合适熔断丝加以保护。
9. 请勿使产品感应窗口靠近强紫外线或电磁场。
10. 修理面盆时, 用黑色电工胶布粘住感应窗口。
11. 维修交流龙头时, 必须断开交流电源并关闭水源。

BEFORE YOU BEGIN

All information is based on the latest product information available at the time of publication, Kohler Co. reserves the right to make changes in product characteristics, packaging, or availability at any time without notice. Please leave these instructions for the consumer. They contain important information.

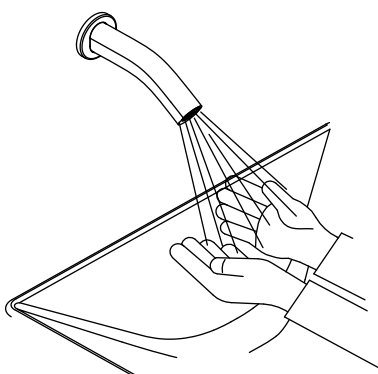
Notes:

1. Flush the water supply pipes thoroughly to remove debris. Faucet is designed for tap water or potable water.
2. Do not attack the faucet with rough strength to avoid being damaged.
3. Do not damage the surface of sensing window when installing or cleaning the faucet.
4. For new installations, install the faucet and drain to the lavatory before installing the lavatory.
5. As for DC type faucets, please pay special attention to insert direction match of battery poles. Tighten the battery cover completely to prevent its exposure to moisture.
6. As for AC type faucets, strictly follow indicated instructions to perform electric connection. Only provide electric supply to power box after the installation is completed.
7. One AC/DC transformer for max. two faucets.
8. Electrical source must equipped with suitable fuse to protect AC/DC transformer unit from damage.
9. Do not put the faucet near strong ultraviolet or electromagnetic field.
10. Cover the sensing window with black tape when repairing lavatories.
11. Turn off the electrical source and shut down water supply before the faucets repaired.

使用说明

OPERATION INSTRUCTIONS

手伸到出水口下方感应范围内
(感应距离随面盆、周围的情况
而自动调节), 水龙头出水。手
离, 0.5~2秒后, 水龙头自动止
水。



Put your hand in the sensing -range, the faucet should turn on. The faucet should turn off after removal within 0.5~2 seconds. The sensing distance will be adjusted automatically as per the condition of the lavatory and surrounding environment.

建议搭配脸盆

VESSELS LAVATORY That Matches FAUCET

K-2661T 拂朗正方形时尚脸盆、
K-4819 瑞芙时尚脸盆
K-14223-SP 莎朗时尚脸盆、
K-2833T 蒂芙时尚脸盆
K-2203T-G 贺士嘉特脸盆、

K-19047T 艾思格尔时尚脸盆
K-2390 思唯铸铁时尚脸盆
K-2530W-M6 叶芙时尚脸盆
K-14223-G4 顿帕时尚脸盆、
K-2200波维时尚脸盆、
K-2200T-G可尼贝尔时尚脸盆、

K-2332霍特柯时尚脸盆

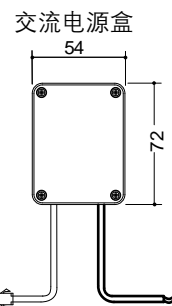
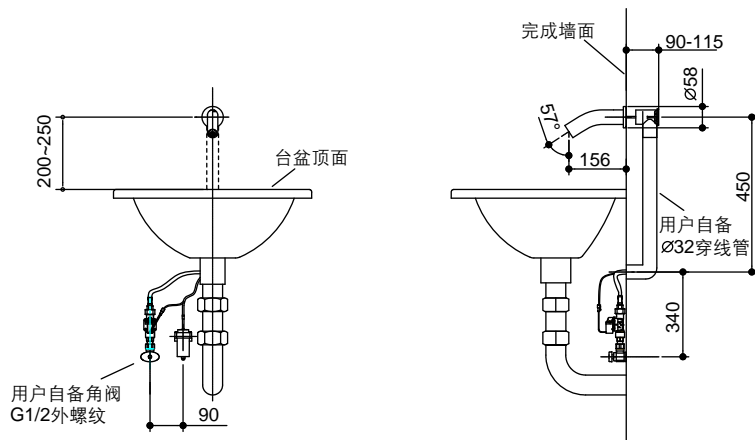
K-2661T Forefront Square Vessel
K-4819 Reve™ Vessel Lavatory
K-14223-SP Serpentine Bronze™ Vessel Lavatory
K-2833T DemiLav Lavatory
K-2203T-G Hex Stratal™ ABOVE-THE-
COUNTER VITREOUS Lavatory
K-19047T Escale® VITREOUS CHINA VESSEL
K-2390 Inscribe® Vessel Lavatory
K-2530W-M6 Leaf™ Vessel Lavatory
K-14223-G4 Garden Bandana™ Vessel Lavatory
K-2200Bouclé Tweed Vessel Lavatory
K-2200T-G Conical Bell™ ABOVE-THE-
COUNTER VITREOUS CHINA Lavatory
K-2332 WatercOv™ Vessel Lavatory

安装尺寸

ROUGH-IN DIMENSIONS

8396T-CP

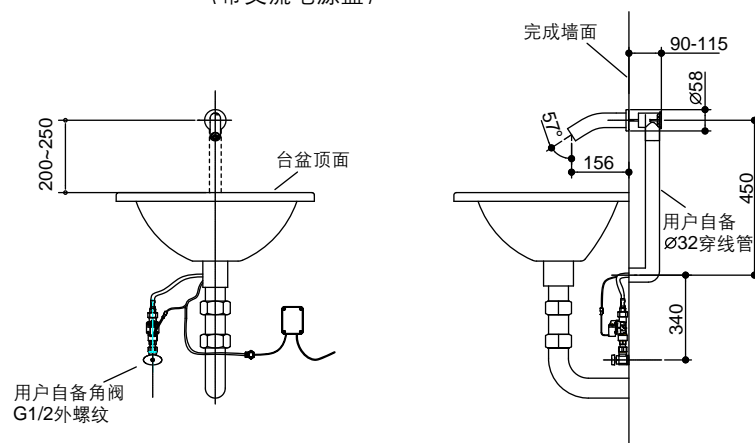
欧宝入墙式单冷直流感应龙头



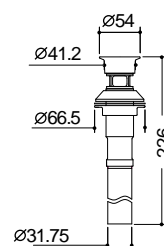
Output: DC3V Input: AC220V
输出: 直流电压6V 输入: 交流电压220V

8398T-CP

欧宝入墙式单冷交流感应龙头
(带交流电源盒)



排水组件



注意:在选用台上盆时,安装后从台面到台盆最高处不要超过10cm,否则可能影响美观以及手在使用时的舒适性。

Note: it's recommended not over 10cm from the highest surface of lavatory when select countertop, otherwise that may affect the appearance and comfort.

技术参数

PARAMETERS

电源: 直流 4节5号碱性电池(LR06×4)

交流 电压220V,频率50/60HZ

检测时间: 小于0.75秒

关阀延时: 0.5~2秒

感应距离: 自动调节

流量: 水压为0.1MPa时, 流量不大于0.0315L/s

超时用水控制: 超时用水1分钟, 自动止水。

环境温度: 1~55℃

进水温度: 0.5~71℃

适用水压: 0.05~0.86MPa

Power: DC 4 pieces of AA size alkaline batteries

AC 220V, 50/60HZ

Sensor Duration: Less than 0.75s

Shut-off Delay: 0.5~2s

Sensing Distance: Automatic adjustment

Flow Rate: No more than 0.0315L/s at 0.1MPa.

Overtime Flowing Control: Automatically stop flushing when the faucet senses an object for more than 1 minute continuously

Ambient Temperature: 1~55℃

Supply Water Temperature: 0.5~71℃

Supply Water Pressure: 0.05~0.86MPa

安装步骤

INSTALLATION

一 安装暗装架组件

根据台盆大小确定安装方式，确保龙头出水中心正对台盆中心位置。

1. 凿挖安装槽坑

根据安装尺寸图确定安装位置，凿出槽坑，埋设供水管，暂不供水。槽深70~105mm，尺寸如图。安装位置应避免光源直射或反射进入感应窗口，不能在感应器正对面有易反射的物品（如镜子、光亮不锈钢件及其他镜面物体等）；不能靠近强烈紫外线或电磁场。

在安装尺寸位置钻孔，打入膨胀管。

2. 固定暗装架组件

将暗装架组件放入槽内，并用自攻螺钉固定。

不能拿掉出水接头保护罩（1），保证暗装架的底部与完工墙面的距离在70~105mm之间，如图（I）。

保证暗装架组件的底部与墙面垂直，不能歪斜，如图（II）。

Install Bracket Assy.

Determine installation method per lavatory size, and make sure the C/L of faucet outlet aligned with the center of the lavatory.

1. Chisel out a Slot

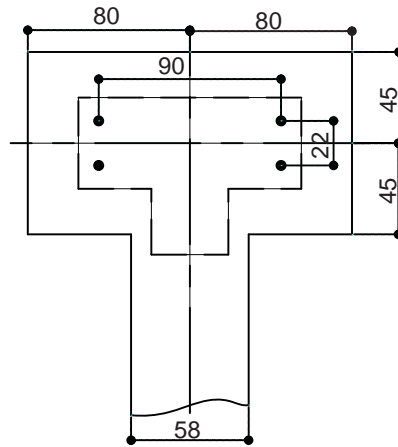
Determine the installation location per rough-in. Chisel out a slot and lay down the water supplies. Turn off the water supply temporarily. The depth of the slot should be no less than 105mm, and its size as shown in figure. The installation area shall be located at the place where no direct light is allowed to enter or reflected into the sensing window, where no objects susceptible to reflection are placed at the frontal head(e.g., mirror, polishing stainless steel and some other polished plate); where no strong ultraviolet radiation or electromagnetic field is found nearby.

2. Fix Bracket Assy.

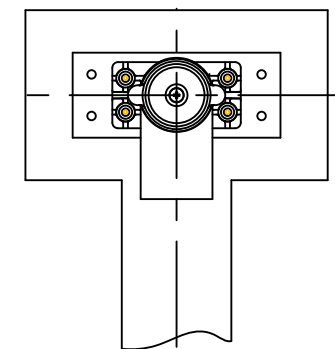
Connect outlet(2), bushing(3) and bracket assy. (4) together. Be careful not to pose excessive force on bracket so as to avoid distortion, and place the completed assy. into the slot.

Do not remove outlet connection escutcheon(5). Adjust the thickness of tabs depending upon the maximum and minimum embedding depth marked on outlet connection escutcheon(5) to make the finished tiles located between the maximum and minimum mark as shown in Fig.(I).

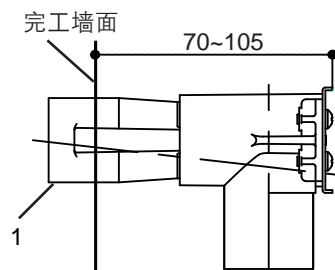
Secure the completed assy. with tabs to make it flat and upright as shown in Fig. (II). Make the bracket assy. vertical with the finished wall and avoid deflection.



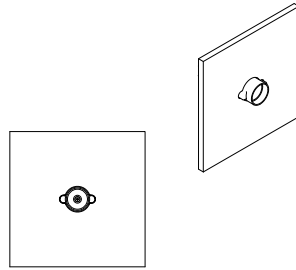
图(I)
Fig.(I)



图(II)
Fig.(II)



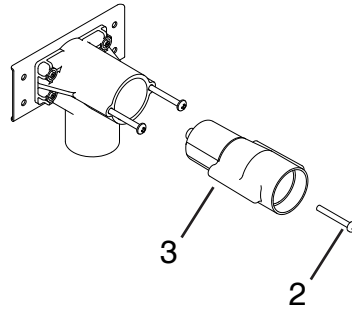
用灰浆填埋槽道，在瓷砖上打好孔
张贴瓷砖后的墙面如图。



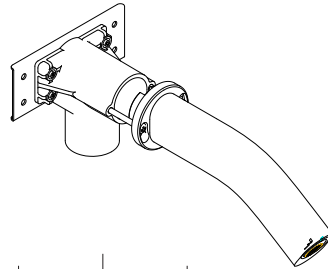
Fill slurry into the slot and drill holes
on tiles as shown.

二 安装龙头

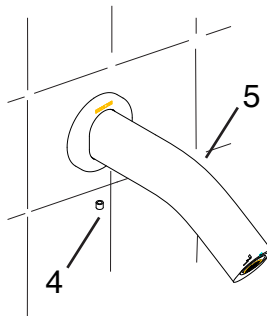
1. 拧下自攻螺钉(2), 拔出灰浆模套(3)。



2. 将龙头的进水软管和线束穿入
安装支架，由出线管穿出，将龙
头穿入安装组件上的螺钉，旋转
一定的角度，拧紧螺钉，尽量调
整龙头的出水方向对准脸盆。



3. 将装饰盖(4)由龙头的出水口穿
入，使用螺钉(5)固定。



Install Faucet

1. Screw down and remove the
slurry mold.

2. Put inlet pipe and wires throughout
the bracket assy. Screw up the spout
make sure the spout working towards
the basin.

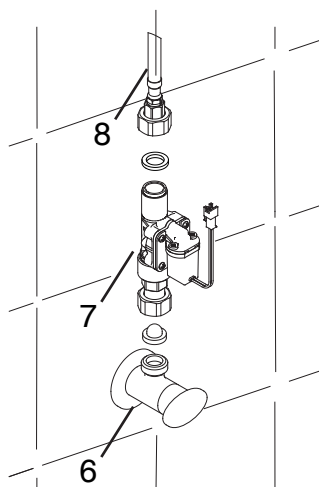
3. Fix the escutcheon by screw.

三 安装阀体组件

关闭角阀 (6)

将主阀体组件 (7) 进水口处的保护
帽旋出，将主阀体组件 (7) 进
水口与角阀 (6) 连接，出水口与软
管 (8) 连接。注意主阀体组件与墙
面保持平行。主阀体进水口处滤网
垫片和出水口处的平垫不要遗漏，
与角阀连接牢固。

注意：建议在连接供水时，在供水管
上连接一个临时橡皮或塑料软管，
冲洗供水管道，确保水干净，管道
内无沙石、垢物等。



Install Valve Assy.

Turn off check valve (6).

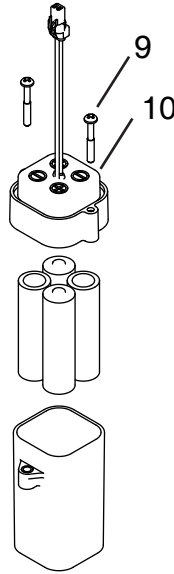
Revolve out the protection cap on the
inlet of valve assy (7), connect the inlet
of valve assy (7) with check valve (6),
and outlet with hose (8). Please note the
valve assy. should be paralleled with the
wall. Do not lose the washer on the inlet
of valve assy to make sure it firmly
connected with check valve.

NOTE: It is recommended that a
temporary rubber or plastic hose is
attached to the inlet pipe, and the
water supply line should be flushed
clean of dirt and debris.

四 安装电池组件

1. 取出电池盒组件，旋松螺钉（9），按电池盒盖（10）上的正负极标示装入4节5号电池，紧锁电池盒盖（10）的螺钉（9）后。
注意：电池极性不能装反，新旧电池不能混用。

2. 在合适的位置打孔，打入膨胀管，用自攻螺钉固定电池盒。将相同颜色接插件分别连接。
注意：接插件位置朝上。



Install Batteries

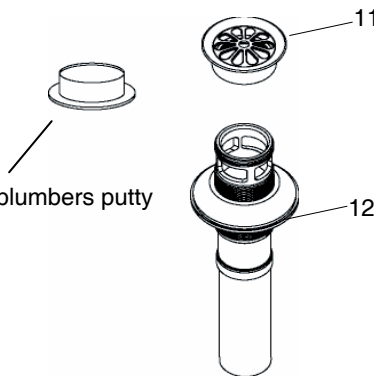
1. Take out battery box assy., and loosen the screws(9). Place 4 "AAA" batteries into the battery box according to negative and positive pole mark on the cover of battery box(10). Tighten the screws on the cover of battery box (10). Please do not mistake the battery polar, and do not mix the new and used batteries together.

2. Determine the installation location of battery box bracket per rough-in. Drill holes and place sheath in it. Fix battery box bracket with screws

五 安装排水组件

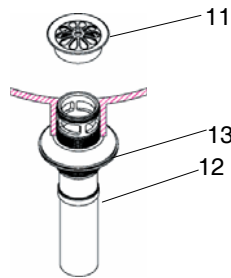
旋下排水器盘片(11)，在其底面沿周围涂上一圈密封油灰。把排水本体(12)由底下插入面盆。

Apply plumbers putty
涂油灰

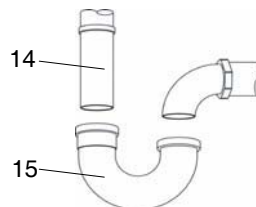


把排水器盘片(11)旋入排水本体(12)。从下方用手拧紧锁紧螺母(13)，去除多余的油灰。

注意：在锁紧螺母(13)拧紧后，不可再调整排水本体的位置，否则将会破坏油灰密封。



把尾管(14)接上存水弯(15)，尾管需插入存水弯25mm到55mm之间。



Install the Drain

Screw off the drain flange (11) from drain. Apply a ring of plumbers putty around underside of the drain flange(23). Insert the drain body(12) into the lavatory from the underside.

Thread the drain flange (11) onto the drain Body (12). Tighten the locknut (13) by hand from the underside of the fixture. Remove any excess putty.

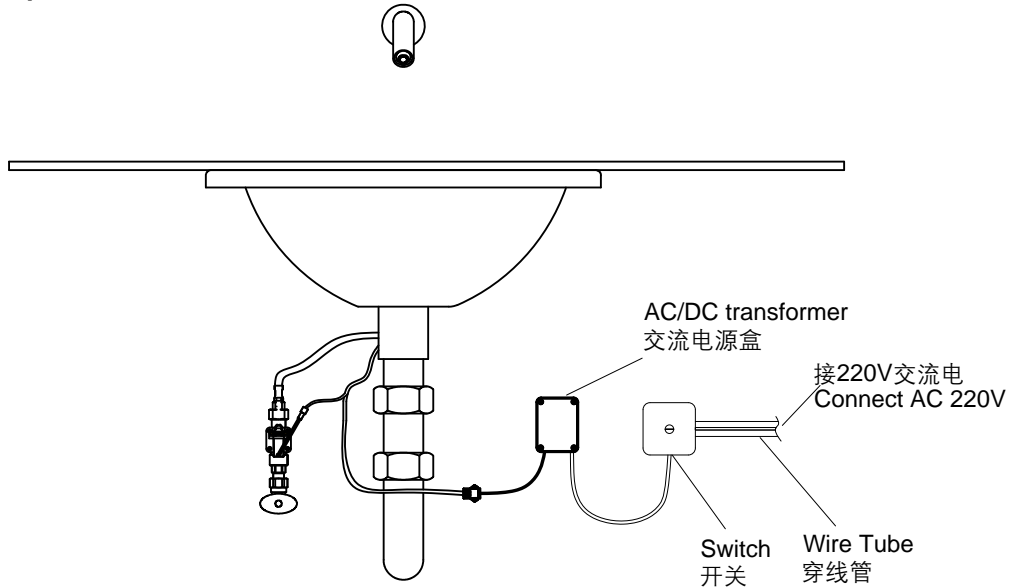
Note: Do not try to change the position of the drain after the locknut(13) is tightened, or you may break the putty seal.

Connect the tailpiece(14) to the trap(15). The tailpiece should extend 25mm to 55mm into the trap.

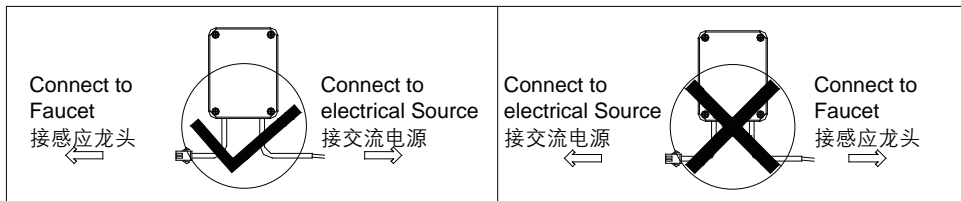
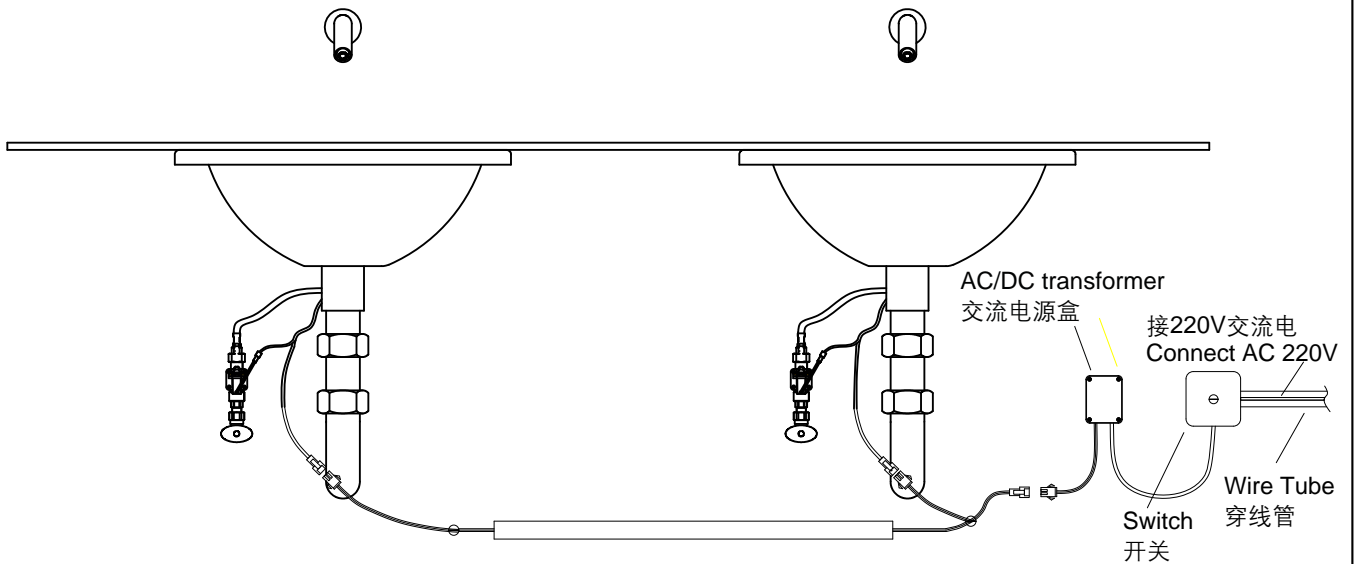
安装交流电源盒
(仅限于交流感应龙头)

INSTALL THE AC/DC
TRANSFORMER (ONLY USED
WITH TOUCHLESS FAUCET, AC)

一个交流电源盒供一个感应龙头
Wire connection pattern for one to one



一个交流电源盒供两个感应龙头
Wire connection pattern for one to two



注意：禁止将交流AC220V接入直流DC接线端。

Note: Not allowed connect AC 220V electrical source to DC wire connector of AC/DC transformer

1.电源盒(背面有不干胶)应安装在干燥,不会被水淋湿、浸泡的位置。根据需要客户自备穿线管及连接线。穿线管安装在墙内。建议交流电源线采用带绝缘和护套层的电线,导体标称截面积 $\geq 0.5\text{mm}^2$;直流连接线采用导体标称截面积 $\geq 0.3\text{mm}^2$ 的电线。请严格按照上图进行连接。

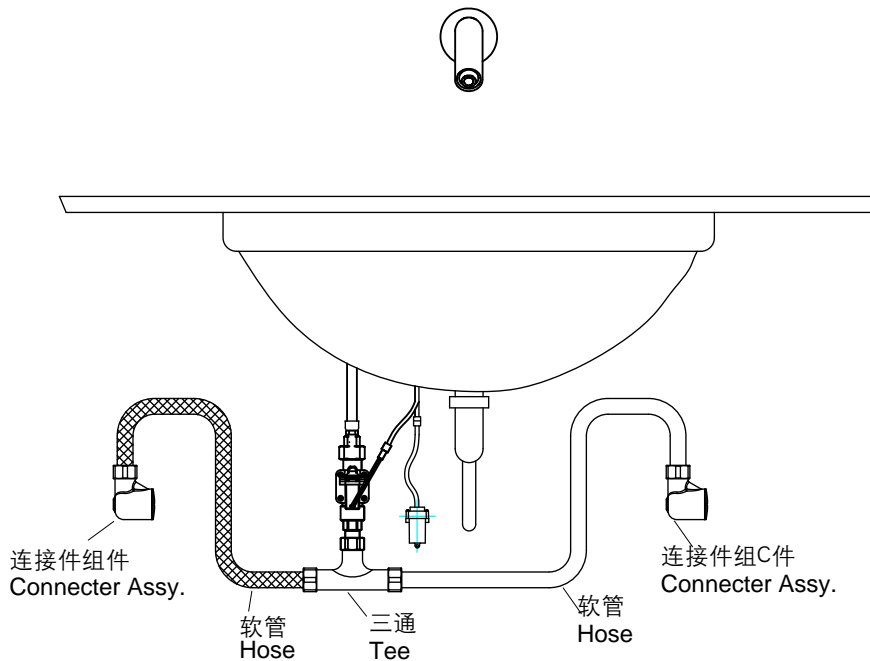
2.排线完毕后,应检查并确保所有排、接线无误,再分别连接电源盒AC接线端与排线管内交流接线端,以及电源盒DC接线端(黑橙线接头)与龙头的电源线接插件(从阀盒内引出的电线),最后打开AC电源,龙头进入10分钟自动调距阶段,此过程龙头不会出水。

1. Install AC power unit (sticker on the back) dry, and avoid showering, soaking from water. Customer prepare wire tube and wire according to requirement. Wire tube should be put into the wall. Suggested wire: AC connection wire should with insulated protecting layer or sleeve and the section should be bigger than 0.5mm^2 . The section of DC connection wire should be bigger than 0.3mm^2 . The connection pattern must according to illustrations above.

2. After wire layout finished, check and repair if needed. Then connect AC connector of AC/DC transformer to electrical source from the control box, and DC connector of AC/DC transformer to faucet. Turn on AC electrical power, faucet will be in the period of automatic adjusting sensing distance (about 10minutes). The faucet will not work during this period.

如何转换成混水感应龙头
(若用户另购连接件组件16322T-NA,
具体安装详见其说明书)

HOW TO CHANGE TO MIXING SENSOR FAUCE (If users buy the stop valve 16322T-NA, the installation refer to the manual of 16322T-NA)

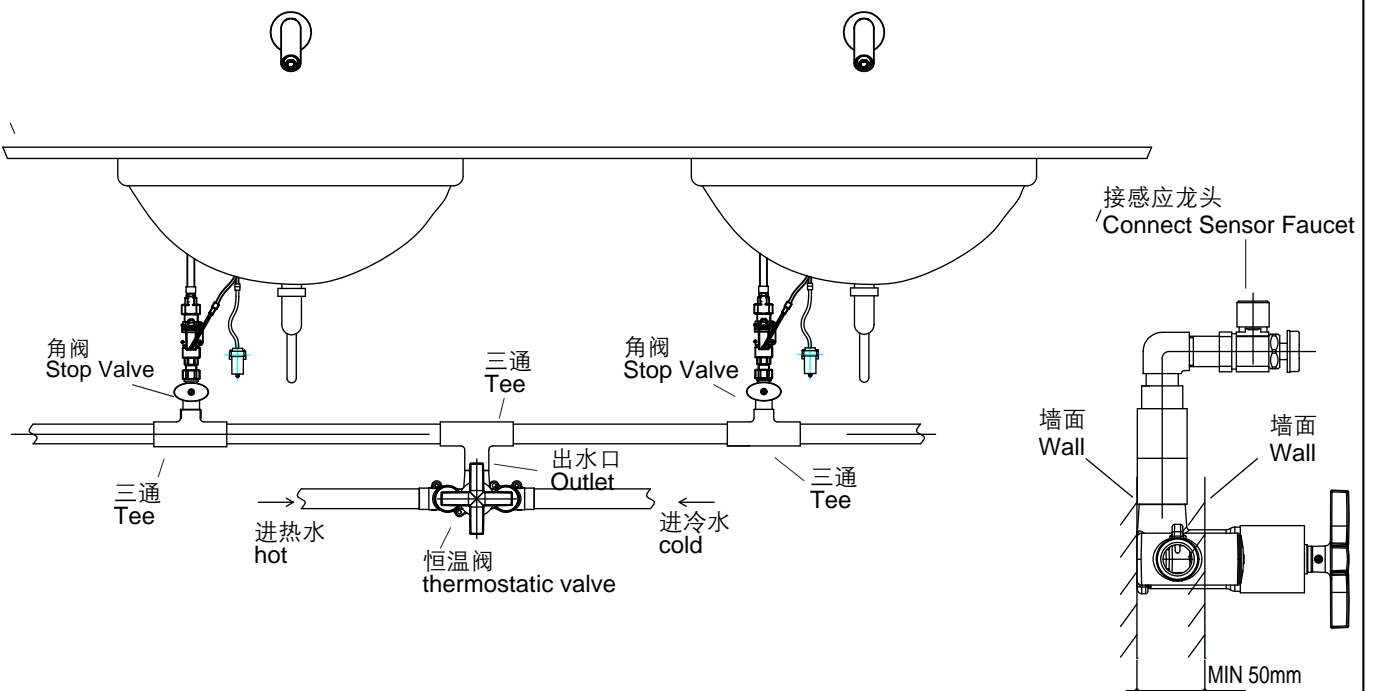


注：软管、三通请用户自备。

Note: Please let users prepare the hose and tee by themselves.

如何转换成恒温阀感应龙头
(若用户另购恒温阀16294T-3-CP,
具体安装详见其说明书)

HOW TO CHANGE TO THERMOSTATIC SENSOR FAUCET (If users buy the thermostatic valve 16294T-3-CP, the installation refer to the manual of 16294T-3-CP)



注：软管、三通、角阀请用户自备。

Note: Please let users prepare the hose, tee and check Valve by themselves.

安装结果检查

检查并确保所有衔接处都已拧紧，打开排水系统和主要供水源，检查并修理有漏水的接口。

INSTALLATION CHECKOUT

Check and ensure that all connections are tight. Open the drain. Turn on main water supply and check for leaks. Replace as required.

清理说明

适用于所有加工处理过的表面，以中性肥皂水清洗镀层表面，再以干净的软布彻底擦干整个表面。许多清洁剂，比如氨水，去污粉及洁厕灵等，会对电镀表面造成伤害，切忌使用。

有腐蚀性的清洁剂或溶剂不可使用于科勒的水龙头及其配件上。

CLEANING INSTRUCTIONS

All Finishes: Clean the finish with a mild soap and warm water. Wipe entire surface completely dry with a clean soft cloth. Many cleaners may contain chemicals, such as ammonia, chlorine, toilet cleaner etc. which could adversely affect the finish and are not recommended for cleaning.

Do not use abrasive cleaners or solvents on Kohler faucets and fittings.

用户须知

IMPORTANT CONSUMER INFORMATION

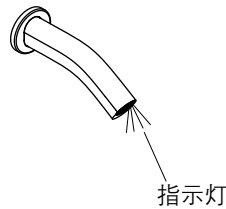
1. 感应指示灯的各种闪烁情况

感应指示灯是使用者了解感应龙头有效、唯一的途径。所以明白了感应指示灯闪烁所代表的含义，可以正确使用感应龙头，如图示：

(1) 快速闪烁，代表感应龙头正处于通电后的十分钟自动调节阶段。期间，安装者、使用者不得干扰其自动调节，感应范围内不要放置物体。

(2) 间隔约2秒钟连续闪烁：若直流感应龙头，代表龙头电池耗尽，已停止工作，等待使用者更换电池；若交流感应龙头，表示为两种情况：一种为刚刚停电；另一种为在交流供电正常的情况下，则电源盒直流接线端接触不良。

(3) 在正常工作情况下，当有物体被感应时，龙头出水，感应指示灯闪烁一次。（龙头关闭，感应指示灯不闪烁。）



1. Note of the Indicator Flashing

The indicator is the only and effective way to learn the faucet's working conditions. So the users can use the sensor faucet correctly with knowing the meaning of the sensor indicator's flashing.

(1) Fast flashing means the faucet is in the period of adjusting sensing distance after power on for 10 minutes. During these 10 minutes, please do not put objects in the sensing range.

(2) The indicator flashes every 2 seconds: As for DC type faucets, the symptom indicates that the unit is out of battery and ceases working. Recommend to replace batteries. As for AC type faucets, there're two possibilities. One possibility is that the unit is out of battery while the other is that bad wire connection occurs to DC terminal of the power box provided AC supply functions normally.

(3) In normal condition, the water will flow and the indicator will flash one time when objects are inducted. (The indicator does not flash when faucet stops flowing.)

2. 超时出水控制

连续在感应状态下使用约一分钟，龙头自动止水。自动止水后，手或物体离开感应范围后，再次进入感应范围内，龙头正常工作，否则无反应。

2. Overtime Flowing Control

When the faucet works for about 1 minute continuously, the water will be shut off automatically. After that, objects must be removed from the sensing range. Then the water will flow when objects go into the sensing range again. Otherwise, the faucet will not work.

3.自动止水智能控制

物体进入感应范围内被感知，龙头自动出水。若15秒钟静止不动，水龙头自动止水。自动止水后，手或物体离开感应范围后，再次进入感应范围内，水龙头正常工作，否则无反应。

3. Intelligent Stopping Flowing

Water will flow out when object are putted into the sensing range. If the objects hold still for 15 seconds, the faucet will shut off automatically. After that, objects must be removed from the sensing range. Then the water will flow when objects go into the sensing range again. Otherwise, the faucet will not work.

4. 清洗过滤系统

该感应龙头的阀体组件内已包含了优良的过滤装置。如管内杂质过多或水质较差，长期使用会引起出水情况不良。请按以下步骤清洗过滤装置：

1 关闭角阀。

2 将主阀体组件取下，拿出滤网，用水冲洗完毕后，重新装入。

注意：在清洗完滤网后，不要遗失平垫。

4. Clean the Filtration System

The faucet includes connector assembly with high quality filtration system. If there is a lot of debris in the supply pipes or the quality of water is bad, it will cause the flow in bad condition. Please clean th filtration system as following steps:

1. Close the angle valve.

2. Remove the valve assembly and take out the filter for cleaning, then re-install it.

Notice: Make sure to install the filter washer after cleaning the filter

常见故障排除

以下部分故障现象可通过指示灯闪烁情况识别。（参考“感应指示灯的各种闪烁情况”）

现象	原因	处理方法
不出水 (感应指示灯不闪烁)	无电池或电池装反(直流电) 无电源或接线有误(交流电) 感应范围内有其它物体 感应窗口较脏 接线端未插好、插错	检查电池 检查总电源和接线情况 移开物体 清洁窗口 检查接线端
感应指示灯每2秒快速 闪烁1次而不出水	电池耗尽(直流电) 刚刚停电(交流电) 直流或交流接线端接触不良(交流电)	更换电池 检查总电源 重新连接接插件
感应指示灯闪烁 不出水	刚装机完毕 阀体组件关闭 起泡器脏堵 过滤装置堵塞	等待 10分钟 打开阀体组件 清洗起泡器 清洗过滤装置
感应指示灯闪烁 出水量小	阀体组件是否彻底打开 过滤装置堵塞 起泡器脏 水压太低	用内六角扳手逆时针旋转阀体组件 的调节螺栓 清洗过滤装置 清洗起泡器 检查供水系统
约一分钟以内不止水 (感应指示灯不闪烁)	感应范围内有物体	移开物体

如按以上操作仍未解除故障，请与销售商或科勒(中国)投资有限公司联系。
除安装更换电池外，请勿随意拆卸龙头其它部件。

TROUBLE SHOOTING

Some trouble symptoms can be identified by the indicator's flashing. (Refer to "Note of the Indicator Flashing")

Symptoms	Probable Causes	Corrective Action
No water flow (Indicator not flashing)	No battery or wrongly connected No power supply or wrong connection Object in sensing range Dirt on the sensing window The connector does not connect well	Check the batteries Check the power supply and the connction Remove the object Clean the sensing window Check the connector
The indicator flashes once every 2 seconds and the water doesn't flow out.	Batteries are out of power Just power cut DC or AC connector of AC/DC transformer may not connect well	Replace batteries Check the power supply Reconnect the connector
No water flow while the indicator flashes	Just finishing installation The connector assemblies are closed Aerator is blocked The filter is blocked	Wait for 10 minutes Open the connector assemblies Clean the aerator Clean filter
Low water flow while the indicator does not flash	The connector assemblies are not open completely The filter is blocked Aerator is dirty The supply water pressure is lower	Turn counterclockwise the adjustment bolts on connector assemblies with the hex wrench Clean filter Clean the aerator Check the water supply system
Keep water out within 1 minute while indicator does not flash	Object in sensing range	Remove object

Please contact with distributor or Kohler China Investment Co., Ltd., if the trouble remains after above-mentioned actions are taken.
Please do not disassembly the other parts of the faucet freely except installing and replacing batteries.

