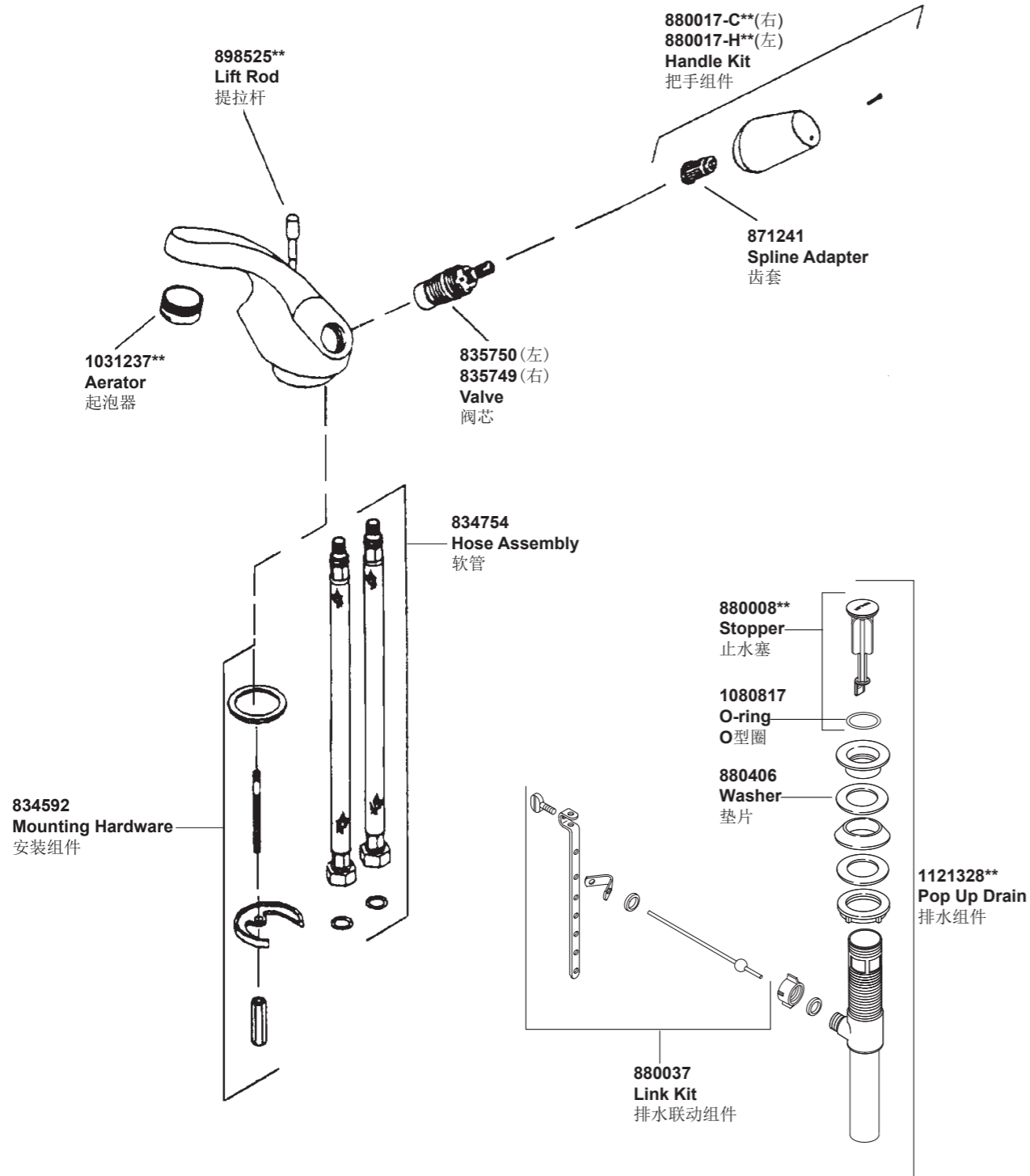


8611T-1 单孔双把手脸盆龙头



**订购时请说明颜色编号
**Color code must be specified when ordering

8611T-1 单孔双把手脸盆龙头

安装之前

所有的资料是按最新出版的产品资料编写而成。科勒公司保留任何时候不经通知即可改变产品特性、包装或产品可供类型的权利。

说明书包括重要的安装、保养及清洁方面的内容，请把这些资料交给用户阅读。

注意事项：

1. 一定要先彻底冲洗供水管以清除管道中的杂质。
2. 如果是安装新的洗脸盆，可将水龙头和排水组件先装到洗脸盆上。

BEFORE YOU BEGIN

All information is based on the latest product information available at the time of publication. Kohler Co. reserves the right to make changes in product characteristics, packaging, or availability at any time without notice.

Please leave these instructions for the consumer. They contain important information.

NOTES:

1. Flush the water supply pipes thoroughly to remove debris.
2. For new installations, assembly faucet and drain to lavatory before installing lavatory.

使用说明

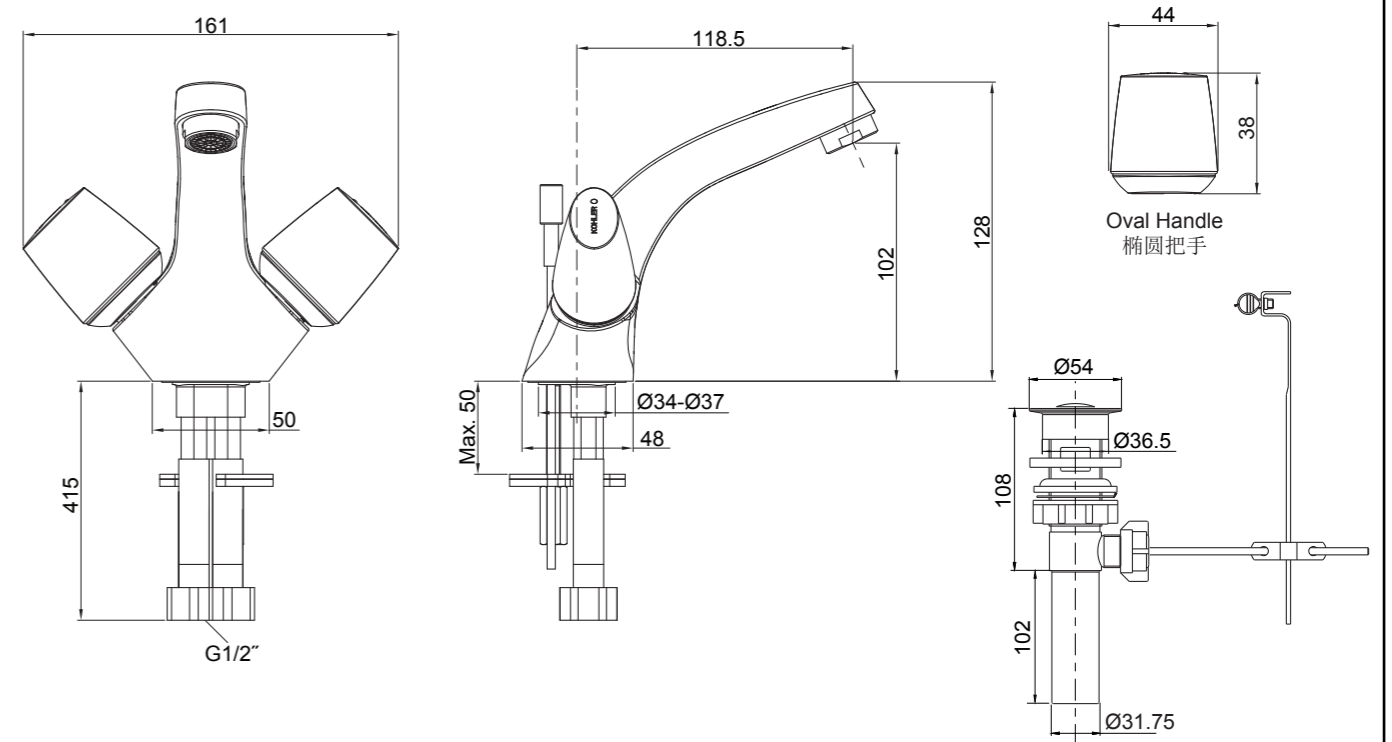
顺时针旋转左把手为开，逆时针旋转右把手为开。

HANDLE OPERATION

Left handle opens with one-quarter turn clockwise. Right handle opens with one-quarter turn counter-clockwise.

安装尺寸

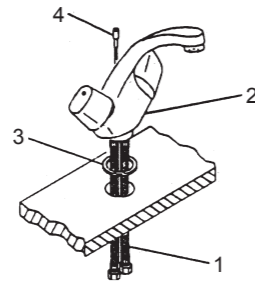
ROUGH-IN DIMENSIONS



安装步骤

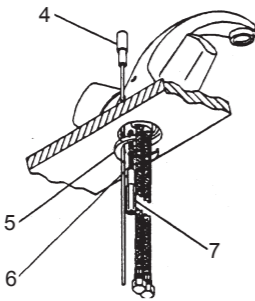
如何安装水龙头

把供水软管(1)接到水龙头(2)底部,用手拧紧即可。把垫片(3)套在软管和固定螺杆上,并嵌入水龙头的槽中。把软管插入洗脸盆的孔中,然后把提拉杆(4)插入水龙头后方的小孔中。



如有需要,建议在垫片(3)周围涂一圈密封油灰以加强密封。

从洗脸盆的下方把托架(5)和螺母(7)装在固定螺杆(6)上。调整水龙头的方向使提拉杆在后方,把螺母拧紧使水龙头固定在洗脸盆上。



把软管连接到水源。水龙头的左边是热水,右边是冷水。

INSTALLATION

How To Install The Faucet

Install the flexible supply hoses(1) into the faucet body base(2). Tighten it by hand. Slide washer(3) over the flexible supply hoses(1) and into groove on body assembly. Insert faucet into hole in lavatory. Insert lift rod(4) into hole at rear of body assembly.

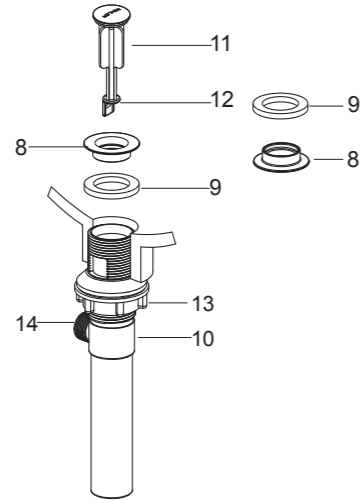
A ring of plumbers putty is recommended to use around the washer(3) if needed.

From underside of lavatory place bracket(5) and nut(7) onto mounting stud(6). Position faucet so that lift rod(4) is toward the back. Tighten nut securing faucet to lavatory.

Attach the hoses to water supplies. When facing front of faucet, the left hose is hot water, the right hose is cold water.

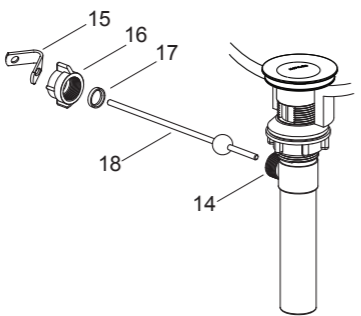
如何安装排水器

将止水塞(11)、法兰盘(8)及垫片(9)从排水本体(10)上取下。把排水本体组件从脸盆下方插到脸盆中,排水杆口(14)朝后方。把法兰盘带垫片旋入排水本体中,从下方用手拧紧锁紧螺母(13)。



注意: 如果需要,可直接在法兰盘(8)底面沿周围涂一圈密封油灰,或其他密封剂,而不使用垫片(9)。

把止水塞(11)放入排水本体中,调整止水塞末端的洞口(12)使其靠近并对正排水杆的洞口。



将固定螺母(16)取下,把塑料垫圈(17)及固定螺母装在球杆(18)上,把球杆组件插入排水杆洞口中并穿过止水塞,拧紧固定螺母。

How To Install The Drain

Remove stopper(11), flange(8) and washer(9) from drain body(10). Insert drain body kit into the lavatory from underside, and make sure the drain lever hole(14) facing to the back of the lavatory. Screw the flange with washer into the drain body. Tighten the locknut(13) by hand from the underside of the fixture.

NOTE: If needed, apply a ring of plumbers putty around the underside of the drain flange(8), instead of using washer(9).

Place stopper(11) into drain body aligning the flat side of stopper hole(12) with the drain lever hole.

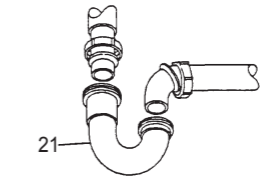
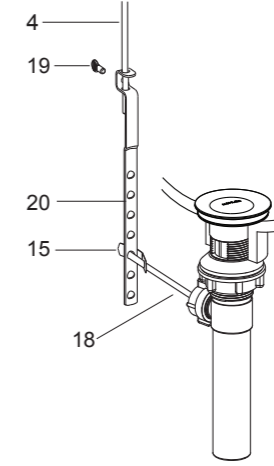
Remove the retaining nut(16). Fit the plastic washer(17) and retaining nut onto the ball lever(18). Insert the ball lever assembly into the drain lever hole and through the stopper hole. Tighten the retaining nut.

确保球杆(18)指向脸盆后方,用扳手拧紧排水本体上的锁紧螺母(13)。

注意: 在锁紧螺母拧紧后,如法兰盘使用密封油灰,则不可以调整排水本体的位置,否则会破坏油灰密封的密封性。同时去除多余油灰。

把手捻螺丝(19)装到联杆(20)上。用V形夹(15)将联杆连接到球杆(18)上,将提拉杆(4)插入联杆的孔中,将球杆下推至排水组件全开位置,调整提拉杆位置。拧紧手捻螺丝(19)。

把尾管接上存水弯(21),尾管应插入存水弯25mm到50mm之间。



Be sure that the ball lever(18) points to the back of the lavatory, tighten the locknut(13) on the drain body by wrench.

NOTE: Do not reposition the drain if plumbers putty applied after the locknut is tightened, or you may break the putty seal. Wipe away excess plumbers putty.

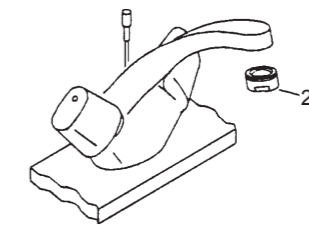
Assemble thumb screw(19) to link(20), and link onto ball lever(18) with 'V'-clip(15). Slide lift rod(4) into the hole in link. Push the ball lever down into the open position, and adjust the lift rod. Tighten thumb screw(19).

Connect the tailpiece to the trap(21). The tailpiece should extend 25mm to 50mm into the trap.

安装结果检查

检查并确保所有连接螺母都已拧紧。确保把手在关闭位置。打开排水器和主要供水源,检查并修理有漏水的接口。

将起泡器(22)卸下,打开水龙头的冷热水,让水流出约一分钟以清除杂质,检查渗漏。冲洗起泡器,并关闭水龙头,重新装回起泡器。



INSTALLATION CHECKOUT

Ensure all coupling nuts are tight. Ensure that handles are in the off position. Turn on main water supply and check for leaks. Repair as required.

Remove aerator assembly(22). Turn faucet handles on and run hot and cold water through spout for about a minute to remove any debris. Check for leaks at this time. Rinse the aerator assembly to remove any debris. Shut faucet off and reinstall aerator assembly.

清洗说明

适用于所有加工处理过的表面:以中性肥皂水清洗镀层表面,再以干净的软布彻底擦干整个表面,有许多清洁剂,比如氨水、去污粉及洁厕灵等,会对电镀表面造成伤害,切忌使用。

有磨损性的清洁用具或清洁剂也不可适用于科勒牌的水龙头及其配件上。

CLEANING INSTRUCTIONS

All Finishes: Clean the finish with mild soap and warm water. Wipe entire surface completely dry with clean soft cloth. Many cleaners may contain chemicals, such as ammonia, chlorine, toilet cleaner etc. which could adversely affect the finish and are not recommended for cleaning.

Do not use abrasive cleaners or solvents on Kohler faucets and fittings.