

78987T-4 Recessed Thin Bath Shower Trim Kit
78990T-4 Recessed Thin Shower Only Trim Kit

BEFORE YOU BEGIN

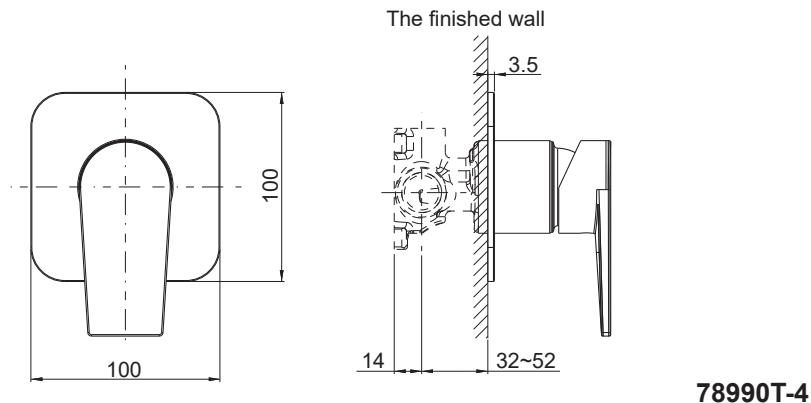
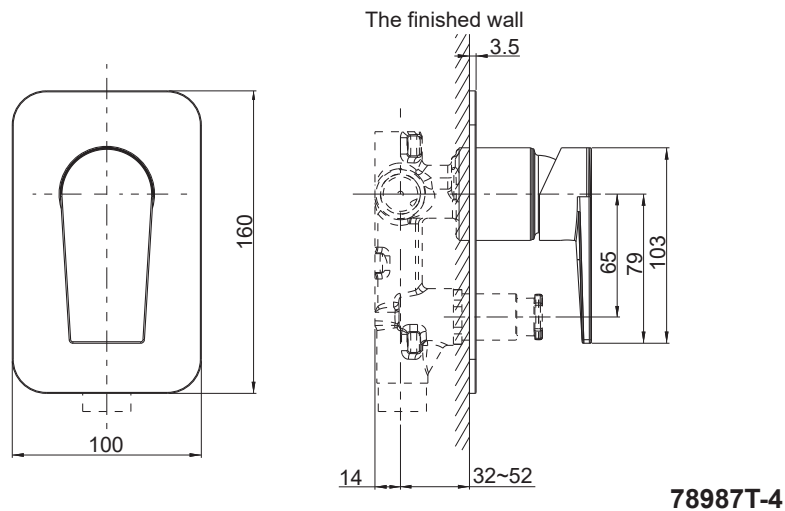
All information is based on the latest product information available at the time of publication. Kohler Co. reserves the right to make changes in product characteristics, packaging, or availability at any time without notice.

Please leave these instructions for the consumer. They contain important information.

NOTES:

1. Flush the water supply pipes thoroughly to remove debris.
2. An inline water filter must be used with this product.
3. Do not remove the rubber protector from the valve body until instructed to.
4. Install valve 78980T-DR according to the rough-in dimensions of 78987T-4, install valve 78981T-DR according to the rough-in dimensions of 78990T-4.
5. All installations should comply with the relevant requirements of AS/NZS 3500.

ROUGH-IN DIMENSIONS



INSTALLATION

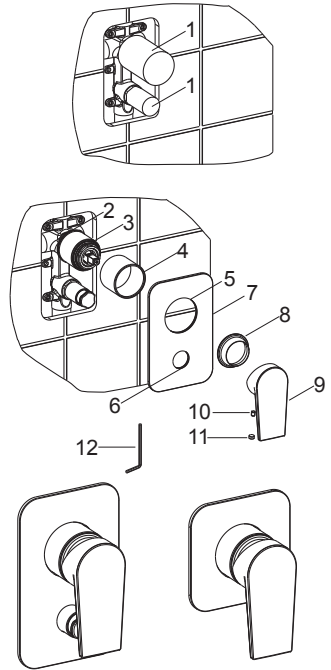
NOTE: Install valve 78980T-DR according to the rough-in dimensions of 78987T-4, Install valve 78981T-DR according to the rough-in dimensions of 78990T-4.

Remove the rubber protectors(1) after completed the finished wall.

Put the sleeve(4) onto the valve(3). **NOTE:** Don't squeeze out the O-ring(2). Apply a ring of plumbers putty or sealant around the back surface of the faceplate(7). Slide the faceplate onto the valve. **NOTE:** Don't squeeze out the O-rings(5,6). Push it against the wall. Wipe away excess plumbers putty.

Screw the bonnet(8) on the valve. Install the handle(9) on the valve stem. Secure the handle by the screw(10) with a hex wrench(12). Press plug button(11) to the hole.

The illustration shown is the correct position of the handle in the closed position.

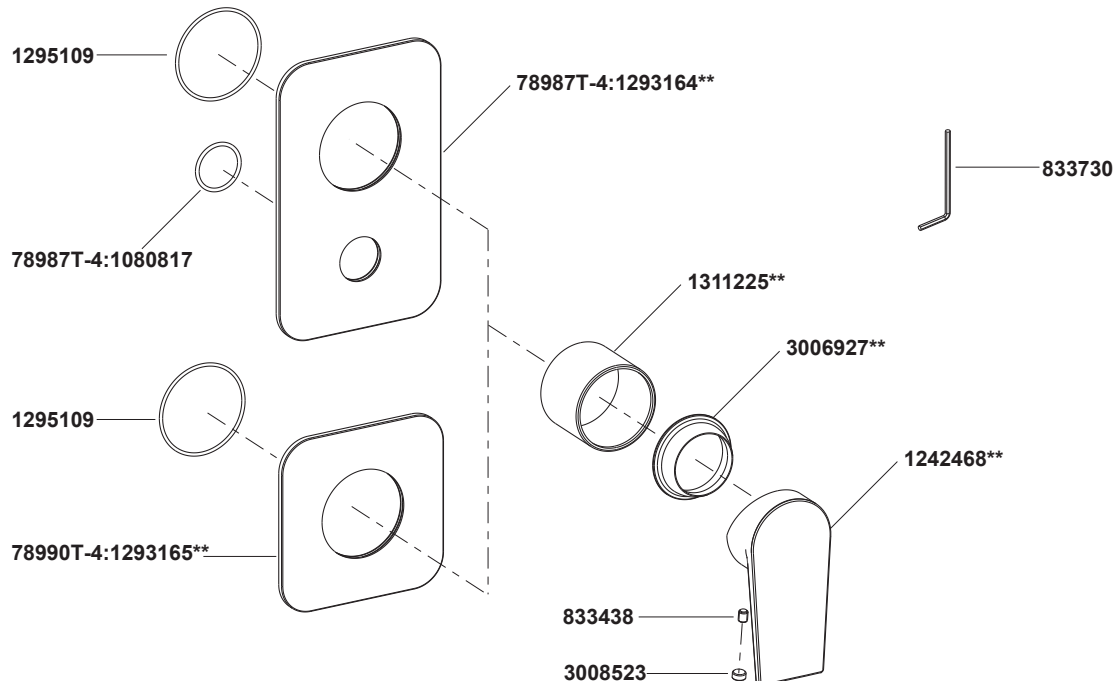


CLEANING INSTRUCTIONS

All Finishes: Clean the finish with mild soap and warm water. Wipe entire surface completely dry with clean soft cloth. Many cleaners may contain chemicals, such as ammonia, chlorine, toilet cleaner etc. which could adversely affect the finish and are not recommended for cleaning.

Do not use abrasive cleaners or solvents on Kohler faucets and fittings.

SERVICE PARTS



**Color code must be specified when ordering.