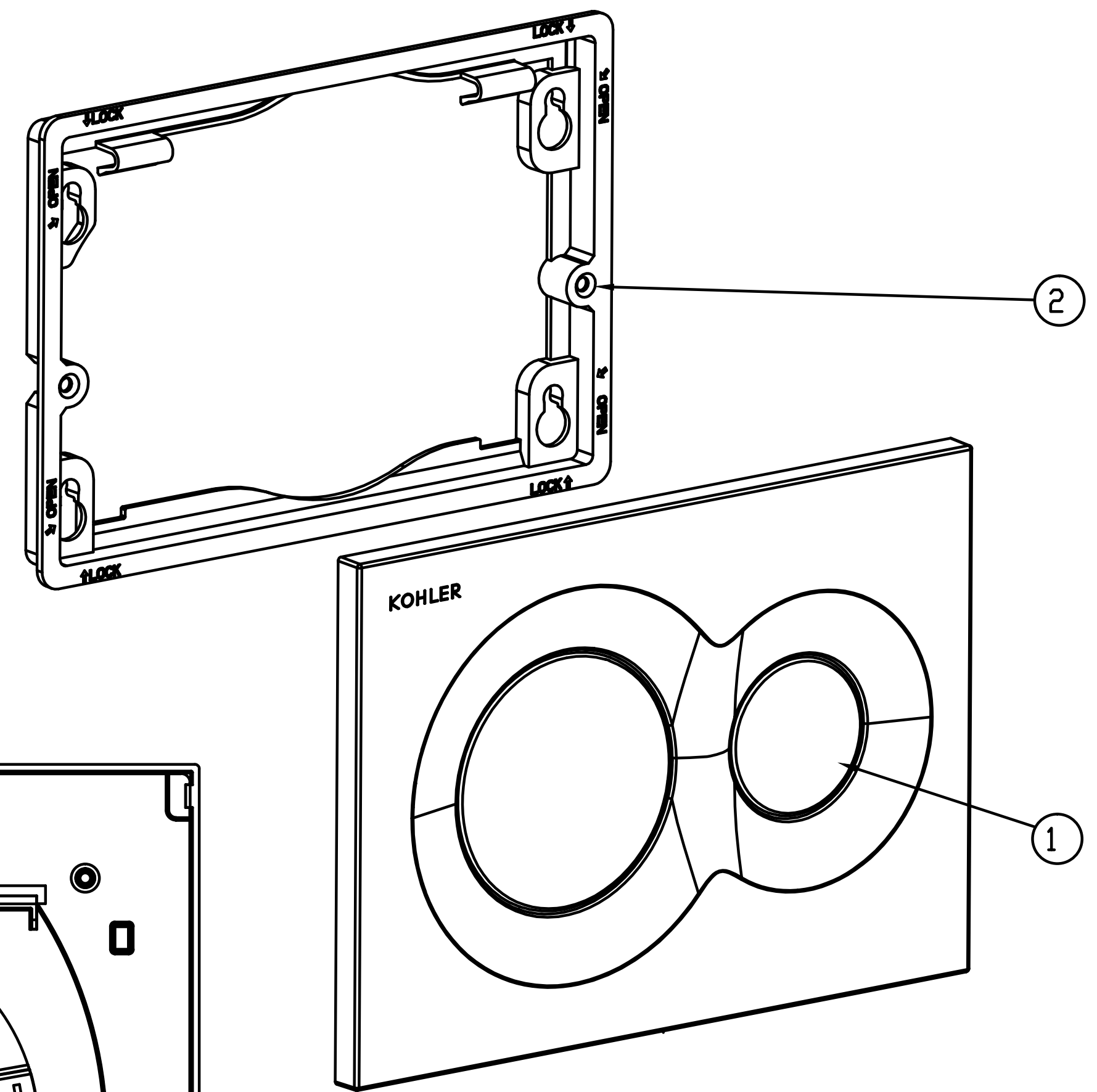
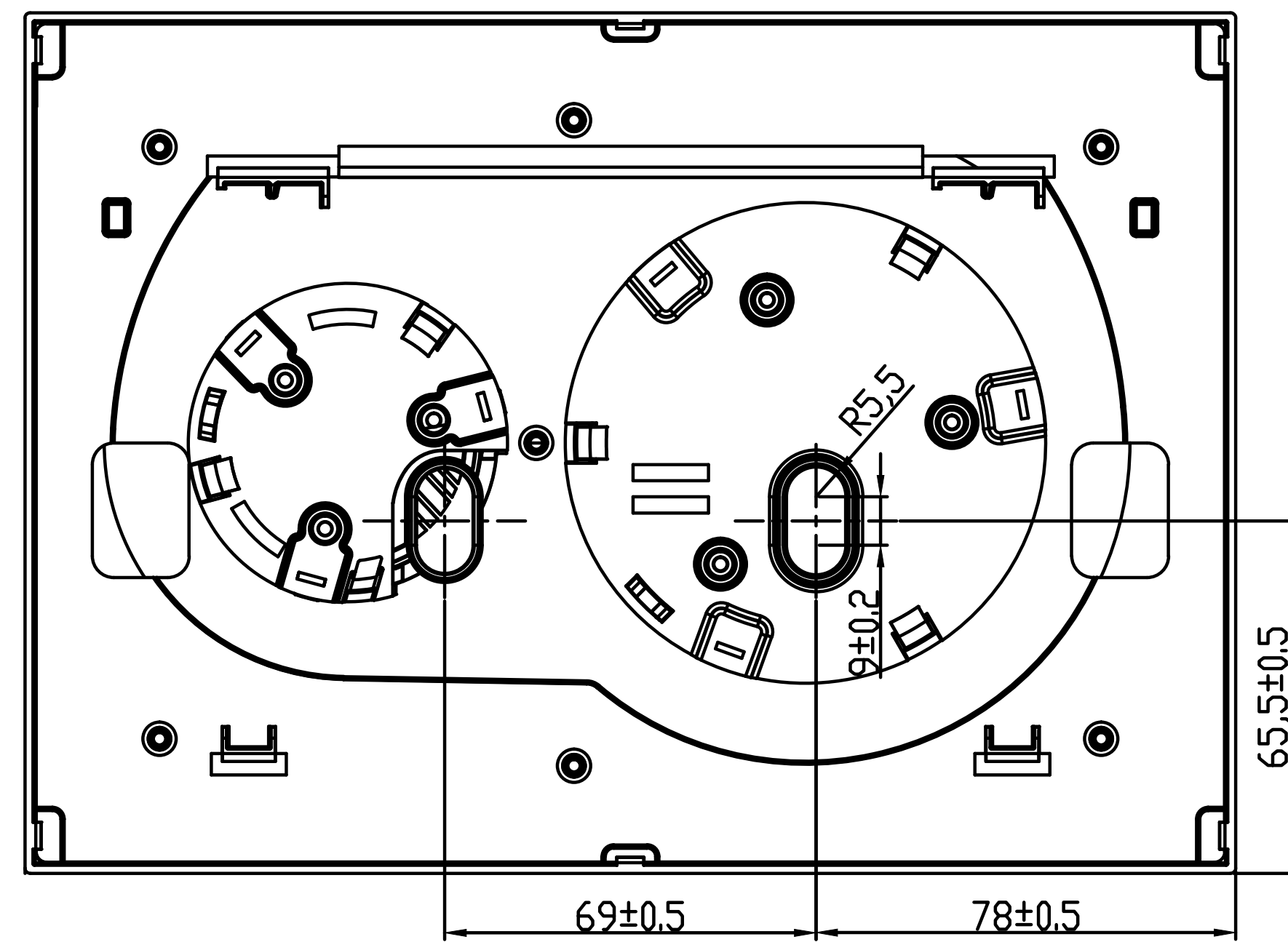
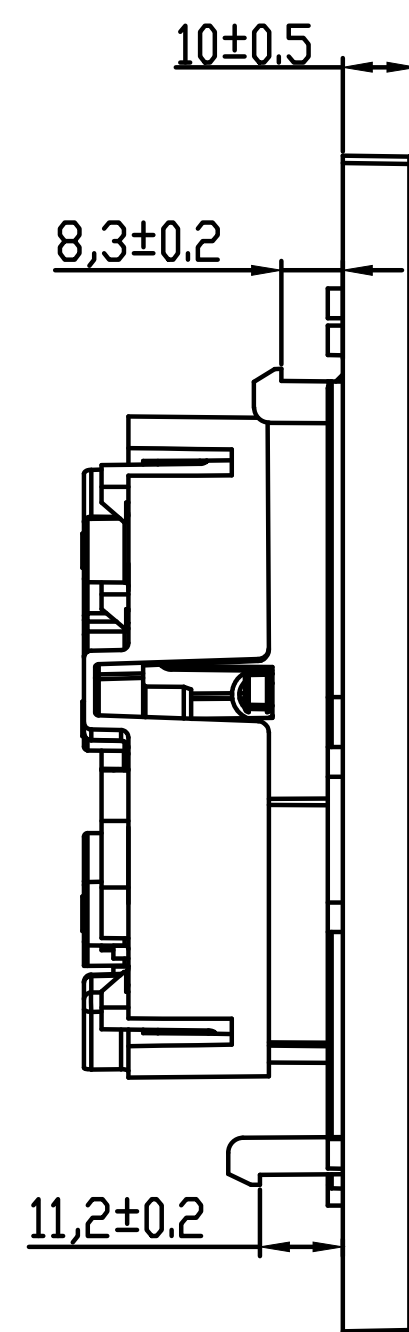
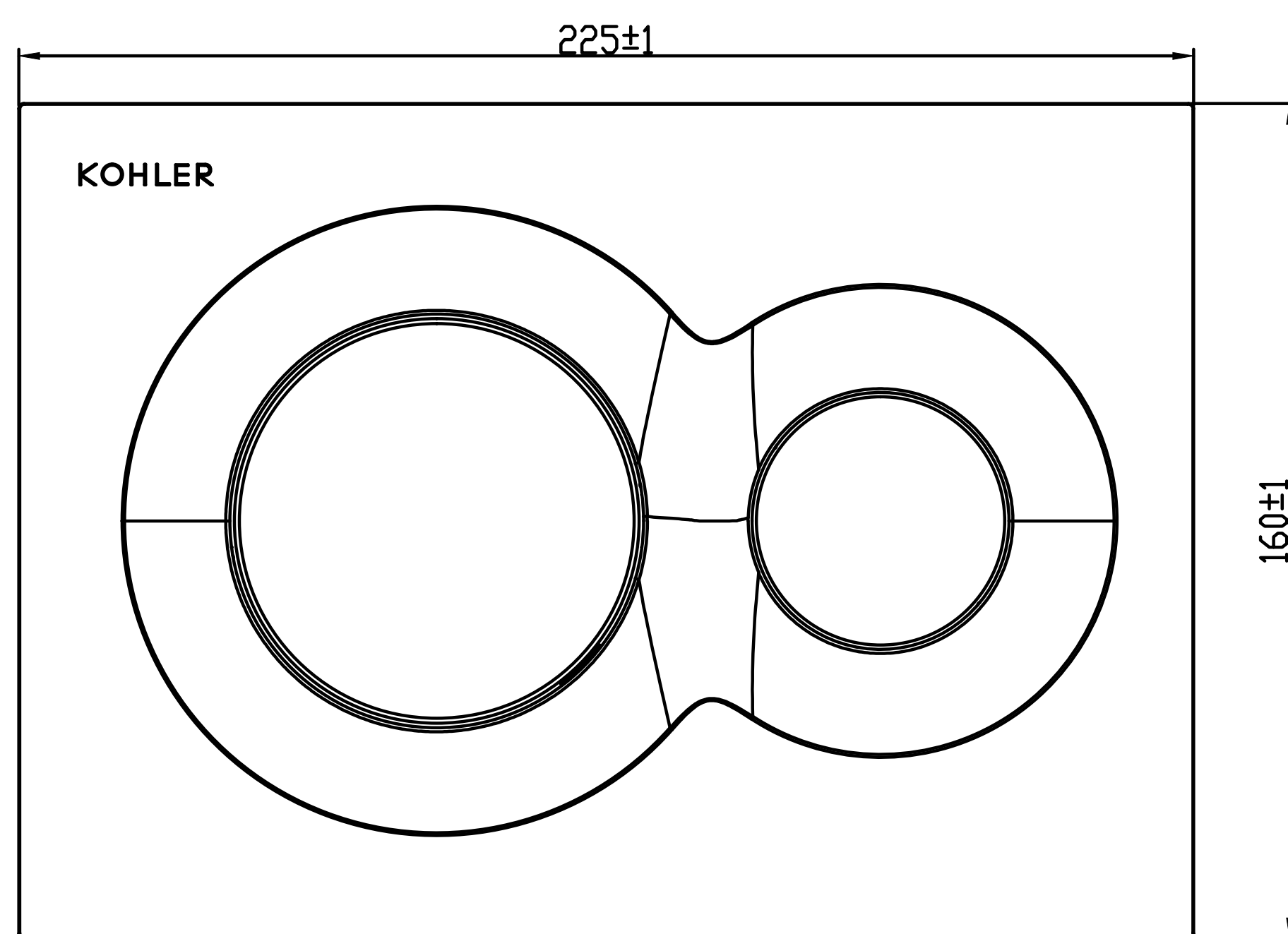
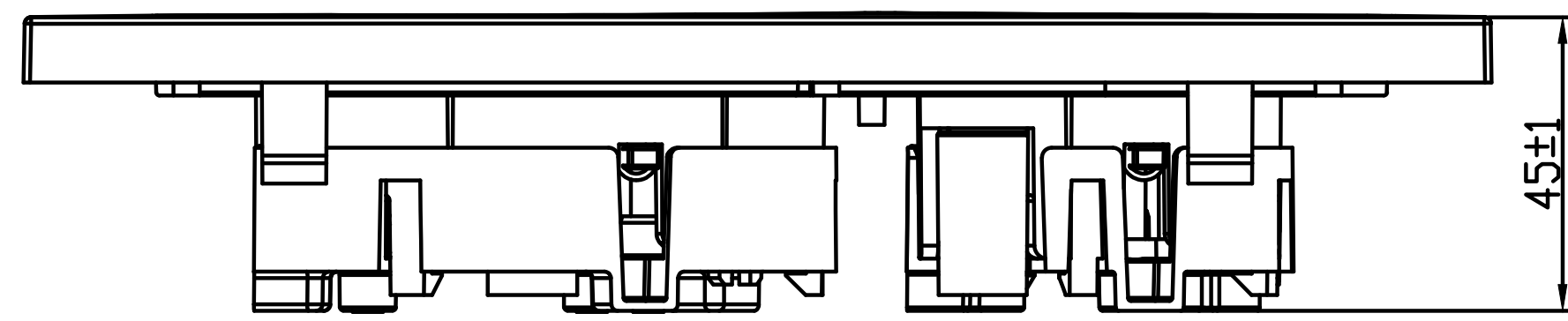


1243733 A2 faceplate assembly



- 技术要求:
- 1.单位: mm
  - 2.无缩水, 气泡及缺料等不良
  - 3.表面CP或者AF/BN/BV/RGD/TT/2BL/2BZ
  - 4.符合GB26730-2011

ITEM	QUANTITY	PART NUMBER	DESCRIPTION	REMARK
2	1	1243718	POSITION PANEL	
1	1	1243733	A2 FACEPLATE ASSEMBLY	

TOLERANCES UNLESS OTHERWISE SPECIFIED		APPROVED		DATE		PLOT DATE		SCALE	
.XXX ± 0.001	DO NOT SCALE DRAWING	Eric	3/20/2017	Eric	3/20/2017			1.000	D
.XX ± 0.01									SIZE
.X ± 0.1									
ANG ± 0.5									

ALL DIMENSIONS IN: Inches				
1	-	Eric	RELEASED PCI #C1700949	3/20/2017
SHT	SYM	BY	DESCRIPTION	DATE

GEOMETRIC DIMENSIONING AND TOLERANCING PER ANSI Y14.5M-1982	
THIRD ANGLE PROJECTION	ASSCH NAME: JT237
DESCRIPTION: LYNK FACEPLATE	
DWG NO: 75890T	SHT 1 of 1