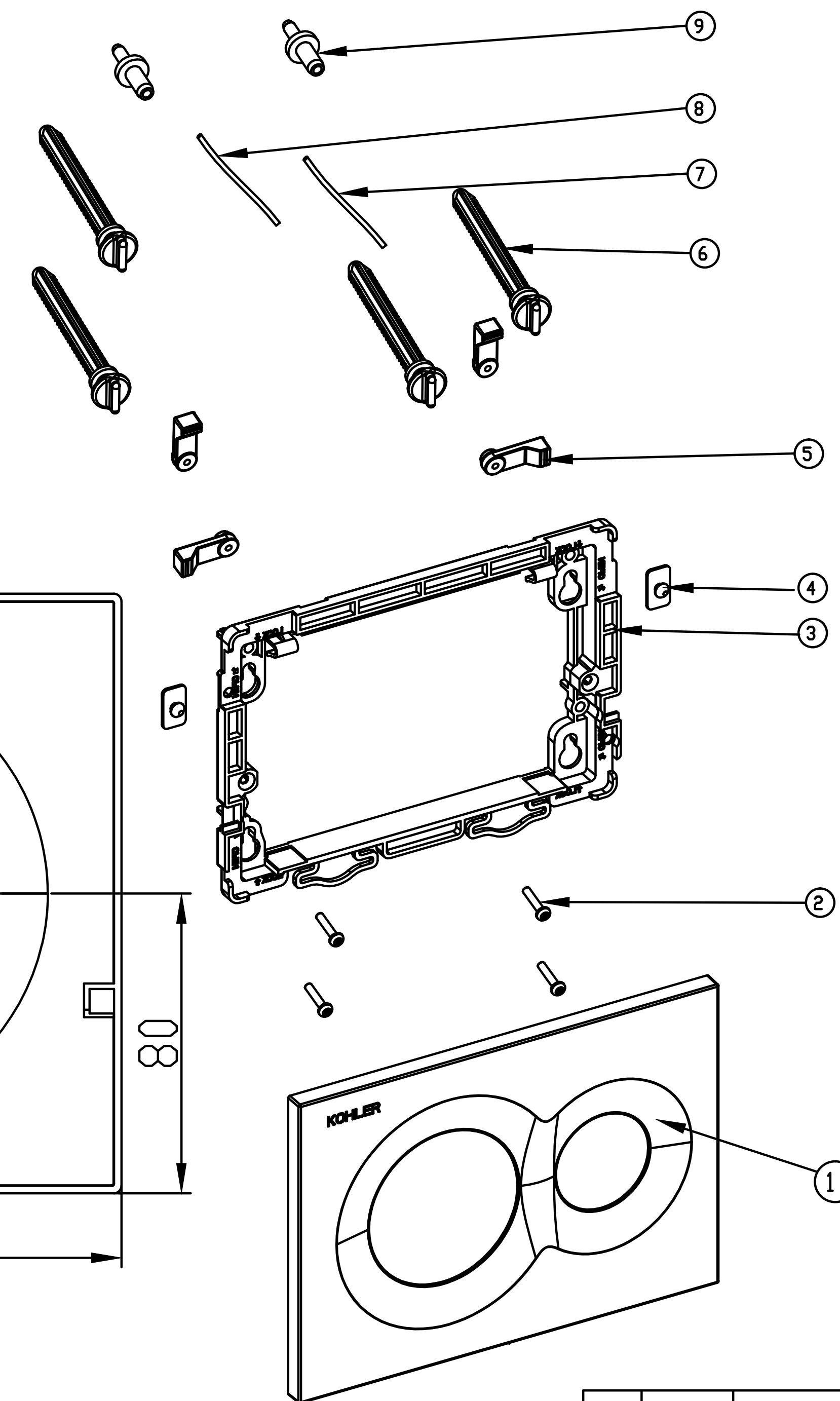
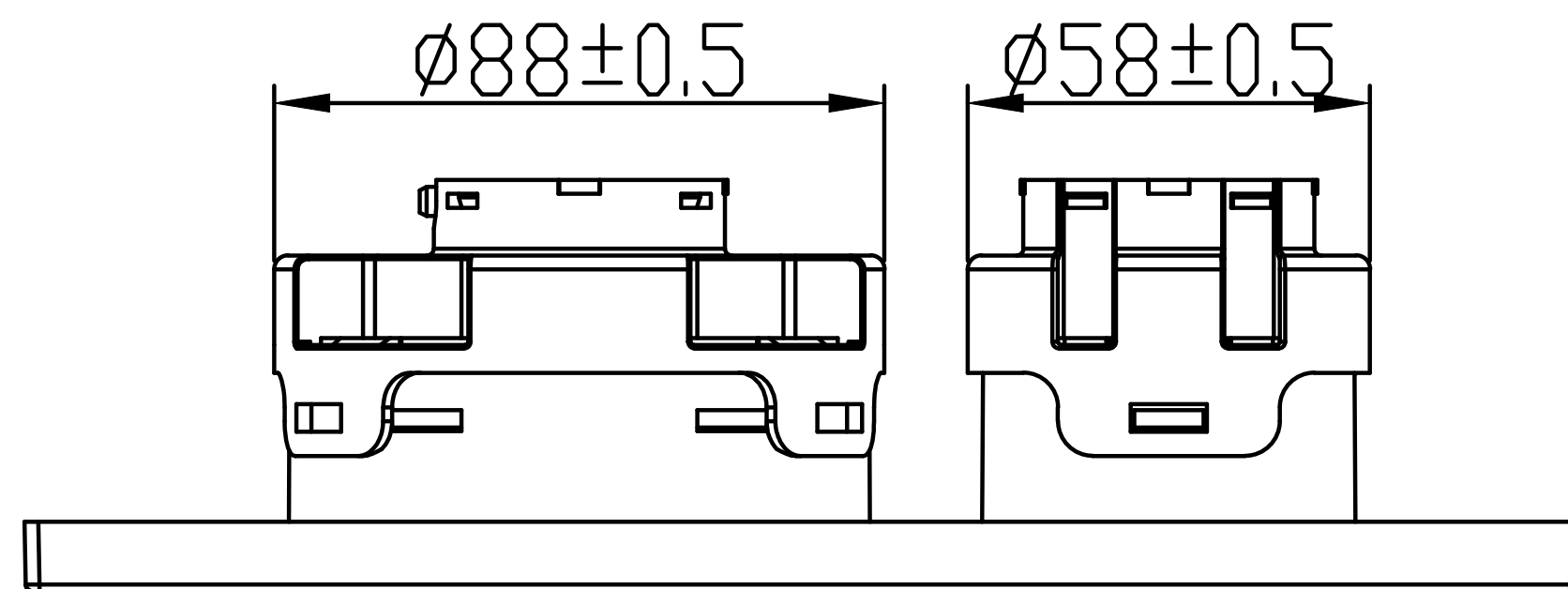
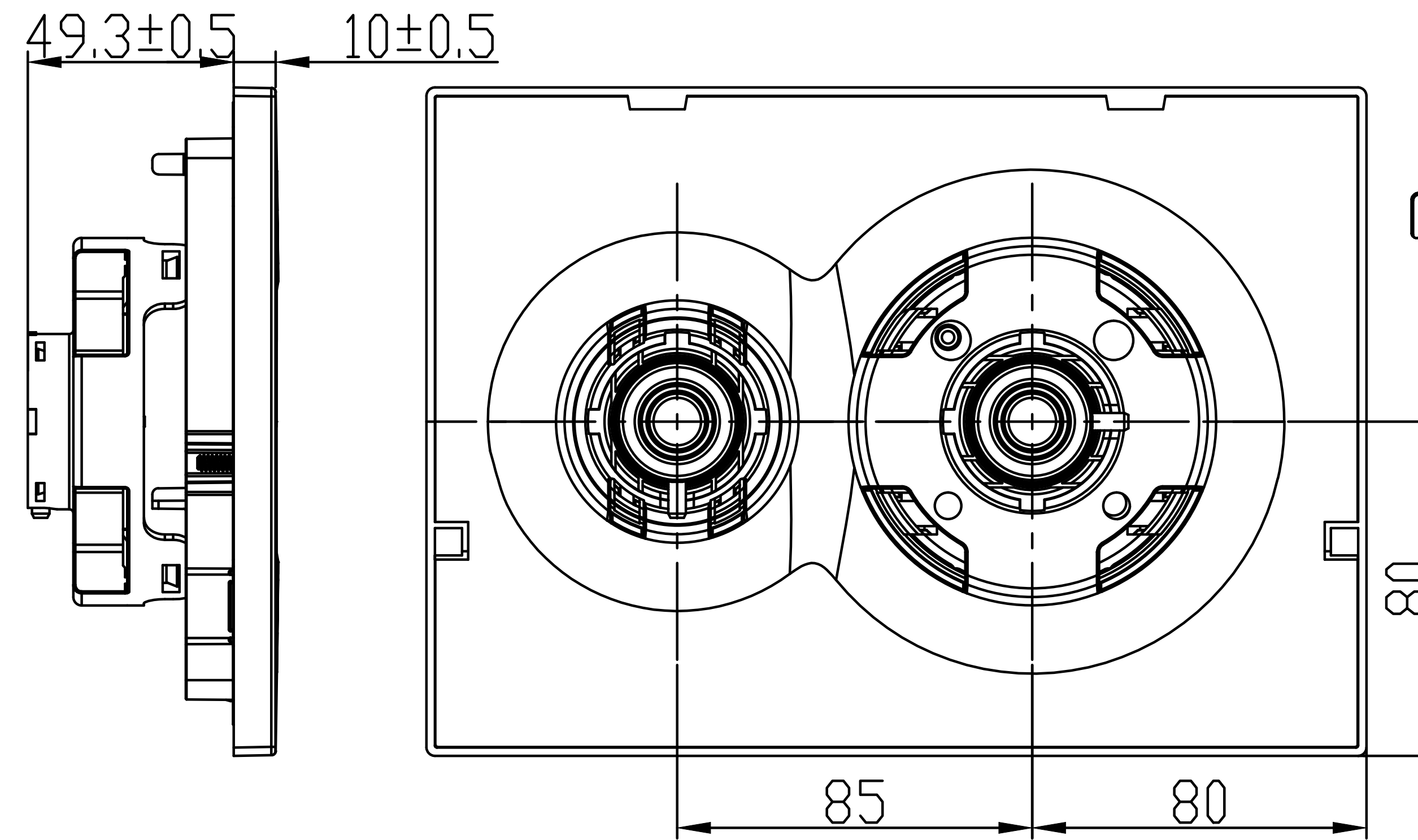
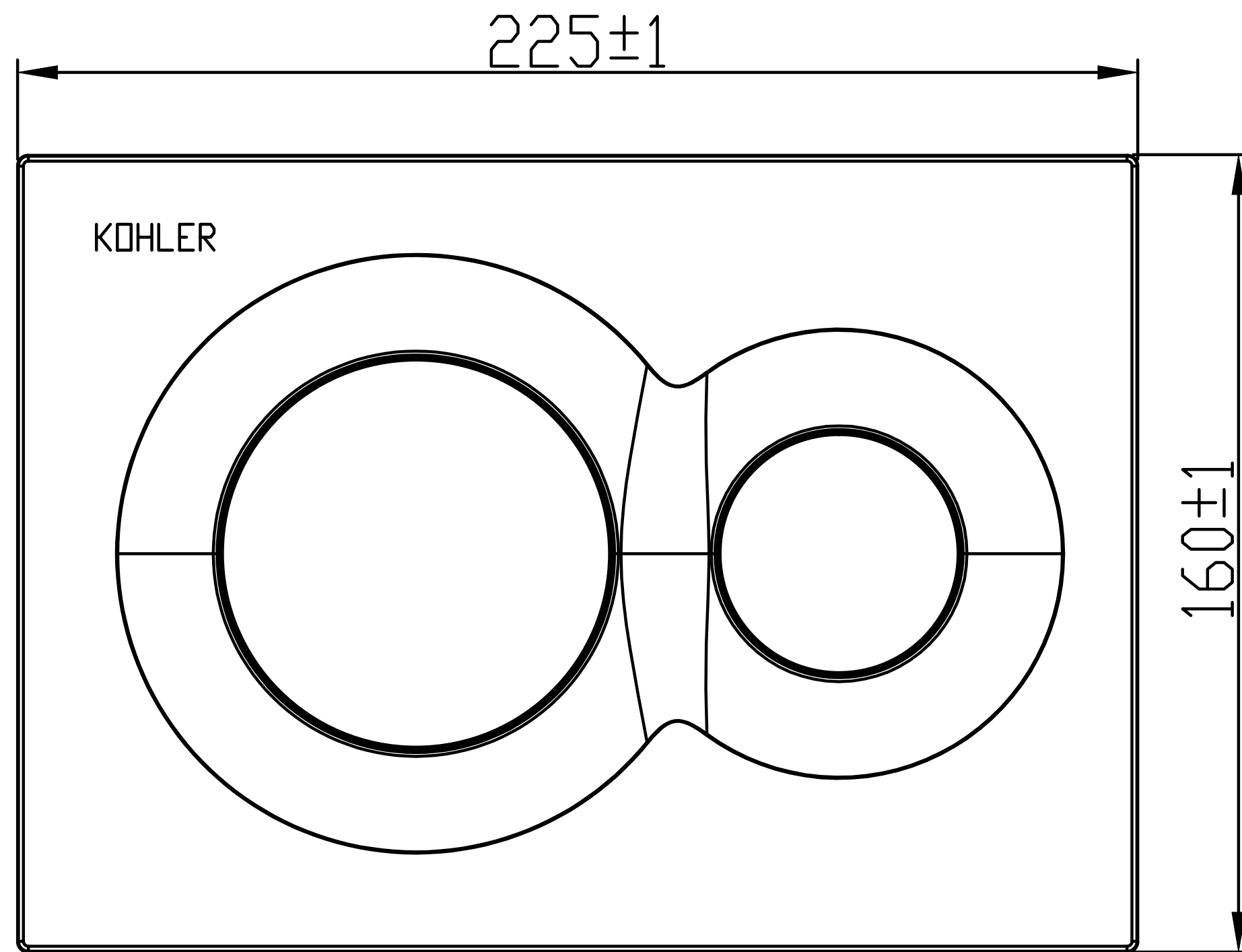


1316624 Lynk pneumatic faceplate assembly



技术要求:

1. 单位: mm
2. 无缩水, 气泡及缺料等不良
3. 表面CP或者AF/BN/BV/RGD/TT/2BL/2BZ
4. 符合GB26730-2011

ITEM	QUANTITY	PART NUMBER	DESCRIPTION	REMARK
9	2	1297097	Connector	
8	1	1316626	Air hose,red 0.11m	
7	1	1316627	Air hose,blue 0.11m	
6	4	1059169	Fixation pipe	
5	4	1284513	Fixation plate	
4	2	1278605	Cushion	
3	1	1302768	LOCKING PLATE	
2	4	1284514	Screw	
1	1	1316624	LYNK PNEUMATIC FACEPLATE ASSEMBLY	

ALL DIMENSIONS IN: Inches			
TOLERANCES UNLESS OTHERWISE SPECIFIED	DATE	BY	DESCRIPTION
.XXX ± 0.001			
.XX ± 0.01			
.X ± 0.1			
ANG ± 0.5			

GEOMETRIC DIMENSIONING AND TOLERANCING PER ANSI Y14.5M-1982			
APPROVED	DATE	PLOT DATE/SCALE	
Eric	3/20/2017	3/20/2017	1:000
Eric	3/20/2017	3/20/2017	D
KOHLER KOHLER CO. KOHLER, WISCONSIN 53044 THIRDS ANGLE PROJECTION ASSN NAME: J1237			
DESCRIPTION: LYNK PNEUMATIC FACEPLATE			SIZE
DWG NO: 75890T-PNE			SHT 1 of 1

DWG REVISION RECORD			
SHT	SYM	BY	DATE
1	-	Eric	3/20/2017