

KOHLER

K-72913T-F 莫瑞 MORAINÉ

隐藏式大小槽厨盆(速漩落水)
LM UC SINK, F
切割图/安装说明书

CUT-OUT TEMPLATE / INSTALLATION INSTRUCTIONS

BEFORE YOU BEGIN

- ⚠ WARNING: Risk of personal injury. Metal surfaces are sharp and can cause severe cuts. Use gloves and handle sink edges carefully.**
- Observe all local plumbing and building codes.
 - Shut off the hot and cold water supplies.
 - Prior to installation, unpack the new sink and inspect it for damage. Return the sink to its protective carton until you are ready to install it.
 - Inspect the drain and supply tubing. Replace if necessary.
 - All information in these instructions is based on the latest product information available at the time of publication. Kohler China reserves the right to make changes at any time without notice.

安装之前

- ⚠ 警告：小心人身伤害。金属表面非常锋利，可能导致严重的划伤。请使用手套，并小心接触水槽边缘。**
- 遵循当地所有的管道和建筑规范。
 - 关闭冷水供应。
 - 在安装之前，请打开新水槽的包装。检查产品是否有损坏。将水槽放回其保护性的纸箱包装。直到您准备安装。
 - 检查供水和排水管道。如果需要，请更换管道。
 - 此手册中的所有资料按照出版时的最新产品资料编写。科勒公司保留在任何时候不需通知便可进行更改的权利。

RECOMMENDED TOOLS AND MATERIALS

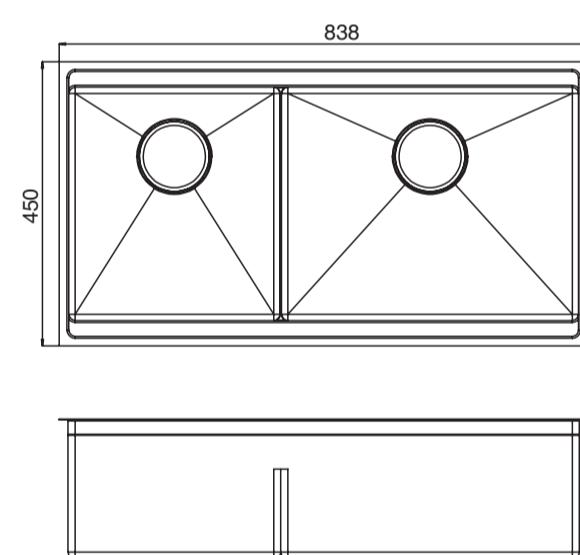
- Pencil and Marker
- Measuring Tape
- Drill
- Scissors
- Sealant
- Safety Glasses
- Keyhole/Compass or Saber Saw
- Putty Knife

推荐使用的工具和材料

- 铅笔及标记笔
- 测量尺
- 钻孔机
- 剪刀
- 硅胶
- 安全眼镜
- 锁眼锯或剑齿锯
- 灰泥刀

ROUGHING-IN

Reference Value
参考值



UNIT: mm
单位: 毫米

科勒公司保留随时变更图中标示尺寸的权利。无需另行通知。
Kohler reserves the right to change marked dimensions without prior notice.

INSTALL THE NEW SINK

1. Position the Template

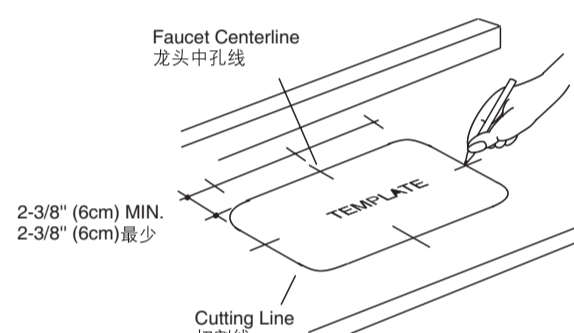
- Cut the template following the lines marked "Cut on this line".
- Position the template on the countertop in the desired location. Make sure the template is secured firmly in place so it cannot move.

安装新水槽

1. 固定切割模板

- 沿着标注的“沿此线切割”剪出切割模板。
- 将模板固定在橱柜台面的理想位置。确保模板已固定到位，无法移动。

- Check for adequate clearance between the sink, faucet and backsplash. Verify that the sink will not interfere with the cabinet during installation.
 - Trace the outside edges of the template with a pencil.
- NOTE:** For multiple sink installations, a minimum distance of 2-3/16" (5.6cm) is required between the sinks.
- Locate the faucet hole center lines on the countertop. The faucet hole clearance from the top of the cutout must be 2-3/8" (6cm) minimum.
 - Relevant accessories are designed for countertop with 12mm thickness. They do not match and may not be flush with countertop of other thickness. If the thickness of the countertop is more than 12mm, it is recommended to chamfer the upper edge of the countertop to achieve a better angle of view.



2. Cut the Sink Mounting Holes

⚠ CAUTION: Risk of product damage. To avoid damage to the sink, do not cut, drill, or sand the countertop while it is positioned over the sink.

- Before cutting, measure the cut-out line and compare it to the overall sink dimension. The cut-out should be 1-1/2" (3.8cm) smaller than the overall sink dimensions.
- Drill a pilot hole inside the cut-out line.
- Using a saber or keyhole saw, cut along the inside of the cut-out line.
- Drill the required faucet holes and install the faucet to the countertop according to the faucet manufacturer's instructions.

2. 切割水槽安装孔

⚠ 注意：小心人身伤害。为防止损坏水槽，当橱柜台面位于水槽上方时，请勿对橱柜台面进行切割、钻孔或磨砂操作。

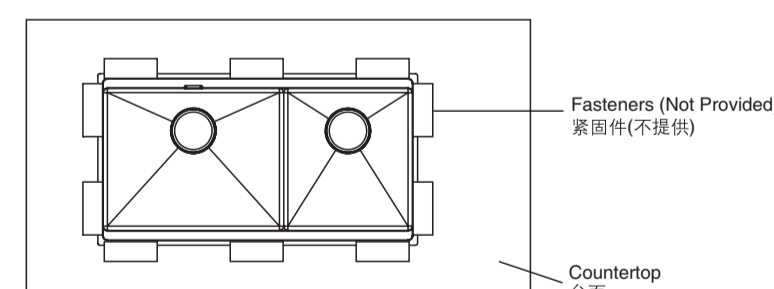
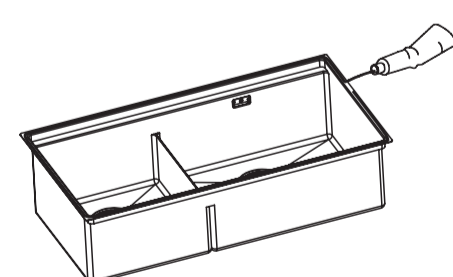
- 切割前，首先测量切割线尺寸，并将其与整体水槽的尺寸进行比较。切割线应比整体水槽的尺寸小1-1/2" (3.8cm)。
- 在切割线内试钻一个孔。
- 使用钢锯或锁眼锯沿切割线内切割。
- 根据要求钻龙头孔，然后根据说明将龙头安装至橱柜台面。

3. Install the Sink

- Apply a bead of silicone sealant or rubber sealant around the inner rim of the sink.
- Reverse the countertop and fix the sink to the countertop bottom with clips or other fastener.
- Use a dry cloth to wipe away any excess sealant.
- Verify that there are no gaps.
- Allow the sealant to cure for at least 30 minutes.
- Reverse the countertop back and fix into the cabinet.

3. 安装水槽

- 沿水槽边缘靠近内缘处涂抹硅胶或橡胶密封胶。
- 将台面倒置，使用安装夹或其它固定件将水槽固定于台面底部。
- 用一块干布，擦掉任何多余的密封胶。
- 确认没有任何缝隙。
- 让密封胶凝固至少三十分钟时间。
- 将台面翻转安装至底柜上。



810 mm

CUT ALONG THIS LINE
沿此线切割

RIM OF SINK
水槽边缘

珠海科勒厨卫产品有限公司
珠海市斗门区井岸镇新青六路15号 邮编: 519180

1236185-T01-A

© 版权为科勒中国有限公司所有, 2014
© Copyright Kohler China Ltd., 2014