

BEFORE YOU BEGIN

- Congratulation on your purchase of this high quality Bathroom Accessory. Before proceeding with the installation, please carefully read this installation instruction in order to ensure proper care and assembly of this accessory.
- Please keep this installation instruction for future reference.



Prior to drilling into walls, check there are no hidden electrical wires, cables or water supply pipes with the aid of ar, electronic detector. If you use power tools do not forget:

1. Wear eye protection.
2. Unplug equipment after use.

安装之前

- 首先恭喜您购买到了高档的卫浴产品，为了使您正确保护和组装产品，在您安装之前请仔细阅读此说明书。
- 请保留此说明书以备参考。



警示：在钻孔之前，请借助电子探测仪确认墙内是否有电源线，通讯光缆或者水管之类的东西。如果使用电钻的话请勿忘记以下两点：

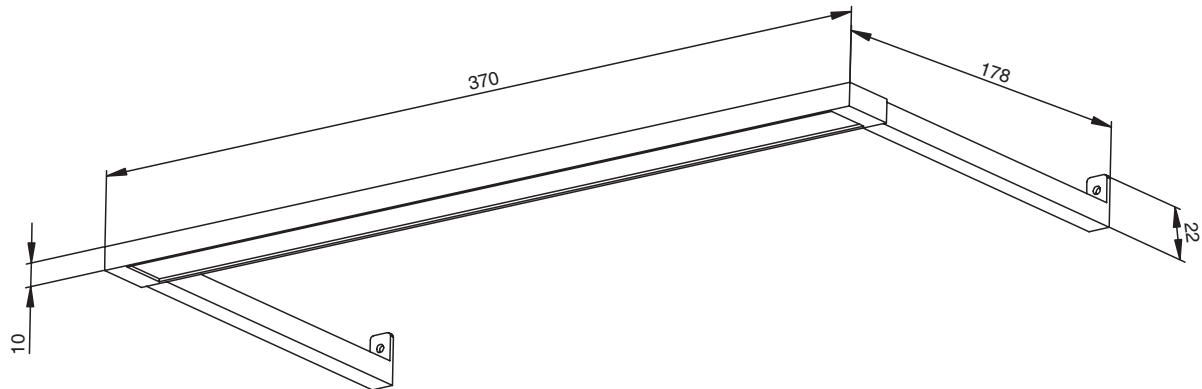
1. 请戴上防护镜。
2. 用完设备后关掉电源。

ROUGHING-IN

尺寸图

Reference Value
参考值

UNIT : mm
单位：毫米



科勒公司保留随时变更图中标示尺寸的权利，无需另行通知。
Kohler reserves the right to change marked dimensions without prior notice.

中山科勒卫浴有限公司
广东省中山市中山火炬开发区兴业路13-1号 邮编：528437

INSTALLATION

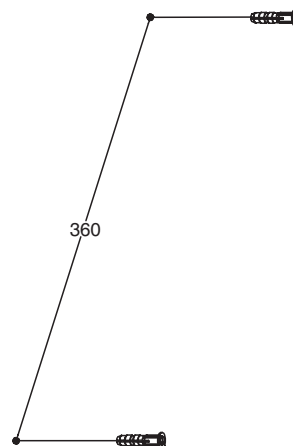
安装

1. Drill mounting holes

Note: This product is to be installed on top of the cabinet.

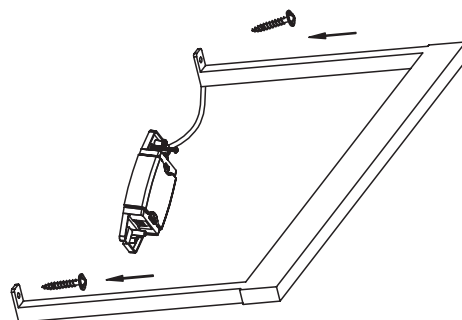
1. 钻孔安装

注：本产品适合安装于浴室柜柜顶上。



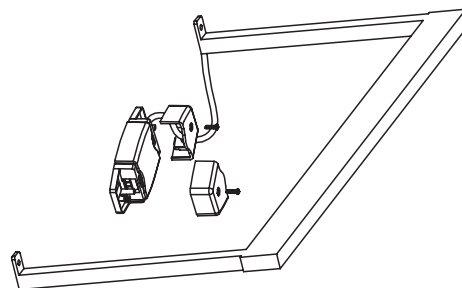
2. Fix the light and adaptor with screws.

2. 用螺钉固定灯具和电源变压器。



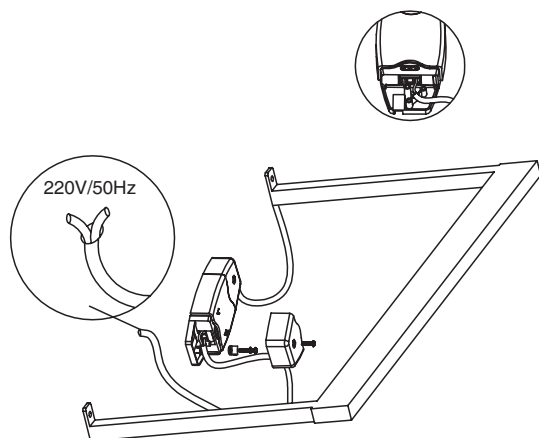
3. Remove the cover of the adaptor.

3. 拆开电源变压器接线端盖。



4. Connect the input power line.

4. 接输入电源电线。



Fixture 接线座	Outlet 电源电线
N	Neutral 零线
L	Hot 火线

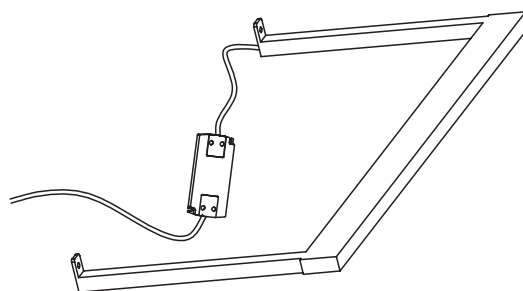
电源输入 INPUT: AC220V/50Hz
电源输出 OUTPUT: DC12V, Max.6W, Max.0.5A
防护等级 IP GRADE IP44

NOTE: In case of danger, the outer flexible cable of luminaire should be changed by manufacture or service agents with equivalent qualifications when the cable breaks down.

注意： 灯具外部软缆或软线损坏时，该线要由制造商或其服务代理商或有类似资格的人更换，以避免发生危险。

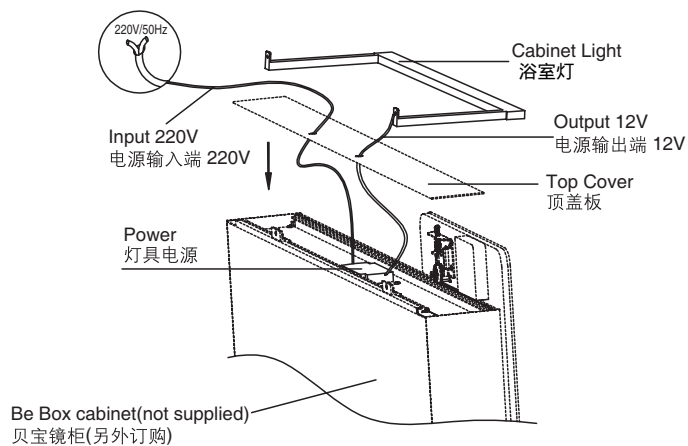
5. Put the cover back.

5. 装好拆开的电源变压器接线端盖。



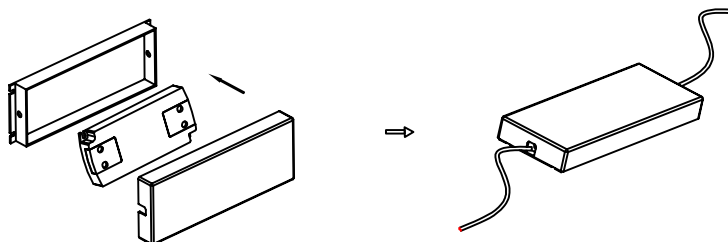
6. If installed together with Kohler Be Box cabinet, the light shall be installed inside cabinet top. The wire can be fixed with double-sided adhesive tape.

6. 如果浴室灯与科勒贝宝镜柜配装，灯具电源装在柜顶内，电源可用双面胶固定。



7.If need,please use the waterproof box

7. 如果安装环境需要使用防水盒，推荐使用



CARING FOR YOUR PRODUCTS

保养须知

The accessories should be washed with warm water and a soft cloth or sponge. Do not use abrasive cleaners or cleaners containing bleach.

为了更好地保养本品，请您用温水和软毛巾(或海绵)擦拭，含有腐蚀剂或漂白剂的洗洁剂对本品有害。