

BEFORE YOU BEGIN

- Please read these instructions carefully to familiarize yourself with the required tools, materials, and installation sequences. Follow the sections that pertain to your particular installation. This will help you avoid costly mistakes. In addition to proper installation, read all operating and safety instructions.
- All information in these instructions is based upon the latest product information available at the time of publication. Kohler China reserves the right to make changes in product characteristics, packaging, or availability at any time without notice.
- These instructions contain important care, cleaning, and warranty information—**please leave instructions for the consumer.**
- Turn off the water supply.
- The plumbing installation must comply with Water Supply Regulations/Bye-laws, Building Regulations or any particular regulations and practices, specified by the local water company or water undertakers. The installation should be carried out by a plumber.
- Before installation carefully inspect the new fixture for any signs of damage.

安装之前

- 请仔细阅读本指引，以便熟悉所需工具、物料及安装程序。请遵照适用的章节来安装本产品，以免安装失当导致不必要的损失。除了有关正确的安装方法之外，还务请详阅所有操作及安全指引。
- 本指引所载之一切资料，均以印刷时所有之最新产品情况为基础，科勒中国保留权利随时更改产品特性、包装或供应情况，恕不另行通知。
- 本指引也包含了有关保养、清洁及担保等重要资料-请交予用户保存。
- 关闭供水。
- 管道安装必须遵循当地所有给排水、建筑或者其他的特别规定。管道安装人员必须具备相应资格。
- 安装之前，仔细检查新产品是否有损伤。

ORDERING INFORMATION

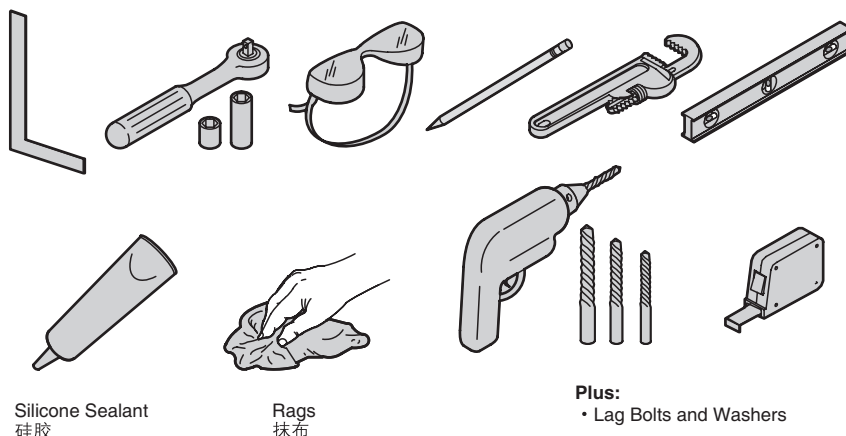
REVE™ Vanity TopK-5026-1

订购信息

瑞芙一体化台盆K-5026-1

TOOLS AND MATERIALS REQUIRED (Not supplied)

所需工具及材料 (不随货供应)



Silicone Sealant
硅胶

Rags
抹布

Plus:
• Lag Bolts and Washers

其它:
• 螺栓和垫圈

科勒(中国)投资有限公司
 上海市闸北区江场三路158号 邮编: 200436

IMPORTANT INFORMATION

CAUTION: Risk of personal injury or product damage. Handle with care. Product can break, chip or cause injury if handled carelessly. Get help lifting the lavatory.

CAUTION: Risk of product damage. Do not overtighten connections. Overtightening may break or chip the lavatory or pedestal.

- Inspect the drain piping and supply tubing; replace if necessary.
- These instructions are for installing the lavatory to wood frame construction. For other installations, supply suitable bracing and fastening devices of sufficient size and strength.
- If possible, assemble the drain and faucet to the lavatory before installing the lavatory.
- Observe all local plumbing codes.
- Kohler Co. reserves the right to make revisions in the design of products without notice, as specified in the Price Book.

重要信息

注意：人身伤害危险和产品破损危险。小心轻放，否则产品容易破损、碎裂或导致伤害。搬运时请寻求他人帮助。

注意：产品破损危险。请勿将安装配件旋得过紧，否则容易损坏脸盆或立柱。

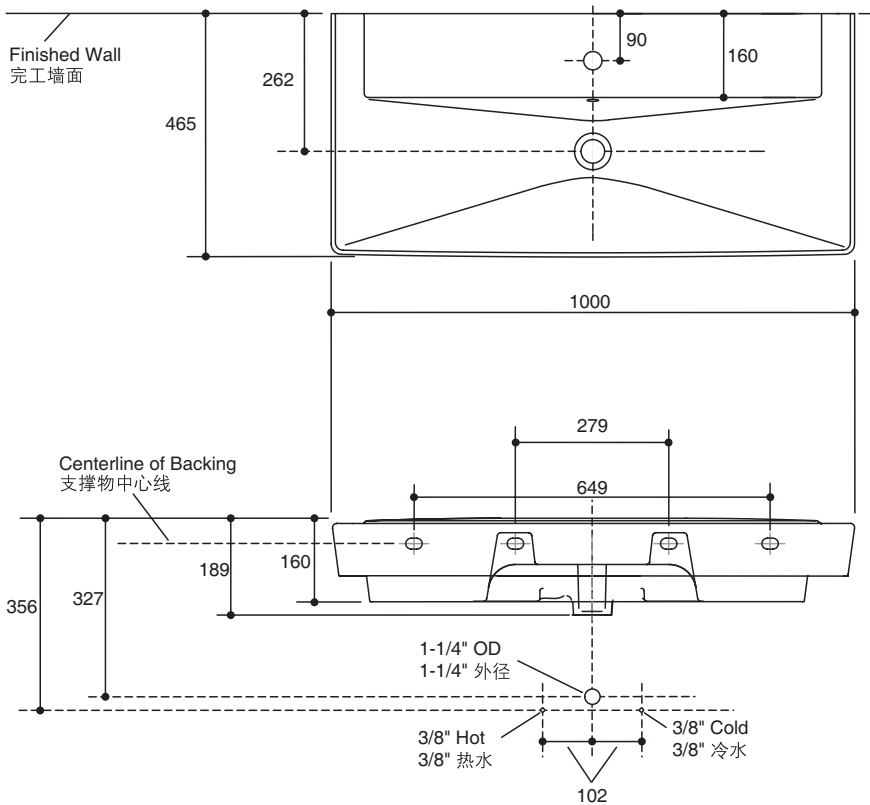
- 检查排水管及供水管，如有需要请更换。
- 本安装说明适用于将脸盆安装至木质框架结构中。若发生其他类型的安装，请使用大小及强度适当的支撑和固定装置。
- 如果可能，在安装脸盆之前先组装脸盆上的龙头和排水管。
- 遵守当地所有给排水规定。
- 科勒公司保留修改产品设计的权利，无需另行通知。

ROUGHING-IN

尺寸图

Reference Value
参考值

UNIT : mm
单位：毫米



	Length 长	Width 宽	Height 高	Depth 盆深
Outer 外径	1000	465	189	
Inner 内径	1000	305		130

Fig.1
图1

科勒公司保留随时变更图中标示尺寸的权利，无需另行通知。
Kohler reserves the right to change marked dimensions without prior notice.

INSTALLATION

安装

1. Brace the Wall

- Install the water supplies and drain piping according to the roughing-in information.
- Refer to Fig.2 for length and mounting height needed for the 2x6 bracing.
- Install sufficient backing behind the finished wall to provide adequate support to secure the mounting hardware.

1. 安装墙面支撑

- 根据尺寸图信息安装供水管和排水管。
- 支撑材料的长度和安装高度见图2。
- 在完工墙面上安装足够的支撑物，用以固定和支撑安装部件。

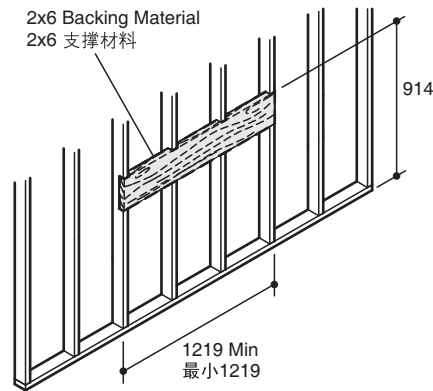


Fig.2
图2

2. Mark the Mounting Holes

- Mark the mounting hole locations on the wall.

2. 标记安装孔

- 在墙上标记出安装孔的位置。

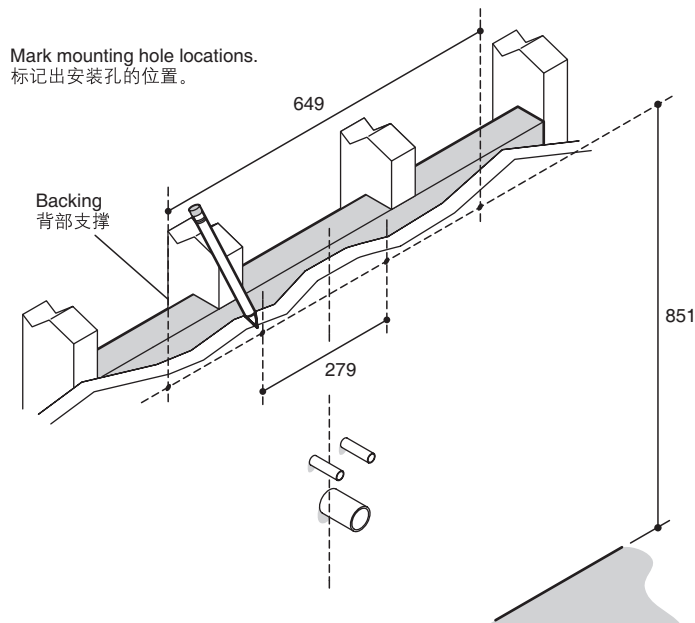


Fig.3
图3

3. Install the Mounting Hardware

- Using the appropriate sized drill bit for your lag bolts, drill pilot holes at the two outermost marked locations.
- Using a 10 mm drill bit, drill pilot holes at the two innermost marked locations.
- Install the anchors and hanger bolts in the two innermost holes.

3. 安装各安装部件

- 使用适当大小的钻头，可在最外面的标记位置处钻定位孔。
- 使用10mm的钻头，在最里面的标记位置处钻定位孔。
- 将膨胀螺栓和吊架螺栓安装于最里面的两个孔中。

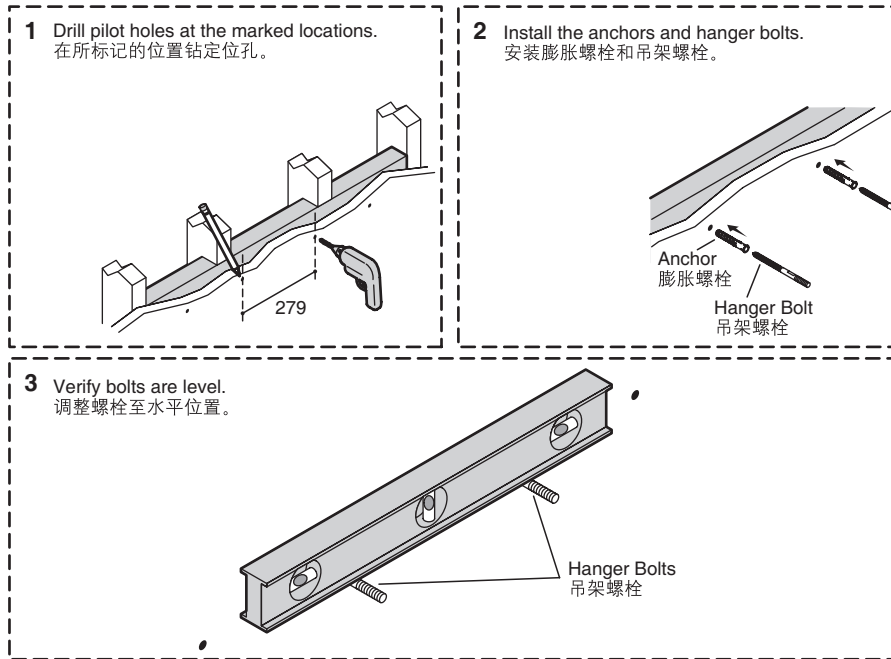


Fig.4
图4

4. Install the Lavatory

CAUTION: Risk of personal injury or product damage. Get help lifting and installing the lavatory.

- Lift the lavatory into position and guide the hanger bolts through the lavatory mounting holes.
- Secure the lavatory with the spacer, washer and nut. Do not overtighten.

4. 安装脸盆

注意：人身伤害危险和产品破损危险。搬运和安装脸盆时请寻求他人帮助。

- 将脸盆抬高至适当位置，将吊架螺栓穿过脸盆上的安装孔。
- 用垫片、垫圈和螺母将脸盆固定。请勿过度旋紧。

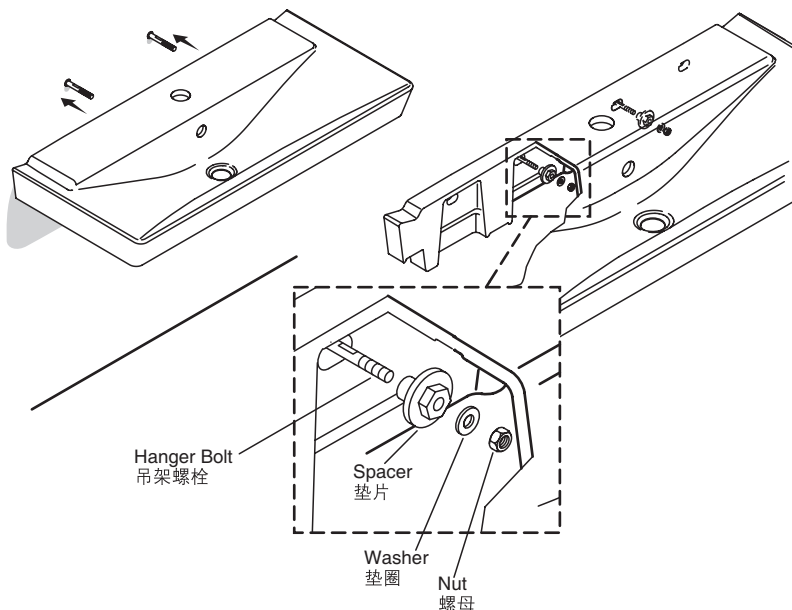


Fig.5
图5

5. Complete the Installation

- Verify the lavatory is level. Make any adjustments as needed.
- Secure the lavatory with the washers and lag bolts through the outermost mounting holes.
- Apply a thin bead of silicone sealant along the edge of the lavatory where it meets the wall. Immediately wipe away any excess sealant.
- Gently press the overflow cap into the lavatory overflow.
- If not already installed, install the faucet and drain to the lavatory according to the manufacturer's instructions.
- Run water into the lavatory and check all connections for leaks.

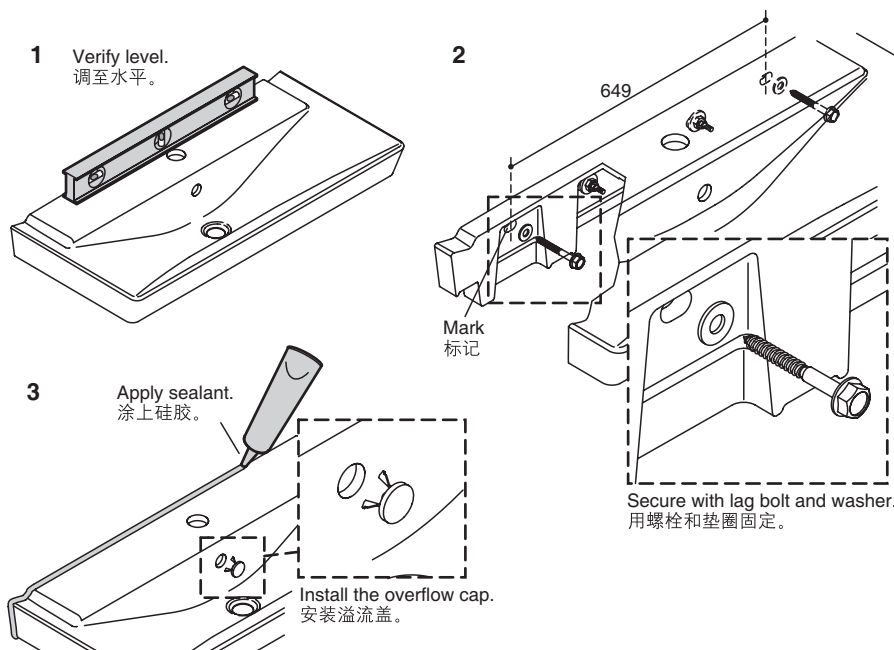


Fig.6
图6

5. 完成安装

- 将脸盆调整至水平位置。
- 在最外面的安装孔处用垫圈和螺栓将脸盆固定。
- 在脸盆与墙壁的接触处涂上一层薄薄的硅胶。立刻擦去多余的硅胶。
- 将溢流盖轻压入脸盆的溢流孔中。
- 若龙头和排水尚未安装，请按照要求相应安装。
- 试水，检查各连接处是否存在渗漏。

CARE AND CLEANING

For best results, keep the following in mind when caring for your KOHLER product:

- Always test your cleaning solution on an inconspicuous area before applying to the entire surface.
- Wipe surfaces clean and rinse completely with water immediately after applying cleaner. Rinse and dry any overspray that lands on nearby surfaces.
- Do not allow cleaners to soak on surfaces.
- Use a soft, dampened sponge or cloth. Never use an abrasive material such as a brush or scouring pad to clean surfaces.
- Be careful not to leave staining materials in contact with the surface for extended periods of time.
- The ideal cleaning technique is to rinse thoroughly and blot dry any water from the surface after each use.
- Do not use the product in the water below 0°C.

清洁和保养

为确保最佳使用效果，在保养您的科勒产品时，请注意以下几点：

- 对整个产品使用任何清洁剂之前，请在产品不醒目处试用。
- 使用清洁剂后，将表面擦拭干净，并用水彻底冲洗。同时冲洗并擦干喷洒到附近表面的清洁剂。
- 勿使用清洁剂浸泡产品表面。
- 使用柔软的湿布或海绵。避免使用如刷子或百洁布之类的磨损性材料擦洗产品表面。
- 避免让产品表面长接触退色性材料。
- 请于每次使用后彻底冲洗并擦干表面。
- 不要在0°C以下的水环境中使用。