

### 45369T 墙出水花洒连接组件

#### 安装之前

#### BEFORE YOU BEGIN

所有的资料是按最新发布的产品资料编写而成。科勒公司保留任何时候不经通知即可改变产品特性、包装或产品可供类型的权利。

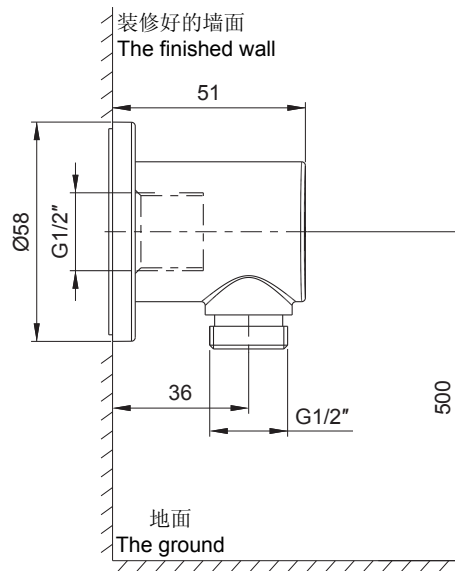
All information is based on the latest product information available at the time of publication. Kohler Co. reserves the right to make changes in product characteristics, packaging, or availability at any time without notice.

说明书包括重要的安装、保养及清洁方面的内容，请把这些资料交给用户阅读。

Please leave these instructions for the consumer. They contain important information.

#### 安装尺寸

#### ROUGH-IN DIMENSIONS



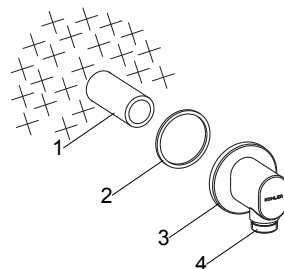
#### 安装步骤

#### INSTALLATION

在G1/2"外螺纹接管(1, 客户自备)两端螺纹上缠绕足以密封的密封胶带或涂合适的密封胶。安装G1/2"外螺纹接管, 使其露出墙外的长度在9~25mm之间。

Apply tape or thread sealant to G1/2" nipple(1, not provided) threads. Install the G1/2" nipple to the bath pipe so it extends 9~25mm beyond the finished wall.

将垫片(2)粘贴在连接件(3)底部。将连接件旋紧到G1/2"外螺纹接管上, 调整位置使螺纹出口(4)朝向正下方。



Stick the washer(2) onto the bottom of the connector kit(3). Install the connector kit onto the G1/2" nipple and adjust the position and make sure the thread outlet(4) faces down.

打开水源, 冲水约为一分钟以清除杂质。

Flush both water supplies through the supply elbow for one minute to remove debris.

## 清洗说明

适用于所有加工处理过的表面：以中性肥皂水清洗镀层表面，再以干净的软布彻底擦干整个表面，许多清洁剂，比如氨水、去污粉及洁厕灵等，会对电镀表面造成伤害，切忌使用。

有磨损性的清洁用具或清洁剂也不可适用于科勒牌的水龙头及其配件上。

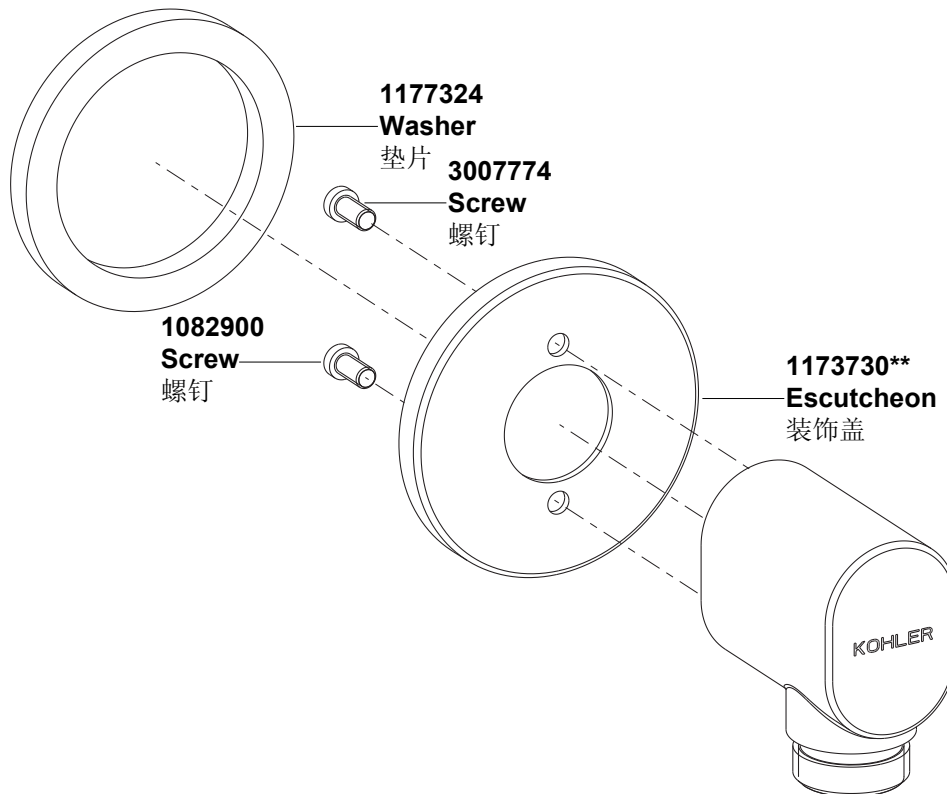
## CLEANING INSTRUCTIONS

All Finishes: Clean the finish with mild soap and warm water. Wipe entire surface completely dry with clean soft cloth. Many cleaners may contain chemicals, such as ammonia, chlorine, toilet cleaner etc. which could adversely affect the finish and are not recommended for cleaning.

Do not use abrasive cleaners or solvents on Kohler faucets and fittings.

## 零件图

## SERVICE PARTS



\*\*订购时请说明颜色编号  
\*\*Color code must be specified when ordering