

BEFORE YOU BEGIN

- Please read these instructions carefully to familiarize yourself with the required tools, materials, and installation sequences. Follow the sections that pertain to your particular installation. This will help you avoid costly mistakes. In addition to proper installation, read all operating and safety instructions.
- All information in these instructions is based upon the latest product information available at the time of publication. Kohler China reserves the right to make changes in product characteristics, packaging, or availability at any time without notice.
- These instructions contain important care, cleaning, and warranty information—**please leave instructions for the consumer.**
- URBANITY bathroom cabinet adopts E1 grade wood-based panel of high quality, and with further processing, its harmful emissions will be less than 1.5mg/L.
- Turn off the water supply.
- The plumbing installation must comply with Water Supply Regulations/Bye-laws, Building Regulations or any particular regulations and practices, specified by the local water company or water undertakers. The installation should be carried out by a plumber.
- Before installation carefully inspect the new fixture for any signs of damage.

安装之前

- 请仔细阅读本指引，以便熟悉所需工具、物料及安装程序。请遵照适用的章节来安装本产品，以免安装失当导致不必要的损失。除了有关正确的安装方法之外，还务请详阅所有操作及安全指引。
- 本指引所载之一切资料，均以印刷时所有之最新产品情况为基础，科勒中国保留权利随时更改产品特性、包装或供应情况，恕不另行通知。安装家具之前，请先确认所有必需的电气工作均已完成。
- 本指引也包含了有关保养、清洁及担保等重要资料—请交予用户保存。
- 艾贝浴室柜选用E1级优质饰面人造板精心加工而成，其有害气体释放量少于1.5mg/L。
- 关闭供水。
- 管道安装必须遵循当地所有给排水、建筑或者其他的特别规定。管道安装人员必须具备相应资格。
- 安装之前，仔细检查新产品是否有损伤。

ORDERING INFORMATION

This installation covers the following products in the URBANITY range:

URBANITY 800mm Washbasin Cabinet.....K-4054T
URBANITY 1100mm Washbasin Cabinet.....K-4056T

订购信息

此安装说明书适用于以下艾贝系列家具的安装：

艾贝800mm脸盆柜.....K-4054T
艾贝1100mm脸盆柜.....K-4056T

SAFETY: WARNINGS

Kohler products are precision-engineered and should give continued superior and safe performance, provided:

1. They are installed, commissioned, operated and maintained in accordance with the recommendations given in this Manual.
2. Periodic attention is given, as necessary, to maintain the product in good functional order. Recommended guidelines are given in the **MAINTENANCE** section.

Carefully inspect the new fixture for any signs of damage.

When installing Kohler Products, manufacturers guidelines for power tool safety should be followed.

安全：警告

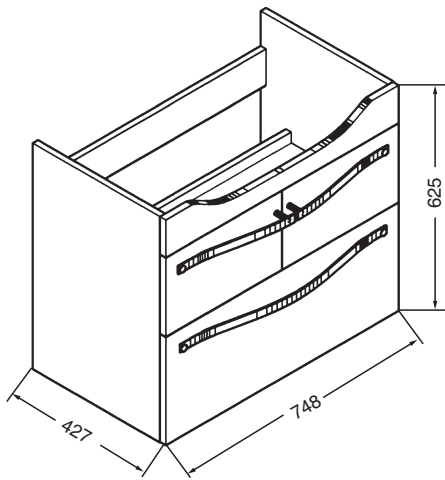
科勒产品经过精确制造，性能卓越，经久耐用。为保证产品品质，您必须：

1. 按照此手册中推荐的方法进行安装、起动、操作及维护。
2. 如有需要，定期检查，令产品保持良好性能状态。日常维护章节中列有推荐方法。

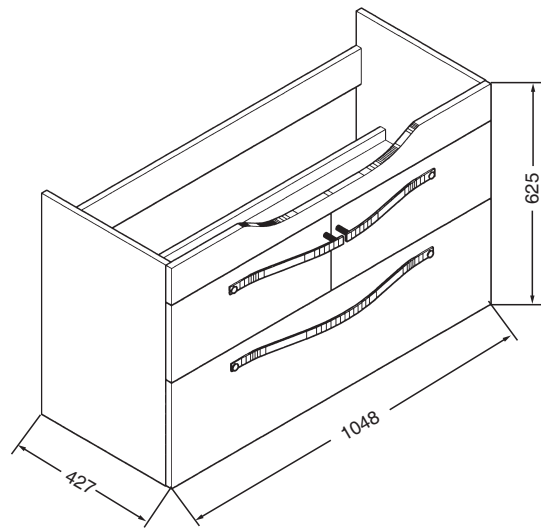
仔细检查新产品是否有损伤。

在安装科勒产品时，必须遵循制造商相关电动工具的安全的指令。

UNIT : mm
单位: 毫米



K-4054T
800mm Washbasin Cabinet
800mm脸盆柜



K-4056T
1100mm Washbasin Cabinet
1100mm脸盆柜


Fig.1
图1


INSTALLATION

安装

A. Install Washbasin Cabinet

Install the services.
Hot (H) and Cold (C) inlets must be connected to the correct inlet pipes.
Install the drain in accordance with the manufacturer's instructions.
We suggest using P-trap drain. Connect P-trap pipe with washbasin drain.

 **Caution!** Make sure a watertight seal exists on all washbasin drain connections.

 **Caution!** Provide access to the plumbing connections for future plumbing maintenance.

The hot and cold water supplies must be installed with isolating valves.

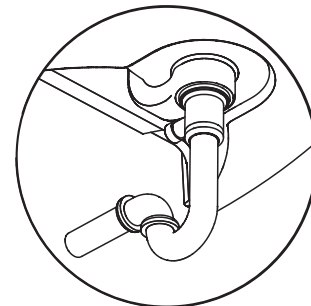




Fig.2
图2

A. 安装脸盆柜

安装管道
热水(H)及冷水(C)入口必须连接至正确的进水管。
根据制造商说明书安装排水。
我们建议采用墙排水方式，使用P弯管连接脸盆去水。

 小心！请确保所有脸盆排水的连接处都装有防水密封圈。

 小心！管道连接处需留有检修空间，以备日后管道维护之用。

注意！安装冷热供水管时必须使用隔离阀。

1. Mark the position of hanged bracket according to dimensions as illustrated, and loosen the suspension hook of washbasin cabinet.

1. 根据图示尺寸在墙壁上标示出挂墙托片的位置，并将脸盆柜吊码的挂钩伸长。

Caution! Avoid the cables and pipes inner set when drilling in the wall.

小心! 在墙壁上钻孔时请务必小心避开内设的缆线和管道。

Note: Different types of bolts are required for different decoration boards. Please apply suitable bolts and plugs.

注意: 不同的装饰墙面需要不同型号的螺钉。请使用合适的螺钉和入墙胶塞。

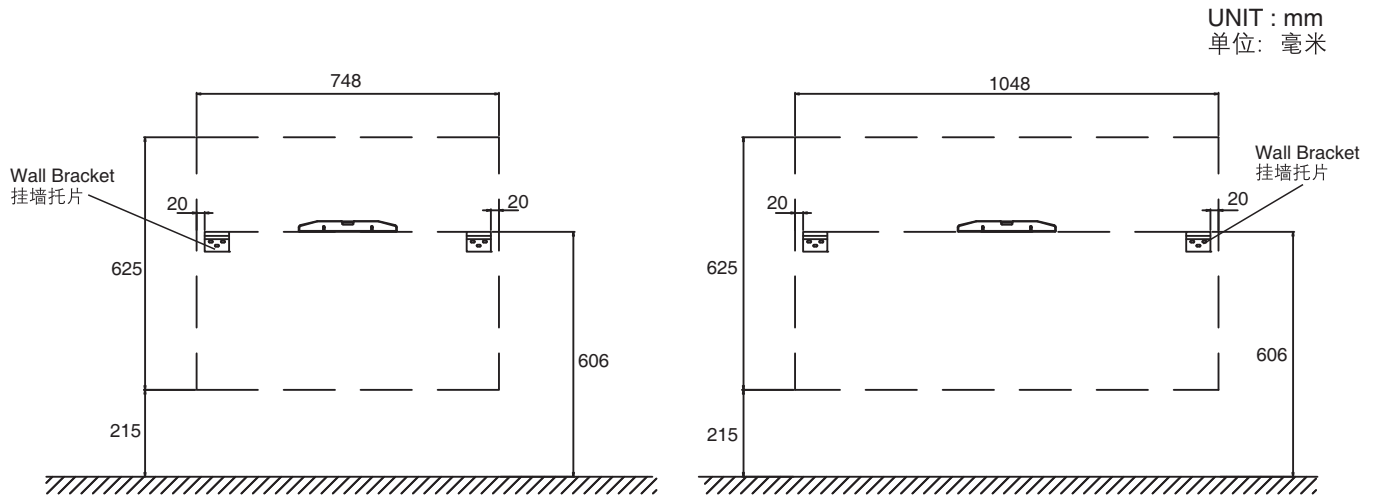


Fig.3
图3

2. Drill holes for fixing the bracket. Using a level, ensure that the hanged bracket is level.

2. 钻好挂墙托片的安装孔。使用水平仪检查，确保挂墙托片水平。

3. Use suitable plugs and bolts, and fix the hanged bracket on the wall.

3. 使用合适的入墙胶塞和螺钉，将挂墙托片固定在墙上。

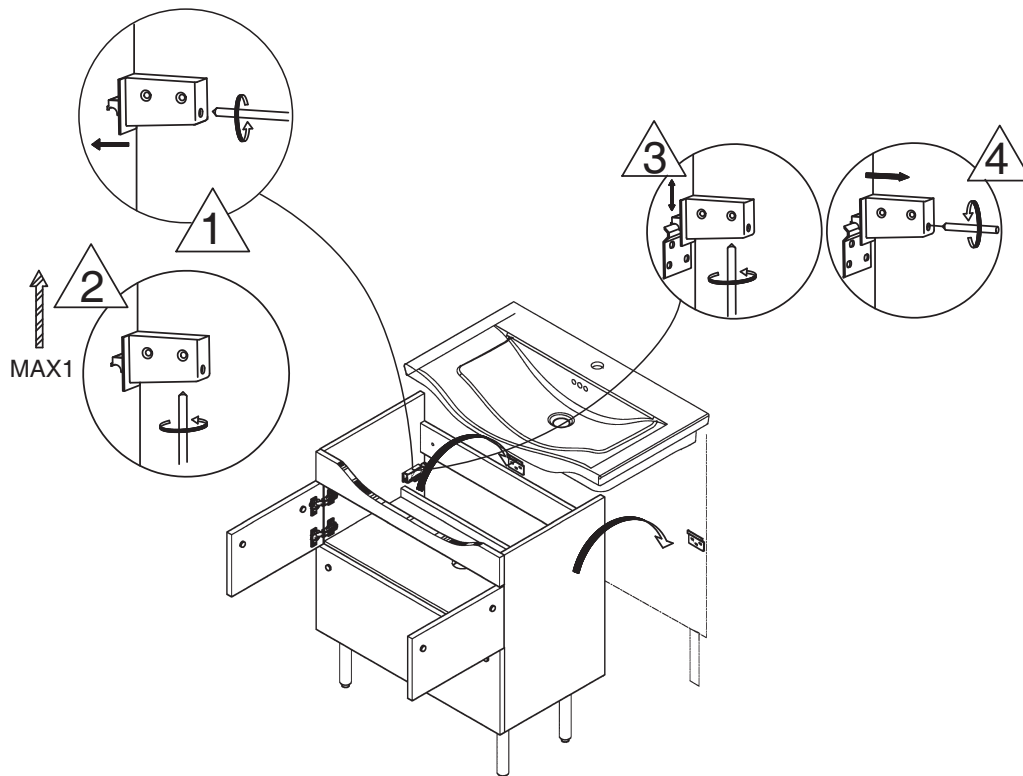


Fig.4
图4

4. Hang the washbasin cabinet on the wall, and position the suspension on the hanged bracket.
5. Set the washbasin cabinet onto the wall bracket. Be sure the cabinet adjusted level and the back board of cabinet appressed to the wall by adjusting the screws of wall clips.

4. 将脸盆柜挂在墙上，挂墙吊码放置于挂墙托片上。
5. 将脸盆柜放置到挂墙托片上，并确认将脸盆柜调节到水平状态，调节吊码的螺钉使脸盆柜背板紧贴墙壁。

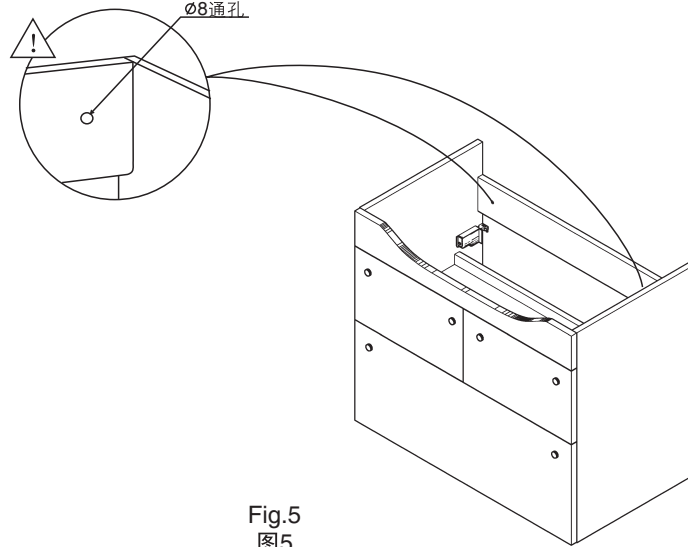


Fig.5
图5

6. Mark the wall through two holes at the corresponding positions as illustrated Fig 5.
7. Dismount the washbasin cabinet and put aside. Drill holes at the marked position.

6. 如图5所示通过两个圆孔在墙壁上相应位置做记号。
7. 将脸盆柜取下放在一边，并在墙上记号处钻孔。

Caution! Avoid the cables and pipes inner set when drilling in the wall.

小心! 在墙壁上钻孔时请务必避开内设的缆线和管道。

Note: Different types of bolts are required for different decoration boards. Please apply suitable bolts and plugs.

注意：不同的装饰墙面需要不同型号的螺钉。请使用合适的螺钉和入墙胶塞。

8. Insert the plugs into the wall.
9. Set the washbasin cabinet onto the brackets. Be sure the cabinet adjusted level and the back board of cabinet appressed to the wall by adjusting the screws of wall clips.
10. Apply a washer to the screw before tighten it. Make sure the washbasin cabinet has been fixed firmly on the wall.
11. Assemble the handles as illustrated Fig 6.

8. 将入墙胶塞打入墙壁。
9. 将脸盆柜放置到托片上，并确认将脸盆柜调节到水平状态，调节吊码的螺钉使脸盆柜背板紧贴墙壁。
10. 在螺钉上套上垫片并拧紧。确定将脸盆柜牢固地固定在墙壁上。
11. 如图6所示装上拉手。

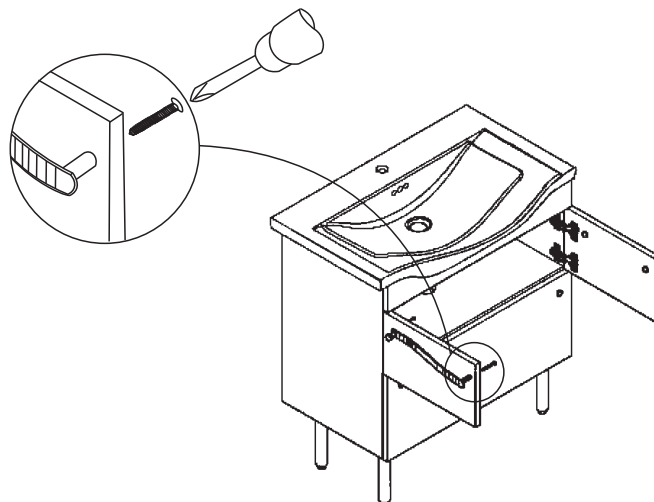


Fig.6
图6

12. Place the hinge cover and plastic cover.

12. 装上门铰盖，盖上塑料孔盖。

13. Adjust the hinge of door in 3 direction to make sure the door level.

13. 如图所示三向调节门板位置。

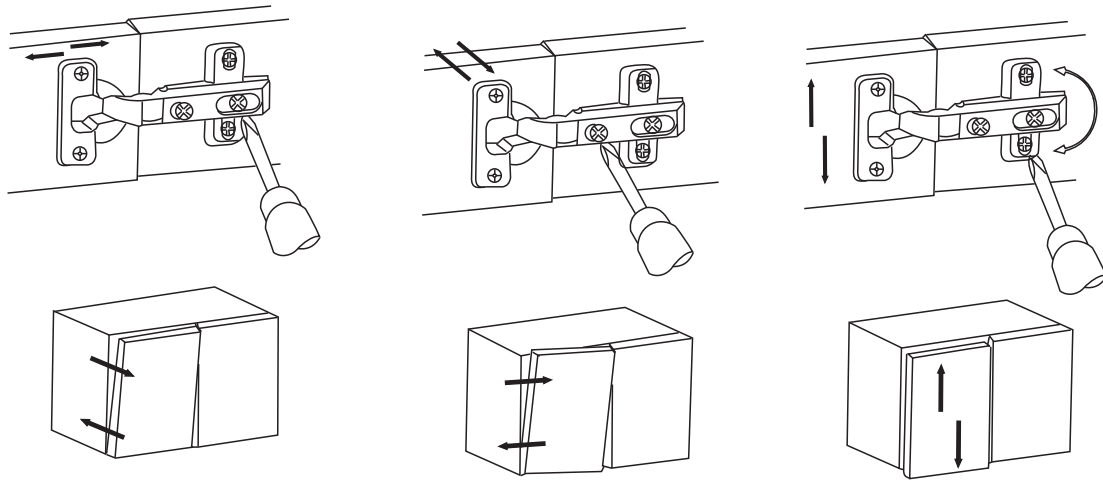


Fig.7
图7

Connect Drainage

连接排水管

1. Inwall drainage (P-Trap)

Please install the drain assembly and faucet as shown. Please set the water supply and drainage position according to the suppliers instructions. You can put the pipe into the U Notch.

1. 入墙式排水管(P弯管)

请按照如图所示安装排水管和龙头。请遵照供应商所提供的说明在墙上设置进/排水管位置。您可以把弯管放入U形缺口。

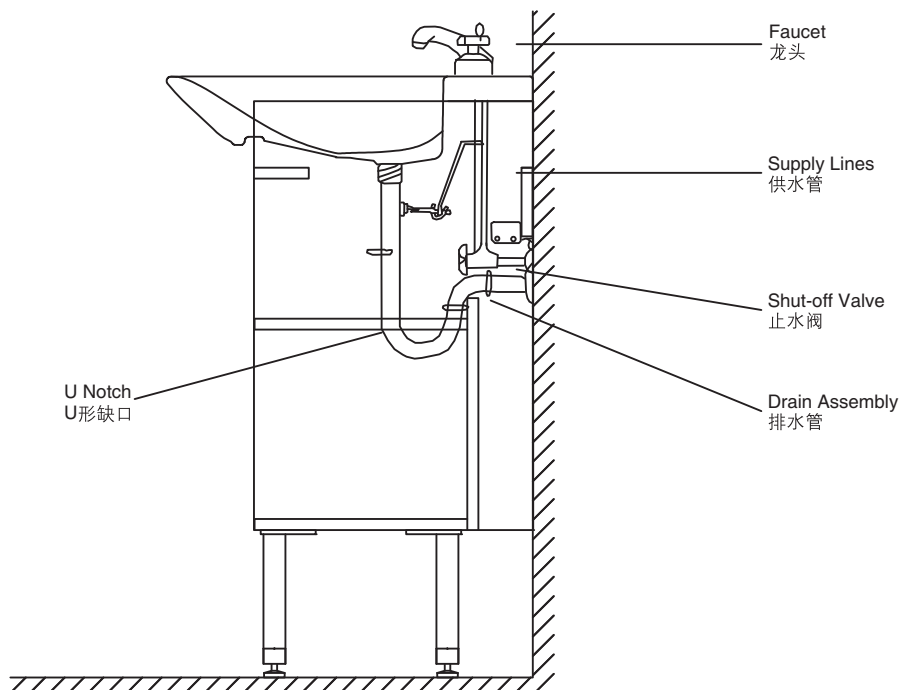


Fig.8
图8

2. Floor drainage (S-Trap)

Please install the drain assembly and faucet as shown. Please set the water supply and drainage position according to the suppliers instructions. You can put the pipe into the U Notch.

2. 地排水 (S弯管)

请按照如图所示设置排水管和龙头。请遵照供应商所提供的说明设进水管位置。您可以把弯管放入U形缺口。

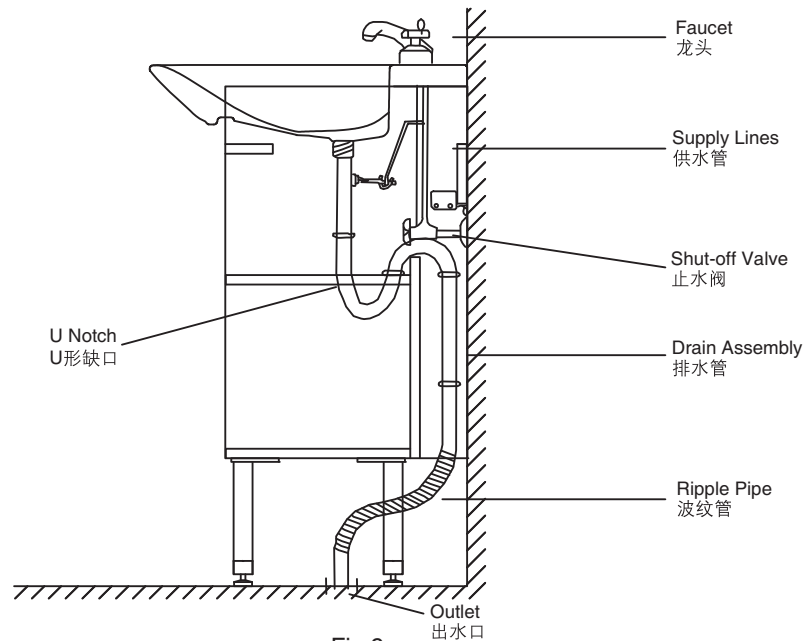


Fig.9
图9

USER MAINTENANCE

日常维护

Warn! Risk of product damage.

警告！小心产品受损。

1. Many cleansers contain abrasive and chemical substance which is not suitable for cleaning stainless steel, enamel, plating or plastic products. You may use mild cleansers or soaps to clean the surfaces. Wipe any splashes of cleaner solutions from the surface with clean soft cloth.
1. 许多清洁剂都含有研磨剂及化学物质，不可用于清洁不锈钢、搪瓷、镀层或塑料制品。这些表面须使用温和的清洁剂或皂液进行清洁，将残余洗涤剂洗干净，然后用干净的软布擦干。
2. Maintain ventilation in the bathroom, and separate the dry area from the damp one if conditions permit. Try to open the door and windows of the bathroom and maintain good ventilation.
2. 卫生间请保持良好的通风状态，有条件的可以干、湿分离，平常尽量保持浴室空气畅通，养成开窗开门的习惯。
3. Kohler bathroom cabinet are dealt with strict procedures for damp-proof, whose good damp-proof function ensures good performance even in bathroom of huge humidity. Yet do not splash and pour water directly on the bathroom cabinet. Make sure that the bathroom is not over damp and wipe any splashes from surfaces immediately.
3. 科勒浴柜都经过严格的防潮处理，但防潮并不是防水，使用时不可随意任浴柜被水浇、溅。良好的防潮性能可以保证在高相对湿度时仍有良好使用性，所以请避免卫生间过于潮湿，遇有水迹要及时擦干。
4. Maintenance of door board: Clean and wipe door board regularly, and wipe the condensation vapor with dry and soft cloth.
4. 门板的保养：经常用软布定期清洁、擦拭，洗浴后的冷凝水蒸气应用干布擦净，保持门板的干爽。
5. Ensure that electrical connections for appliances such as head lamp is insulated wipe mirror surface with chamois regularly to guarantee the persistent excellent performance.
5. 照明灯等电器连接要确保绝缘、防潮镜面最好用麂皮经常擦拭，可以保障使用质量经久如一。
6. Please do not sit, lean or step on the basin cabinet.
6. 日常使用时，请勿坐、倚、靠、踩踏在脸盆柜上。
7. If any fixtures caused by abnormal reasons, Kohler China can supply paid replacement for service parts caused by abnormal reasons as shown in the Service Parts Page in the limited duration of warranty.
7. 科勒公司确保在担保期内，可以提供因非正常原因造成的如维修零件图中零件的有偿更换。