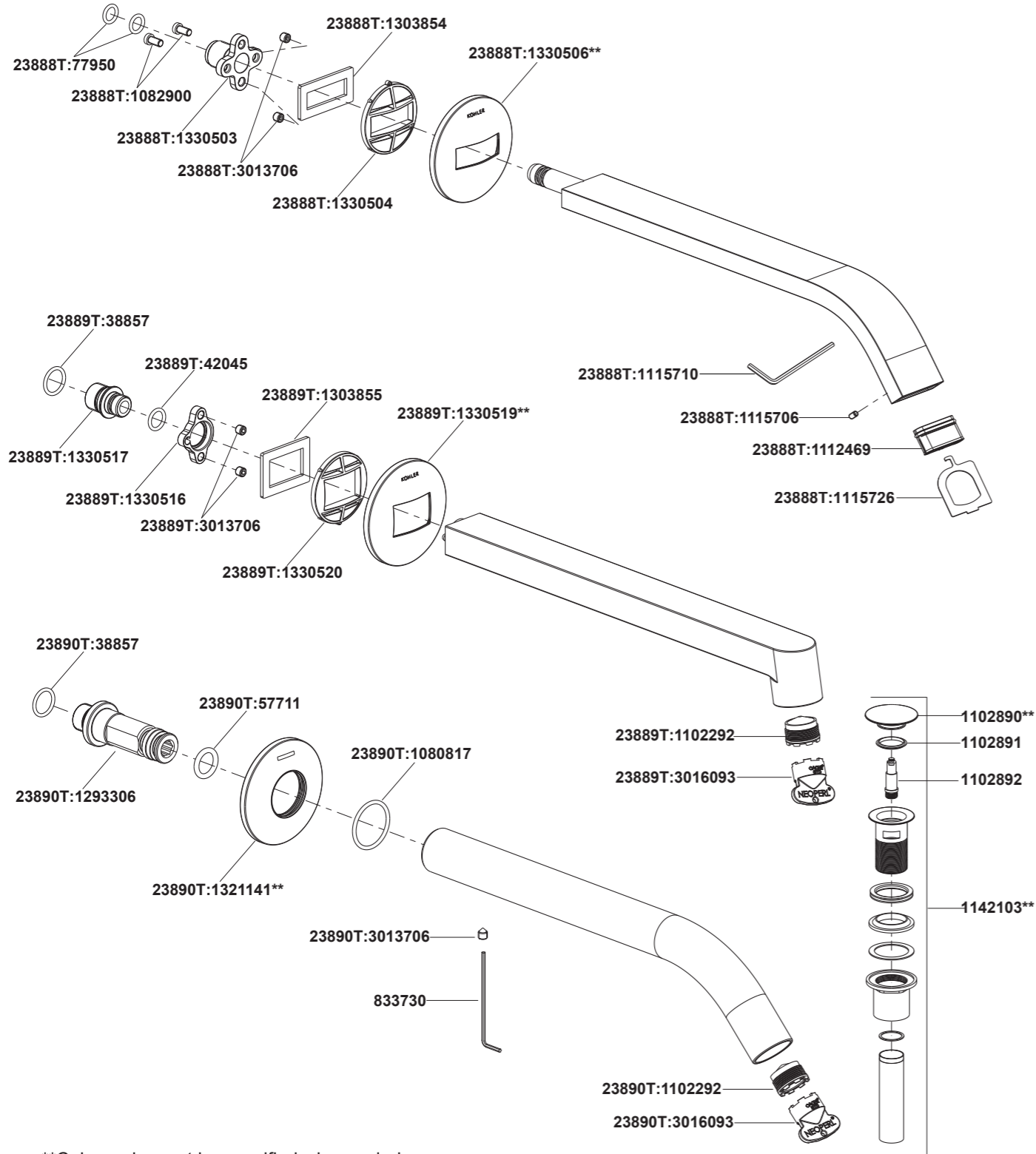


- 23888T Wall-Mount Lavatory Spout-Ribbon
- 23889T Wall-Mount Lavatory Spout-Row
- 23890T Wall-Mount Lavatory Spout-Tube



\*\*Color code must be specified when ordering.

**NOTE:** For all Asia pacific regions (excluding China) add SP (SPxxxxxx\*\*) in front of the part number when ordering.

- 23888T Wall-Mount Lavatory Spout-Ribbon
- 23889T Wall-Mount Lavatory Spout-Row
- 23890T Wall-Mount Lavatory Spout-Tube

**BEFORE YOU BEGIN**

All information is based on the latest product information available at the time of publication. Kohler Co. reserves the right to make changes in product characteristics, packaging, or availability at any time without notice. Please leave these instructions for the consumer. They contain important information.

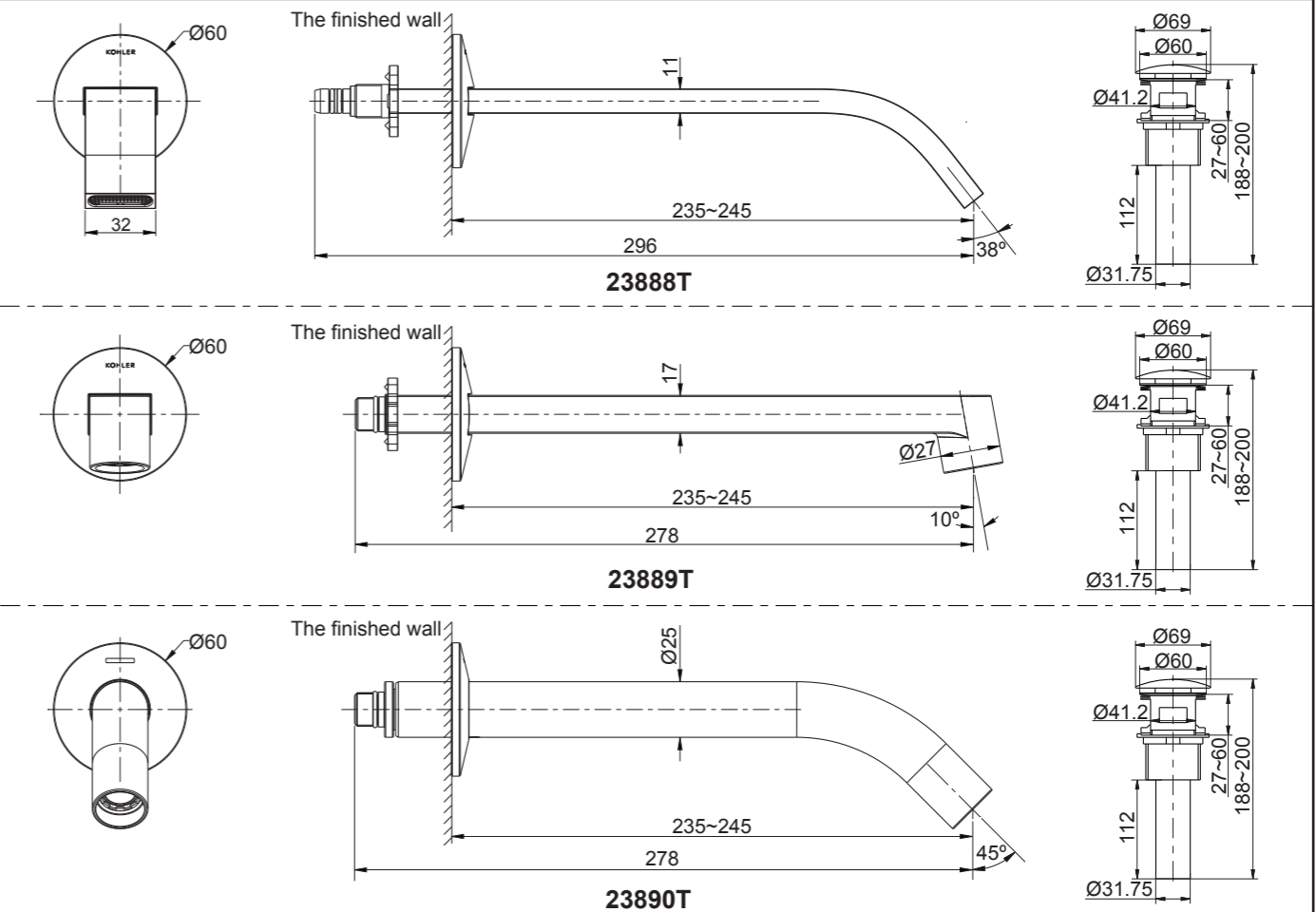
**NOTES:**

1. Flush the water supply pipes thoroughly to remove debris.
2. Inspect the supply tubing for damage. Replace as necessary.
3. Observe local plumbing codes.
4. These products should match with wall-mount lavatory faucet valve 28138T, 28139T-NA or 24896T-NA.
5. Install the valve 28138T, 28139T-NA or 24896T-NA before installing these spouts.

**STANDARD APPLICABLE**

Special model meets or exceeds the following at date of manufacture: TIS

**ROUGH-IN DIMENSIONS**



## INSTALLATION

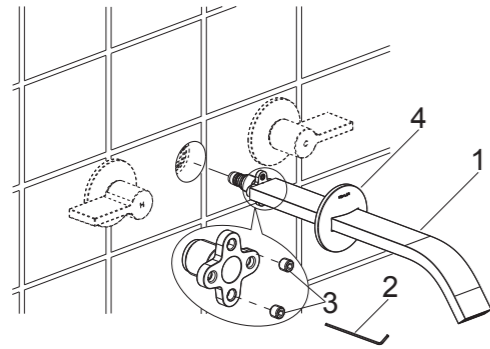
### How to Install the Spout

Remove and discard the spout protectors after completing the finished wall.

#### For 23888T & 23889T

Tighten the spout kit(1) into the valve body until the connector can not go farther. If needed, rotate the spout in opposite direction to adjust the spout outlet downwards. Tighten the screws(3) with hex wrench(2) to secure the spout kit.

Push the escutcheon(4) until it is against the finished wall.



#### For 23890T

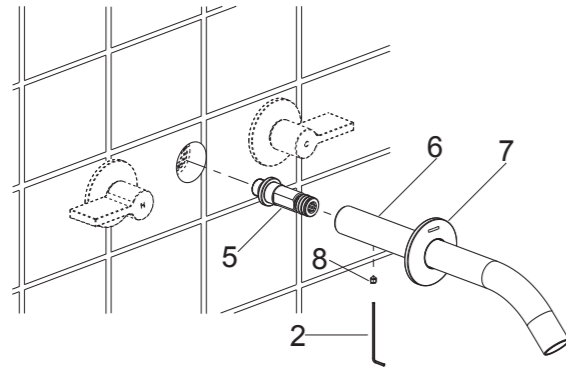
Install the connector(5) into the valve body.

Loosen the screw(8) from the spout kit(6) with hex wrench(2).

Slide the escutcheon(7) onto the spout.

Install the spout kit onto the connector. Make sure the spout outlet downwards. Tighten the screw to secure the spout kit.

Push the escutcheon until it is against the finished wall.

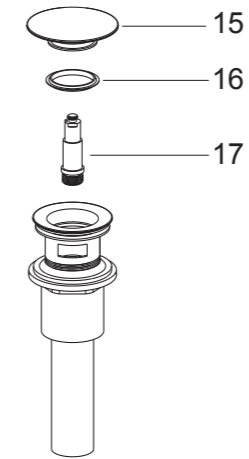
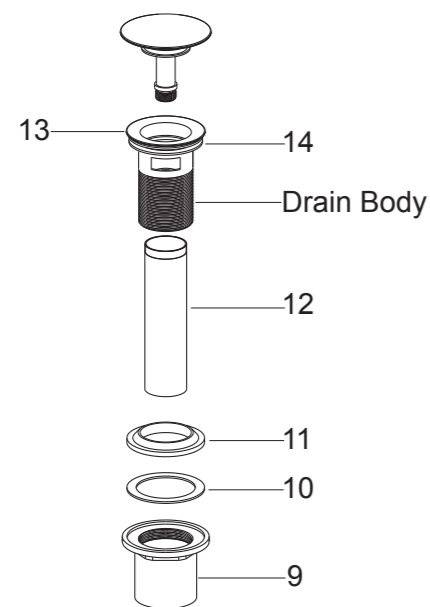


### How to Install the Drain

Remove the locknut(9), plastic washer(10), rubber gasket(11) and tailpiece(12) from the drain body. Supply enough tape or sealant to tailpiece thread. Reinstall the tailpiece. Insert the drain body into the lavatory. Install the rubber gasket(Tapered side up), plastic washer and locknut back to the drain body in turn. Tighten the locknut.

**NOTE:** If needed, apply a ring of plumbers putty or other sealants around the underside of the drain flange(13), instead of using rubber washer(14).

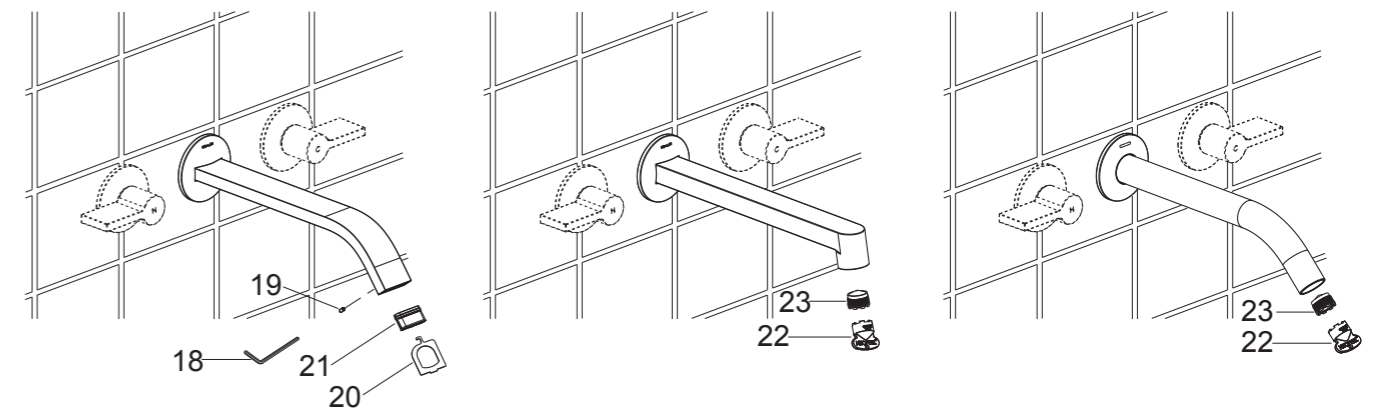
Do not reposition the drain after the locknut is tightened, or you may break the putty or sealant seal.



### Replace the Washer and Piston Kit

Turn counter-clockwise to remove the stopper(15). Take out washer(16). Replace with a new one. Turn counter-clockwise to remove the piston kit(17). Replace with a new one. Reinstall stopper and washer.

## INSTALLATION CHECKOUT



Ensure that all connections are tight.

Open the drain. Turn on main water supply and check for leaks. Repair as required.

For 23888T, loosen the screw(19) from spout with hex wrench(18). Remove the aerator(21) with key(20).

For 23889T & 23890T, remove the aerator(23) with key(22).

Flush hot and cold water through spout about one minute to remove any debris. Remove any debris from aerator. Turn off water supply and reinstall the aerator.

## CLEANING INSTRUCTIONS

All Finishes: Clean the finish with mild soap and warm water. Wipe entire surface completely dry with clean soft cloth. Many cleaners may contain chemicals, such as ammonia, chlorine, toilet cleaner etc, which could adversely affect the finish and are not recommended for cleaning.

Do not use abrasive cleaners or solvents on Kohler faucets and fittings.