



ARCHER™ 雅琦 INSTALLATION INSTRUCTIONS

安装说明书
VITREOUS CHINA PEDESTAL LAVATORY
釉面陶瓷柱盆
K-2359T-1/8
VITREOUS CHINA VANITY LAVATORY
釉面陶瓷一体化台盆
K-2358T-1/8

BEFORE YOU BEGIN 安装之前

- Please read these instructions carefully to familiarize yourself with the required tools, materials, and installation sequences. Follow the sections that pertain to your particular installation. This will help you avoid costly mistakes. In addition to proper installation, read all operating and safety instructions.
 - All information in these instructions is based upon the latest product information available at the time of publication. Kohler China reserves the right to make changes in product characteristics, packaging, or availability at any time without notice.
 - These instructions contain important care, cleaning, and warranty information-**please leave instructions for the consumer.**
 - Turn off the water supply.
 - The plumbing installation must comply with Water Supply Regulations/Bye-laws, Building Regulations or any particular regulations and practices, specified by the local water company or water undertakers. The installation should be carried out by a plumber.
 - Before installation carefully inspect the new fixture for any signs of damage.
 - Fixture dimensions are nominal and conform to tolerances established by ASME Standards (A112.19.2-2013).
 - The product complies with GB 6952-2015.
- 请仔细阅读本指引，以便熟悉所需工具、物料及安装程序。请遵照适用的章节来安装本产品，以免安装失当导致不必要的损失。除了有关正确的安装方法之外，还务请详阅所有操作及安全指引。
 - 本指引所载之一切资料，均以印刷时所有之最新产品情况为基础，科勒中国保留权利随时更改产品特性、包装或供应情况，恕不另行通知。
 - 本指引也包含了有关保养、清洁及担保等重要资料-请交予用户保存。
 - 关闭供水。
 - 管道安装必须遵循当地所有给排水、建筑或者其他的特别规定。管道安装人员必须具备相应资格。
 - 安装之前，仔细检查新产品是否有损伤。
 - 部件尺寸为标定值，误差符合美国ASME标准(A112.19.2-2013)。
 - 本产品符合GB 6952-2015。

ORDERING INFORMATION

This installation covers the following products in the ARCHER™ range:

ARCHER™ Pedestal Lavatory	K-2359T-1/8
Includes Basin.....	K-2358T-1/8
Includes Pedestal.....	K-2357T
ARCHER™ Vanity Lavatory	K-2358T-1/8

订购信息

此安装说明书适用于以下雅琦系列产品的安装:

雅琦柱盆	K-2359T-1/8
含脸盆.....	K-2358T-1/8
含立柱.....	K-2357T
雅琦一体化台盆	K-2358T-1/8

No.2 KOHLER ROAD, SANSHUI CENTRAL INDUSTRIAL PARK, LEPING TOWN, SANSHUI DIST., FOSHAN, GUANGDONG, PRC POST CODE 528137
广东省佛山市三水区乐平镇三水中心工业园区科勒大道2号 邮编: 528137

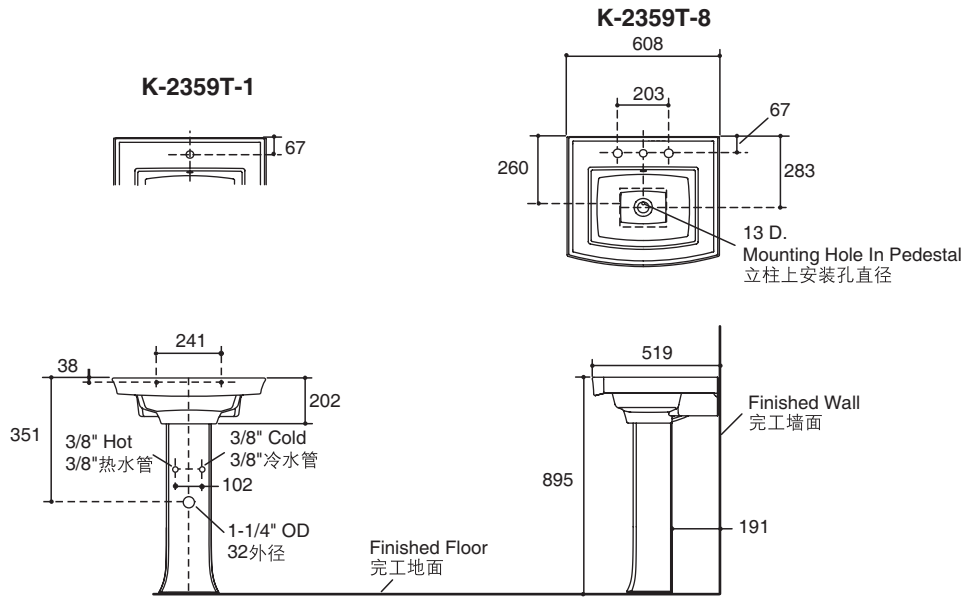
8# MENGSHAN RD, ECONOMIC DEVELOPMENT ZONE OF HUANTAI, ZIBO, SHANDONG, CHINA POST CODE: 256410
山东省淄博市桓台经济开发区蒙山路8号 邮编: 256410

ROUGHING-IN

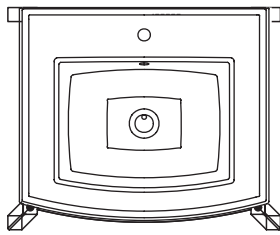
尺寸图

Reference Value
参考值

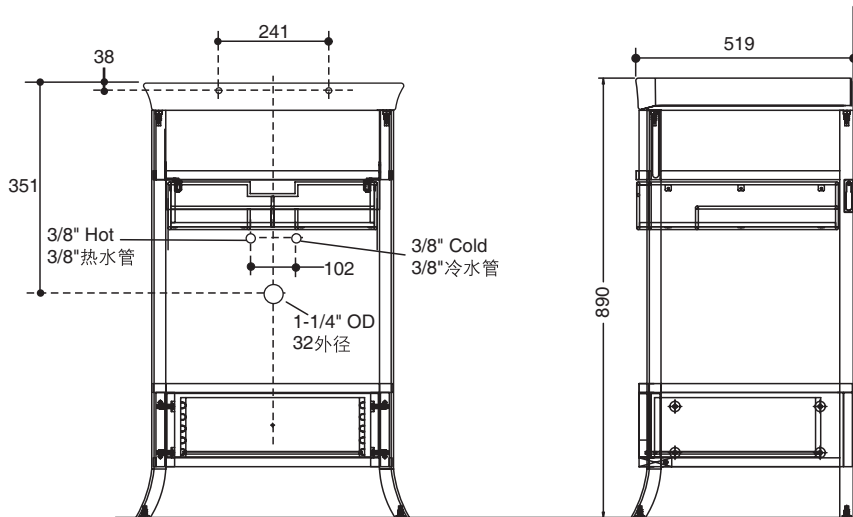
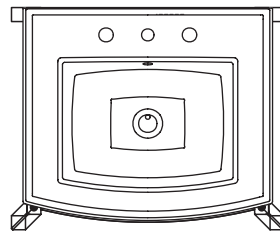
Unit: mm
单位: 毫米



K-2358T-1 + K-2449T-F2



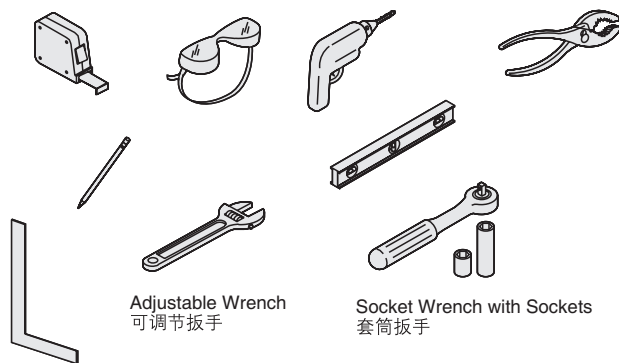
K-2358T-8 + K-2449T-F2



Kohler reserves the right to change marked dimensions without prior notice.
科勒公司保留随时变更图中标示尺寸的权利, 无需另行通知。

TOOLS (Not Supplied)

工具(不随货供应)



Adjustable Wrench
可调节扳手

Socket Wrench with Sockets
套筒扳手

Plus:

- Lag Bolts and Washers

其它:

- 方头螺栓和垫圈

INSTALLATION

安装

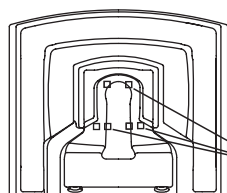
Only for Pedestal Lavatory (K-2359T-1/8)

适用于柱盆的安装(K-2359T-1/8)

- Rough-in the supplies and the drain piping.

NOTE: The supply stop handles cannot extend more than 76mm from the finish wall when in the open position.

- Install sufficient backing behind the finish wall to provide a secure material form the anchoring devices.
- Apply two self-adhesive gaskets (provided) to each of the three ridges in the bottom recess of the lavatory.



Bottom View
of Lavatory
洗脸盆底部

Apply
Adhesive
Gaskets
使用自粘垫子

- 画出供水及排水管道及阀门的轮廓线。

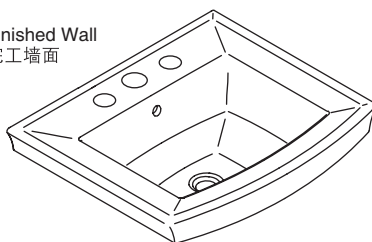
注意：供水开关手柄在打开位置时，距离完工墙面不得超过76mm。

- 要在完工的墙后安装足够的褥垫，为锚固装置提供牢靠的基础。

- 在洗脸盆底部凹进处的三个凸脊各放两块自粘垫子(已随货提供)。

- Mark the centerline of the pedestal mounting hole on the floor.
- Position the pedestal on the floor centerline.
- Carefully set the lavatory on the pedestal.
- Move the pedestal as required to ensure proper fit in the desired location.
- Level the lavatory. Add more self-adhesive gaskets as needed to level the lavatory.

Finished Wall
完工墙面



- 在地面上标记出立柱安装孔的中心线。

- 把立柱放在地面中心线位置上。

- 小心地将洗面盆安放在立柱上。

- 必要时移动立柱，以确保位置恰当。

- 调平洗面盆，如有需要，可使用更多的自粘垫子，以便持平。

注意：洗面盆必须由立柱支撑。

NOTE: The lavatory must be supported by the pedestal.

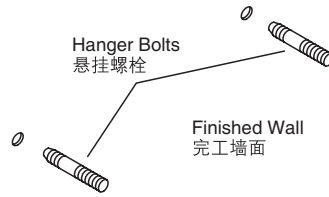
- Check the lavatory placement.
- Mark the center of each anchoring hole on the wall, and mark the floor through the hole in the pedestal bottom.
- Carefully remove the lavatory from the pedestal. Then move the pedestal from the area.

- 检查洗面盆是否正确安放。

- 在墙上标出每个安装孔的中心位置，并通过立柱底部的孔，在地面上作出标记。

- 小心地从立柱上移开洗面盆，再将立柱搬开。

- Drill a 6.3mm mounting hole at the mark on the floor, then drill two 6.3mm hanger bolt holes at the marks on the wall.
- Mount hanger bolts to the wall so approximately 32mm of each bolt remains exposed.



- 在地面标记处钻一个6.3mm的安装孔，然后再在墙上标记处钻两个6.3mm的悬挂螺栓孔。
- 将悬挂螺栓安装在墙上，并使每个螺栓保持外露32mm。

NOTE: Other fastening devices of sufficient size and strength may also be used.

注意：也可使用其它具有足够尺寸及强度的紧固装置。

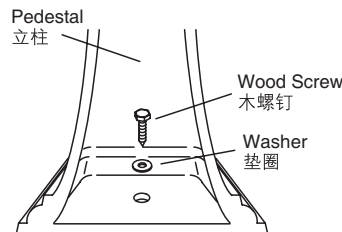
- Install the faucet and drain to the lavatory according to the manufacturer's instructions.

- 按照制造商之要求，将水龙头及排水管道安装在脸盆上。

NOTE: Do not fully tighten slip-joint drain connections at this time.

注意：此时勿将滑动排水连接器拧得过紧。

- Position the pedestal mounting hole over the hole in the floor.
- Secure the pedestal to the floor with the wood screw and washer. Tighten the wood screw until it is snug.

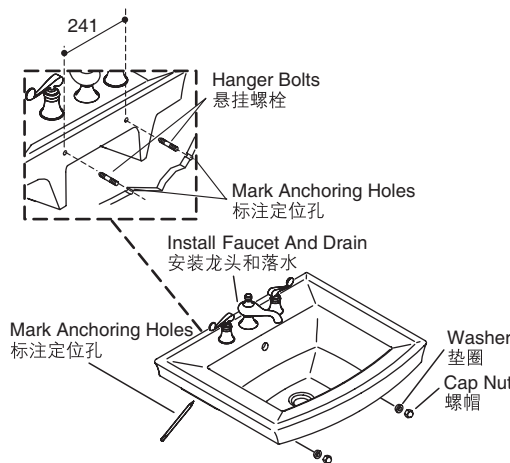


- 把立柱安装孔对准地面的孔。
- 用木螺钉及垫圈将立柱固定在地面上，拧紧木螺钉。

CAUTION: Risk of product damage. Do not overtighten. Overtightening may cause damage to the product.

CAUTION: 小心：有产品损坏之危险。不要把螺钉上得过紧，否则可能损坏产品。

- Set the lavatory on the pedestal so the hanger bolts extend through the lavatory holes.
- Level the lavatory.
- Install the cap nuts and washers, and tighten until snug.



- 将洗面盆放于立柱上，使悬挂螺栓穿过洗面盆的孔。
- 调平洗面盆。
- 安上螺母及垫圈，拧紧。

CAUTION: Risk of product damage. Do not overtighten the cap nuts. Overtightening may cause damage to the product.

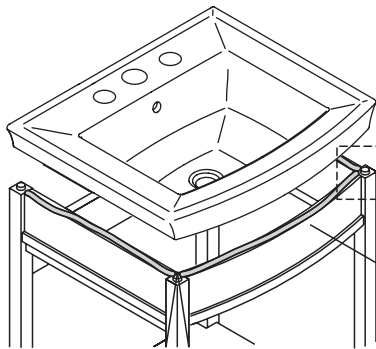
CAUTION: 小心：有产品损坏之危险。不要把螺母上得过紧，否则可能损坏产品。

- Connect and tighten the trap. Connect the hot and cold water supplies to the faucet.

- 连接并拧紧弯管。将热水及冷水管与水龙头连接。

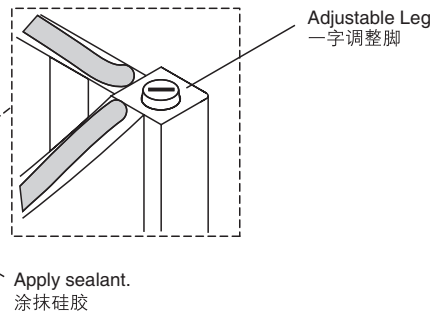
Only for Vanity Lavatory (K-2358T-1/8)

- Install the faucet to the lavatory following the faucet manufacturer's instructions.
- Properly seat the lavatory on top of the vanity. The back of the lavatory must be flush against the finished wall.
- Push down on each corner of the lavatory to make sure it does not rock from side to side on the vanity.
- Remove the lavatory from the vanity and set it aside.
- Apply a 3mm thick bead of silicone sealant around the top edge of the vanity.
- Carefully position the lavatory on top of the vanity.
- Apply a small bead of silicone sealant to the top edge where the lavatory contacts the wall. Allow the caulk to dry before proceeding. Refer to the manufacturer's instructions for recommended drying time.
- Connect the drain and supplies.



适用于柜盆的安装(K-2358T-1/8)

- 根据龙头生产商的说明将龙头安装至脸盆。
- 将脸盆轻轻地放置在柜体上。脸盆后部必须与完工墙面齐平。
- 按下脸盆各角，确保脸盆不会左右摇晃。
- 将脸盆从柜体移开，放置一边。
- 沿脸盆顶部边缘涂抹3mm厚的硅胶。
- 小心地将脸盆放置于柜体顶端。
- 在脸盆与墙体接触的顶部区域涂抹少量硅胶。待其干透后进行下一步操作。请参照生产商说明查看建议的干透时间。
- 连接落水及供水水管。



IMPORTANT CONSUMER INFORMATION

CARE AND CLEANING

CAUTION! Risk of product damage.

Many cleaners contain abrasive and chemical substances, and should not be used for cleaning stainless steel, enamel, plated or plastic fittings.

These finishes should be cleaned using a mild washing up detergent or soap solution, rinsed and then wiped dry with a soft clean cloth.

To keep your lavatory looking new, make sure you rinse it out thoroughly after each use. **DO NOT USE ABRASIVES** on this product, as they will scratch and ruin the surface. Stubborn stains, paint, or tar can be removed with turpentine or paint thinner.

Do not use the product in the water below 0°C.

CAUTION: Please do not use hard materials (like scouring pad) to clean product surface, especially the product logo.

用户须知

护理及清洁

警告! 有产品损坏的危险。

许多清洁剂包含磨损性的化学物质，不应该用来清洗不锈钢、釉质、镀金或塑料部件。

这些部件应用温和的清洁剂或者肥皂水来清洗、漂净，然后用柔软干净的布擦干。

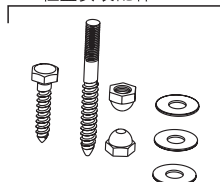
为保持脸盆常新，请确保每次使用后立即彻底冲洗，但切勿用腐蚀性清洁剂，以防止刮花或磨损盆面。如有顽渍、油漆或柏油点，可用松油或油漆稀释剂清洗。

不要在0°C以下的水环境中使用。

警告: 请勿使用钢丝球等硬质材料擦洗产品表面，特别是产品商标处。

SERVICE PARTS

52204
Accessory Pack,
Pedestal Lavatory
柱盆安装配件



63069
Leveling pads
水平绵垫

