

FINISHED WALL / BACK SPLASH
完工墙面/防溅挡板

CENTERLINE OF FITTING
安装中线

KOHLER®

科勒®厨卫经典

K-2336T 蒂梵诗 DEVONSHIRE®

釉面陶瓷台下脸盆 VITREOUS CHINA UNDERCOUNTER LAVATORY 切割图/安装说明书 CUT-OUT TEMPLATE / INSTALLATION INSTRUCTIONS

安装之前

注意

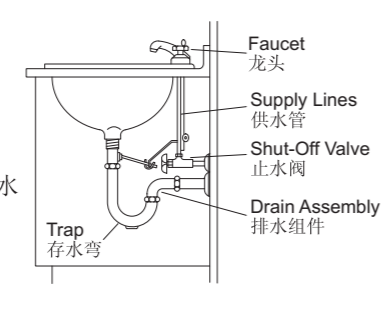
- 遵守当地所有给排水及建筑规定。
- 检查污水管及供水管。如有需要请更换。
- 安装之前，开启新脸盆的包装，仔细检查脸盆是否有损坏，再将脸盆放回包装盒内，到安装时才取出。
- 如果只是更换脸盆，请确保现有的台面开口不大于新脸盆所需开口的尺寸。
- 使用脸盆一起提供的模板。
- 如果已经随脸盆提供了密封胶，请勿再使用其他密封胶。
- 如果可能，在安装脸盆之前先将龙头和排水组接到脸盆上。

推荐工具及材料

- 安装模板(已提供)
- 护眼镜
- 铅笔
- 卷尺
- 涂油灰刀
- 匙孔线锯或手提电锯
- 密封胶
- 剪刀
- 喉管板钳
- 电钻(钻头直径13毫米即1/2英寸，或更大)
- 活动板钳
- 刮管刀
- 钢锯

移开原有脸盆

- 关闭龙头供水。
- 打开龙头阀门，然后拆下供水管。
- 拆下排水组件，取下存水弯。
- 移开脸盆。



BEFORE YOU BEGIN

NOTES

- Observe all local plumbing and building codes.
- Inspect the drainage and supply tubing. Replace if necessary.
- Prior to installation, unpack the new lavatory and carefully inspect it for damage. Return the lavatory to its protective carton until you are ready to install it.
- For replacement installations, make sure the existing cutout is the same or smaller size as the new lavatory.
- Use the template supplied with the lavatory.
- Do not substitute another sealant if one is supplied with this lavatory.
- If possible, assemble the faucet and drain to the lavatory before installing the lavatory.

RECOMMENDED TOOLS AND MATERIALS

- Template(supplied)
- Safety Glasses
- Pencil
- Tape Measure
- Rutty Knife
- Keyhole Saw or Saber Saw
- Sealant
- Scissors
- Pipe Wrench
- Drill with 130mm(1/2") or larger drill bit
- Adjustable Wrench
- Tubing Cutter
- Hacksaw

REMOVE EXISTING LAVATORY

- Turn off the water supply to the faucet.
- Open the faucet valves, then disconnect the supply lines.
- Disconnect the drain assembly and remove the trap.
- Remove the existing lavatory.

安装脸盆

注意：安装中要允许将来可以从盥洗台面之下进行拆装，以免台面损坏。

- 检查准备装上脸盆的位置，是否与防溅挡板、水龙头、脸盆及储物柜保持足够的距离。
- 剪出模板。
- 将模板小心放置于台上，并在台面上按照模板画出其边缘轮廓导线。
- 在盥洗台上标出水龙头头位的中心线。
- 在切线内侧钻出一个13毫米(1/2")的导孔。
- 用匙孔线锯或者手提电锯切开盥洗台面。

木制盥洗台面

- 按照模板所示的位置，在台面标出及预先钻木螺钉的孔位。
- 其它外露的木质表面需要保持防水。

大理石盥洗台面

- 将大理石盥洗台面侧过来放在泡沫上以保护其表面，按照模板所示的位置钻出各个直径为10毫米(3/8")深为16毫米(5/8")的孔位。
- 利用安装工具及锤子来固定铅锚。

对所有台面的安装

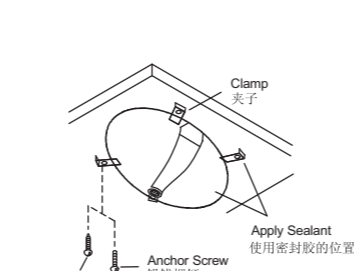
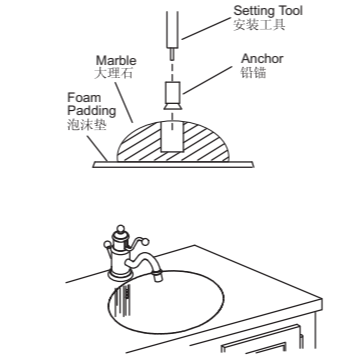
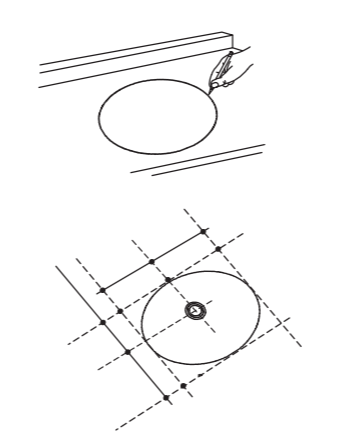
- 将脸盆挂于夹子上并锁紧夹子。
- 安装密封胶。
- 按照水龙头安装说明，钻出水龙头孔。

按照制造商的说明书，在盥洗台上安装水龙头。

按照制造商的说明书，在脸盆下安装排水管。

- 在与盥洗台接触的盆边缘上，如球中般连续涂上优质密封胶。
- 注意：随附的螺钉只适用于最小25毫米(1")厚的盥洗台，而较薄的盥洗台则需要其它合适的铅锚和扣钉。
- 在木质、木质合成物及大理石的盥洗台上安装脸盆时，可以使用随附的夹具和螺钉。其它物料制造的盥洗台，则请参照盥洗台制造商的说明书上所作的说明，使用适当的扣件。

- 在上紧夹具前，先将脸盆平整地放置在盥洗台切口下，然后小心地将脸盆拉起直至合度才可以上夹具，切勿上得太紧。
- 立即擦去多余的密封胶。
- 最后将所有的水管和水龙头与脸盆连接妥当，确保安装符合随附的所有水管和龙头说明书。
- 使用非腐蚀性的清洁剂进行清洁。



INSTALL THE LAVATORY

NOTE: Install so future removal from underneath the countertop is possible to avoid damage to the countertop.

- Check the desired lavatory location for clearance between the backsplash, faucet, fixture, and cabinet.
- Cut out the template.
- Carefully position and trace the template on the countertop as directed on the template.
- Mark the faucet hole centerline on the countertop.
- Drill a 13mm(1/2") pilot hole on the inside of the cut line.
- Cut out the countertop opening with a saber or keyhole saw.

FOR WOOD COUNTERTOPS

- Mark and pre-drill the wood screw holes at the locations shown on the template.
- Waterproof any exposed areas of wood.

FOR MARBLE COUNTERTOPS

- Position the countertop upside down on foam padding to protect the surface. Mark and drill 10mm(3/8") holes 16mm(5/8") deep at the locations shown on the template.
- Use a setting tool and hammer to secure the anchors.

FOR ALL INSTALLATIONS

- Hang the lavatory to clips and lock all clips.
- Install the countertop.
- Drill the faucet holes according to the faucet installation instructions.
- Install the faucet to the countertop according to the manufacturer's instructions.
- Install the drain to the lavatory according to the manufacturer's instructions.

NOTE: Do not use adhesives or adhesive sealants.

- Apply a continuous bead of quality sealant to the lavatory rim where it will contact the countertop.
- NOTE: The screws provided should be used on countertops with a minimum 25mm(1") thickness. For thinner countertops, use appropriate anchors and fasteners.
- For wood, wood composite, and marble countertops, install the lavatory to the countertop with the clamps and screws provided. For other countertop materials, refer to the countertop manufacturer's instructions for recommended fasteners.

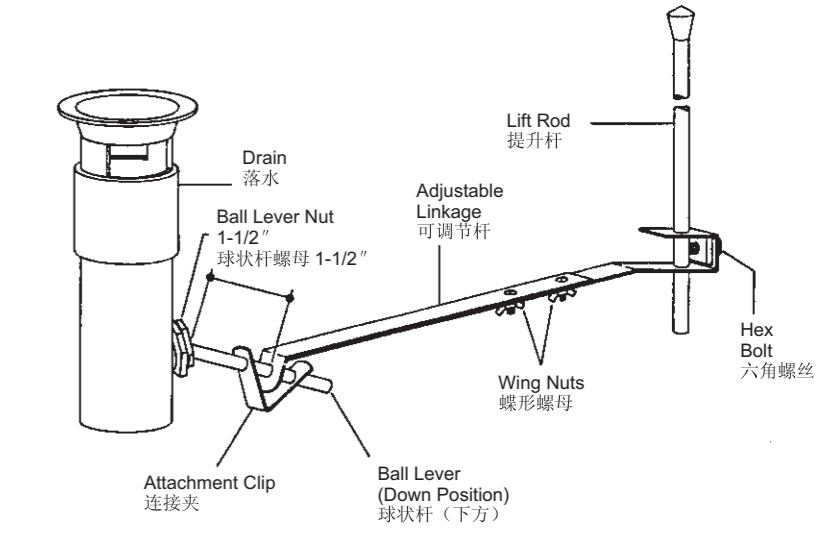
- Position the lavatory squarely under the cutout before tightening the clamps. Draw the lavatory rim up to the countertop until it is snug. Do not overtighten.
- Immediately wipe away any excess sealant.
- Make the final drain and faucet connections to complete the lavatory installation. Be sure to follow all instructions packed with the drain and faucet.
- Clean up with a non-abrasive cleaner.

ADJUSTABLE LINKAGE INSTALLATIONS

- Refer to illustration. Assemble adjustable linkage to ball lever with attachment clip so that the end of the adjustable linkage is approximately 1-1/2" from the ball lever housing. See dimension on illustration.
 - Loosen wing nuts on adjustable linkage. Position square end of linkage under lift rod and slide lift rod through holes in linkage.
 - Adjust ball lever to down position. Hand tighten wing nuts on adjustable linkage. Tighten hex bolt onto lift rod using a wrench.
 - Check operation. If needed, adjust the length of the linkage and its position on lift rod to obtain proper opening and closing of drain. Ball lever nut may need to be adjusted for smoother operation.
- Note: The fittings provided only include adjustable linkage and wing nuts. For other components shown on this page, please refer to related installation instructions!

可调节杆的安装

- 请参考图示安装：使用连接夹将可调节杆安装到球状杆上，这样使可调节杆的末端距球状杆外壳大约1-1/2"。尺寸见图示说明。
 - 松开可调节杆上蝶形螺母，定位可调节杆的方形末端使其位于提升杆的下方，滑动可调节杆使其穿过可调节杆上的孔洞。
 - 向下调节球状杆。手动拧紧可调节杆上的蝶形螺母，使用扳手拧紧六角螺丝使其紧固在提升杆上。
 - 检查安装位置。需要时，调节可调节杆相对于提升杆的长度和位置，以使排水管可恰当的打开和关闭。也可调节球状杆螺母以利于操作。
- 注意：随附配件仅含有可调节杆和蝶形螺母，其他图示配件请参照相关安装说明！



完工清洁

- 切勿使用磨蚀性清洁剂，以免刮花损伤脸盆表面。顽固的污渍，油漆或焦油可以用松节油或油漆稀释剂清除。

CLEAN-UP

- Do not use abrasives on this product, as they will scratch and ruin the surface. Stubborn stains, paint, or tar can be removed with turpentine or paint thinner.

用户须知

护理和清洁

为保持脸盆光洁如新，须确保每次使用后彻底冲洗干净，切勿使用磨蚀性的清洁剂，以免刮花及破坏脸盆的表面。要清除顽固污垢、油漆或焦油，可使用松节油或油漆稀释剂。

IMPORTANT CONSUMER INFORMATION

CARE AND CLEANING

To keep your lavatory looking new, make sure you rinse it out thoroughly after each use. DO NOT ABRASIVES on this product, as they will scratch and ruin the surface. Stubborn stains, paint, or tar can be removed with turpentine or paint thinner.

RIM OF LAVATORY
脸盆边缘

CUT ALONG THIS LINE
沿此线切割

WHEN PLOTTING TEMPLATE FULL SIZE:
Make sure horizontal and vertical dimensions match the dimensions labeled on the template.
按实际大小标绘切割图时：确保横向及纵向尺寸与切割图上所标尺寸相符。

1101648-T01-A