

在画出模板的全部尺寸时，确保水平和垂直尺寸与模板上标注的尺寸相符。  
**WHEN PLOTTING TEMPLATE FULL SIZE:**  
 make sure horizontal and vertical dimensions match the dimensions labeled on the template.

安装盥洗台下脸盆时，沿此线切割。  
**FOR UNDERCOUNTER INSTALLATION**  
 CUT ALONG THIS LINE

1039387-T01-A

**科勒** THE BOLD LOOK OF KOHLER  
 全球厨卫经典

**K-2330T**  
**凯瑟琳 KATHRYN®**

**釉面陶瓷台下式脸盆**  
**VITREOUS CHINA UNDERCOUNTER LAVATORY**  
**切割图/安装说明书**  
**CUT-OUT TEMPLATE / INSTALLATION INSTRUCTION**

**安装之前**

- 该脸盆可按盥洗台下或贴面砖方式进行安装。遵照适合您的产品安装指南进行操作。
- 遵守当地的给排水规定。
- 安装之前先拆开新脸盆的包装，检查有无损坏后放回纸箱中以免碰坏，到准备安装时才使用。
- 检查排水管和供水管，如有必要，则应更换。
- 如果不能遵守这些预防措施，可能导致安装不佳。

**脸盆台下式安装注意:**

- 盥洗台下脸盆应当由经验丰富的安装工进行安装。
- 安装本产品时不得使用粘合剂或有粘性的密封胶。
- 采用这种安装方式，就可以在在以后从盥洗台下方将脸盆拆下，以免台面受损。

**脸盆贴面砖式安装注意:**

- 由于安装这种脸盆可以采用多种方式，您可能需要使用与本文所述不同的步骤。切记，因为可以贴各种类型的瓷砖，您必须在安装前进行仔细测量。

- 对于替换性安装而言，确保保留的切口不大于新脸盆所需的切口。

- 安装新脸盆时应使用正确的材料，这一点非常重要。选择合适的面砖对于理想的安装至关重要。建议使用3/8英寸规格的瓷砖。因为面砖的程度各不相同，您的木工、砖瓦工和管道工均须清楚您所选择的面砖的精确类型。
- 在面砖选定之后，为装修工程中涉及到的每一位承包商提供一块样品面砖。木工、砖瓦工和管道工之间应保持密切联系并讨论各自需求，这一点非常重要。

**订购信息**

凯瑟琳洗脸台面.....K-3020T  
 凯瑟琳台下式脸盆.....K-2330T  
 凯瑟琳洗脸台脚.....K-6839T

**BEFORE YOU BEGIN**

- This lavatory can be installed in either undercounter or tile-in installations. Follow the instructions that apply to your installation.
- Observe local plumbing codes.
- Prior to installation, unpack the new lavatory and inspect it for damage. Return the lavatory to its protective carton until you are ready to install it.
- Inspect the waste and supply tubing, and replace as needed.
- Failure to follow these precautions may result in a poor installation.

**For Undercounter Installation:**

- Undercounter lavatories should be installed by experienced installers.
- Do not use adhesives or adhesive sealants with this product.
- Install so future removal from underneath countertop is possible to avoid countertop damage.

**For Tile-in Installation:**

- Due to the variety of installations possible with this lavatory, you may need to use procedures other than those described. Remember, because of the variety of tiles available, you must take careful measurements prior to installation.

- For a replacement installation, make sure the existing cutout is the same size or smaller than the cutout for the new lavatory.

- It is very important that the proper materials are used with your lavatory. Proper selection of tile is critical for a good installation. 3/8" tile is recommended. Because of the variance in tile thickness, your carpenter, tiler, and plumber must all be aware of the exact type of tile you choose.
- After selecting the tile, provide a sample to each contractor involved in the project. It is very important that the carpenter, tiler, and plumber maintain good communication and discuss requirements.

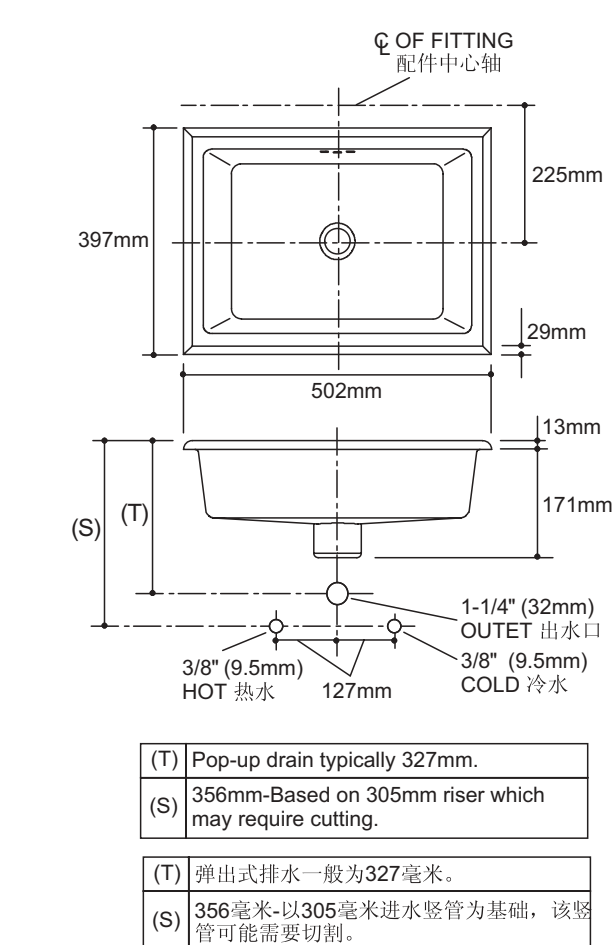
**ORDER INFORMATION**

Kathryn® Console Table.....K-3020T  
 Kathryn® Console Lavatory.....K-2330T  
 Kathryn® Console Leg.....K-6839T

**建议工具及材料**

- 管道油灰
- 手电电锯
- 卷尺
- 电钻
- 铅笔
- 剪刀
- 羊角锤

**尺寸图**



**RECOMMENDED TOOLS AND MATERIALS**

- Plumbers Putty
- Saber Saw
- Tape Measure
- Drill
- Pencil
- Scissors
- Claw Hammer

**ROUGH-IN**

**产品信息**

通用产品:	K-2330T	如图所示
432毫米×330毫米下侧溢流少槽面	K-2330T-G	未显示
432毫米×330毫米下侧溢流轴面	K-2330T-N	未显示
器具:	底部区	水深
K-2330T	432毫米×330毫米	76毫米
K-2330T-G		
K-2330T-N	432毫米×330毫米	114毫米
*以上近似数值，仅作参考。		

**台下式脸盆安装**

**注意:** 盥洗台的材料并非木材或复合材料，您可能需要在安装脸盆时需要使用其他更为专业的工具。

**注意:** 采用这种安装方式，您可以在以后从盥洗台下方将脸盆拆下，以免台面受损。

- 检查准备安装脸盆的位置，是否与后挡水板、水龙头、脸盆及台盆柜保持足够的间隙。
- 剪出模板。
- 将模板小心地放置于台上，并在盥洗台上按照模板画出其边缘轮廓线。
- 在盥洗台上标出水龙头孔位的中心线。
- 在切割线的内侧钻出一个直径为1/2英寸的定位孔。
- 用手提电锯或斜孔锯切并盥洗台。

**木质台面:**

- 按照模板所示的位置，在台面上标出及预先钻出水龙头孔位的孔。
- 其他外露的木材表面需进行防水处理。



**PRODUCT INFORMATION**

Applicable Lavatory:	K-2330T	Shown
432mm×330mm Overflow Less Glazed Underside	K-2330T	Shown
432mm×330mm Overflow and Glazed Underside	K-2330T-G	Not Shown
432mm×330mm Less Overflow and Glazed Underside	K-2330T-N	Not Shown
Fixture:	Basin Area	Water Depth
K-2330T	432mm×330mm	76mm
K-2330T-G		
K-2330T-N	432mm×330mm	114mm
Outlet:	D. 44mm	
* Approximate Measurements For Comparison Only.		

**UNDERCOUNTER INSTALLATION**

**NOTE:** you may require different, more specialized tools to install this lavatory to countertop materials other than wood or wood composites.

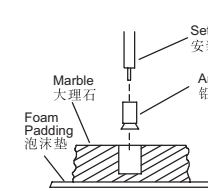
- Check the desired lavatory location for clearance between the backsplash, faucet, lavatory, and cabinet.
- Cut out the template.
- Carefully position and trace the template on the countertop as directed on the template.
- Mark the faucet hole centerline on the countertop.
- Drill a 1/2" pilot hole on the inside of the cut line.
- Cut out the countertop opening with a saber or keyhole saw.

**For Wood Countertops**

- Mark and pre-drill the wood screw holes at the locations shown on the template.
- Waterproof any exposed areas of wood.

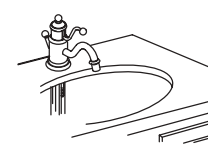
**大理石/花岗岩台面:**

- 将大理石台面预过来放在泡沫衬垫上以保护其表面。按照模板所示的位置钻出各个直径为10毫米、深度为16毫米的孔。
- 利用装置工具和铁锤将安装螺丝固定牢。



**其它:**

- 如果还未安装台面，请在这时安装上。
- 按照龙头安装说明书钻出龙头孔位。
- 按照制造商的说明书，在台面上装上水龙头。
- 按照制造商的说明书，在脸盆下装上排水管。



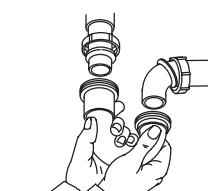
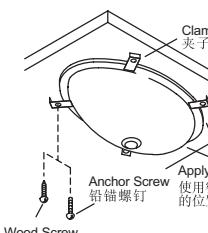
**注意:** 不得使用粘合剂或有粘性的密封胶。

在与盥洗台接触的盥洗台边缘的上表面上连接涂漆一层优质密封胶。

**注意:** 随附的螺丝只适用于最小25毫米厚的盥洗台，而稍薄些的盥洗台，可使用其他合适的安装螺丝和紧固件。

**⚠ 谨慎，当心身体受伤或产品损坏。** 脸盆份量极重，请他人帮助共同抬起脸盆。

- 在木质、复合木材以及大理石台面上安装脸盆时，可使用随附的夹具和螺丝。使用其他物料制造的面盆，则请参阅其制造商说明书上的建议，使用其推荐的紧固件。
- 在上紧夹具之前，先将脸盆平整地放在台面的切口下，然后小心地将脸盆拉起直至合适才可上夹具，切勿拧得太紧。
- 立即擦去多余的密封胶。
- 最后将所有水管及水龙头与脸盆连接妥当，从而完成脸盆的安装。务必遵守排水管和水龙头包装中的所有安装说明书。



**贴面砖式安装**

**注意:** 安装本脸盆时，建议在夹板之上安装面砖的支撑板作为垫层。应当使用干式或波特兰水泥砂浆来将面砖与支撑板粘合起来。

- 可接受的垫层包括:
- 3/4英寸(19.05mm)室外用夹板上的面砖支撑板。
- 3/4英寸(19.05mm)室外用夹板。

**不得使用:**

- 钢化板;
- 室内用夹板;
- 石膏墙面板;

**注意:** 请咨询面砖承包商，确定将要使用的材料。

- 检查准备安装脸盆的位置，是否与后挡水板、水龙头、脸盆及台盆柜保持足够的间隙。
- 剪出模板。
- 将模板小心地放置于台上，并在台面上按照模板画出其边缘轮廓线。
- 在切割线的内侧钻出一个直径为1/2英寸的定位孔。
- 用手提电锯或斜孔锯切并台面。
- 测量并对比脸盆边缘和面砖的厚度。脸盆边缘的厚度为10毫米，误差±1毫米。因为面砖和脸盆的厚度各不相同，或者如果使用粘合剂或砂浆层安装，应留出间隙来填补脸盆，或根据面砖留出垫层。

**TILE-IN INSTALLATION**

**NOTE:** The backer board installed over plywood is the recommended underlayment for installing this lavatory. Tile should be bonded to the backer board with dry set or latex portland mortar.

Acceptable underlayments include:

- The backer board over 3/4" (19.05mm) exterior grade plywood.
- 3/4" (19.05mm) exterior grade plywood.

**Do not use:**

- Flakeboard;
- Interior grade plywood;
- Gypsum wallboard.

**NOTE:** Consult with the tile contractor to determine the material to be used.

- Check the desired lavatory location for clearance between the backsplash, faucet, lavatory, and cabinet.
- Cut out the template.
- Position and trace the template on the countertop as directed on the template.
- Drill a 1/2" pilot hole on the inside of the cut line.
- Cut out the countertop with a saber or keyhole saw.
- Measure and compare the thickness of the lavatory rim and tile. The lavatory rim thickness is 3/8" (10mm) +/- 1/32" (1mm). Because of the varying thickness of the tile and lavatory, or if adhesive or mortar bed installation is used, make allowances to shim the lavatory, or route the underlayment as required.

**NOTE:** The lavatory is designed to be installed flush or slightly lower than the surrounding tile.

**CAUTION: Risk of personal injury or product damage.** Lavatories are very heavy. Get help lifting the lavatory.

- Position the lavatory in the countertop opening. Verify the fit and position.
- Remove the lavatory.
- Place a 1" (25mm) spot of sealant at each corner of the frame where it will contact lavatory.

**NOTE:** Apply additional sealant if using shims.

- Carefully position the lavatory.
- Use sealant in space between lavatory and tile.
- Tile and grout to allow an acceptable space between the tile and lavatory.

**IMPORTANT CONSUMER INFORMATION (CARE AND CLEANING)**

To keep your lavatory looking new, make sure you rinse it out thoroughly after each use. DO NOT ABRASIVES on this product, as they will scratch and ruin the surface. Stubborn stains, paint, or tar can be removed with turpentine or paint thinner.

**Plumbing Fixtures and Fittings Limited One-year Warranty**

Kohler plumbing fixtures and fittings are warranted to be free of manufacturing defects.

This product is warranted for one year from date of purchase. Kohler China will be responsible for any problems caused by manufacturing defects provided with the invoice. Kohler China will, at its election, repair, replace or make appropriate adjustment when Kohler China inspection discloses any such defects occurring in normal usage within one year after purchase.

Implied warranties including that of merchantability and fitness for a particular purpose are expressly limited in duration to the duration of this warranty. Kohler China disclaims any liability for special, incidental or consequential damages. Damages to the product caused by misuse, abuse and installation that is not in accordance with the owner's manual are not covered by this warranty.

To obtain quick warranty service, please contact your dealer, or write to Kohler China. (Original sales receipt must be provided as the proof of purchase.)

这里所指的担保，包括产品，都已明确地限制在该担保期之内。科勒中国有限公司对其后出现的损坏不承担任何责任。担保也不包括外观损伤、使用不当以及未说明书安装的损失。

为获得快捷的担保服务，请联系您的经销商；您也可写信给科勒中国有限公司(请出示销售发票原件作为购货凭证)。

科勒(中国)投资有限公司  
 中央客户服务中心  
 上海市卢湾区淮海中路138号  
 上海广场19楼  
 邮编: 200021

Kohler China Investment Company Ltd.  
 Central Customer Service Center  
 19/F, Shanghai Square, 138 Huai Hai Road,  
 Luwan District, Shanghai, PRC  
 Zip Code: 200021

这是我们全部的书面担保。

This is our exclusive written warranty.