


BEFORE YOU BEGIN

安装之前

- Please read these instructions carefully to familiarize yourself with the required tools, materials, and installation sequences. Follow the sections that pertain to your particular installation. This will help you avoid costly mistakes. In addition to proper installation, read all operating and safety instructions.
- All information in these instructions is based upon the latest product information available at the time of publication. Kohler China Ltd. reserves the right to make changes in product characteristics, packaging, or availability at any time without notice.
- These instructions contain important care, cleaning, and warranty information-**please leave instructions for the consumer.**
- Obey all electrical regulations in force at the time of installation.

 **Warning! Risk of personal injury and product damage.** Mirrored cabinets are very heavy and should not be lifted or installed by just one person.

- 请仔细阅读本指引，以便熟悉所需工具、物料及安装程序。请遵照适用的章节来安装本产品，以免安装失当导致不必要的损失。除了有关正确的安装方法之外，还务请详细阅读所有操作及安全指引。
- 本指引所载之一切资料，均以印刷时所有之最新产品情况为基础，科勒中国保留权利随时更改产品特性、包装或供应情况，恕不另行通知。
- 本指引也包含了有关保养、清洁及担保等重要资料-**请交予用户保存。**
- 遵循当地所有的电器安装规定。

 **警告！**小心人身伤害和产品受损。镜架安装时请勿一人操作。

DESCRIPTION

Visible surfaces of natura mirror are white, and oak grain. The series adopt E1 grade wood-based panel of high quality, and with further processing, its harmful emissions will be less than 1.5mg/L.

产品描述

蕾淑尔镜子可视面为白色和橡木纹色。该系列产品选用E1级优质饰面人造板精心加工而成，其有害气体释放量少于1.5mg/L。

ORDERING INFORMATION

This installation covers the following products in the NATURA range:

NATURA 700mm Mirror15457T-FL/15457T-FH
NATURA 1050mm Mirror15458T-FL/15458T-FH

订购信息

此安装说明书适用于以下蕾淑尔系列家具的安装：

蕾淑尔700mm镜子15457T-FL/15457T-FH
蕾淑尔1050mm镜子15458T-FL/15458T-FH

SAFETY: WARNINGS

Kohler products are precision engineered and should give continued superior and safe performance, provided:

- 1.They are installed, commissioned, operated and maintained in accordance with the recommendations given in this Manual.
- 2.Periodic attention is given, as necessary, to maintain the product in good functional order. Recommended guidelines are given in the **MAINTENANCE** section.

Carefully inspect the new fixture for any signs of damage. When installing Kohler Products, manufacturers guidelines for power tool safety should be followed.

安全：警告

科勒产品经过精确制造，性能卓越，经久耐用。为保证产品品质，您必须：

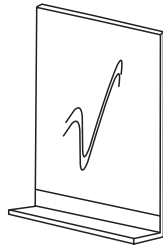
1. 按照此手册中推荐的方法进行安装、起动、操作及维护。
2. 如有需要，定期检查，令产品保持良好性能状态。日常维护章节中列有推荐方法。

仔细检查新产品是否有损伤。在安装科勒产品时，必须遵循制造商有关电动工具的安全指令。

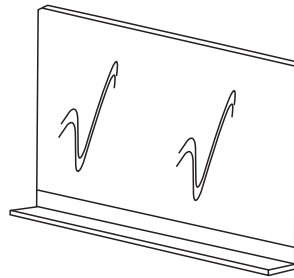
ROUGHING-IN

尺寸图

UNIT : mm
单位: 毫米



15457T—700mm(width)宽度
Mirror
镜子



15458T—1050mm(width)宽度
Mirror
镜子

INSTALLATION

安装

A. Install Mirror

1. Mark the position of hanged bracket on the wall according to dimensions as illustrated. X dimension means the width of mirror you will install.

Caution! Avoid the cables and pipes inner set when drilling in the wall.

Note: Different types of bolts are required for different decoration boards. Please apply suitable bolts and board nuts.

2. Ensure that the electricity supply cables (three cores) for illumination are installed.

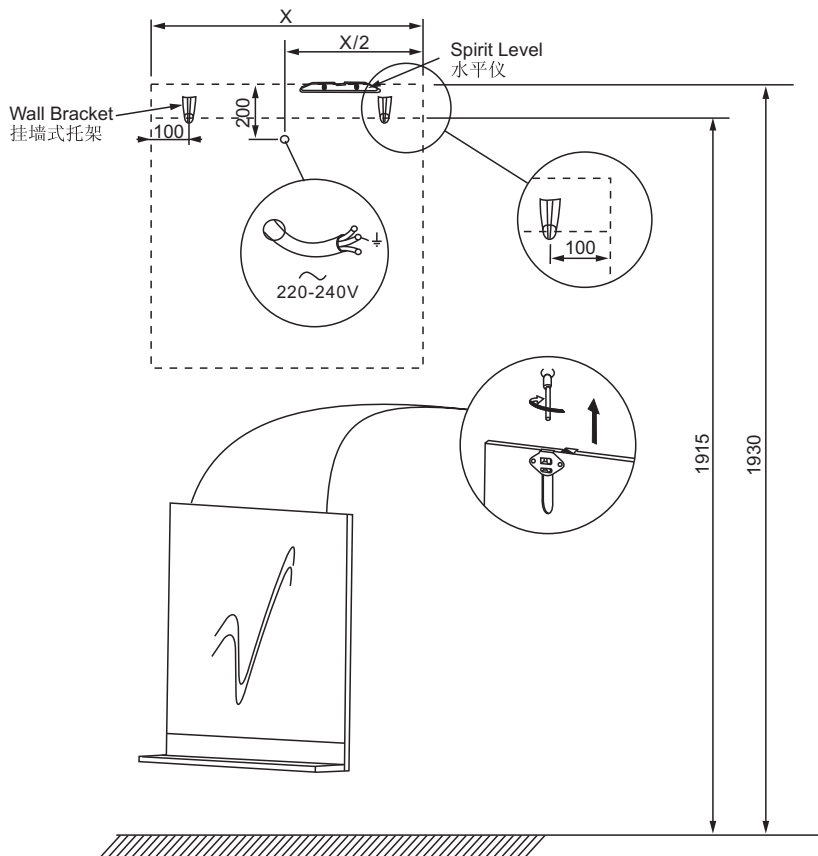
A. 安装镜子

1. 根据图示尺寸在墙壁上标出挂墙式托架的位置。其中X尺寸表示您所安装的特定镜子的宽度。

小心! 在墙壁上钻孔时请务必小心避开内置的缆线和管道。

注意: 不同的装饰墙需要不同型号的螺钉。请使用合适的螺钉和墙面插塞。

2. 确保用以照明的电力供应线(三芯)已经安装。



UNIT : mm
单位: 毫米

X=Mirror Width
X=镜子宽度

Fig.1
图示1

3. Drill holes for fixing hanged bracket. Using level to make sure that the hanged bracket is level.
4. Fix bracket on the wall with bolts and nuts.
5. Adjust bracket clips at the back of mirror to make sure that the mirror is correctly hanged.
6. Hang the mirror on the wall, and position bracket clips on hanged bracket.
7. Adjust the bolts in the bracket suspension, and make sure that the mirror is level.

3. 钻好挂墙式托架的安装孔。使用水平仪检查，确保挂墙式托架水平。
4. 使用插塞和螺钉，将挂墙托架固定在墙上。
5. 调整镜子后面的托架夹子确保镜子能够正确悬挂。
6. 将镜子挂在墙上，托架夹子置放于挂墙式托架上。
7. 调节托架夹子的螺钉，使镜子保持水平。

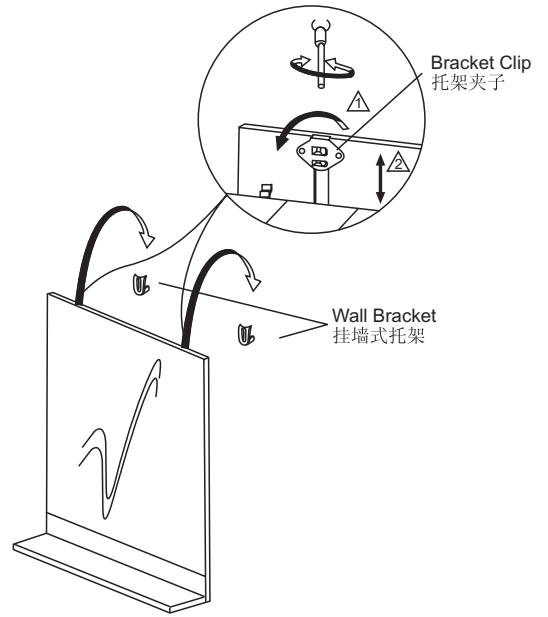


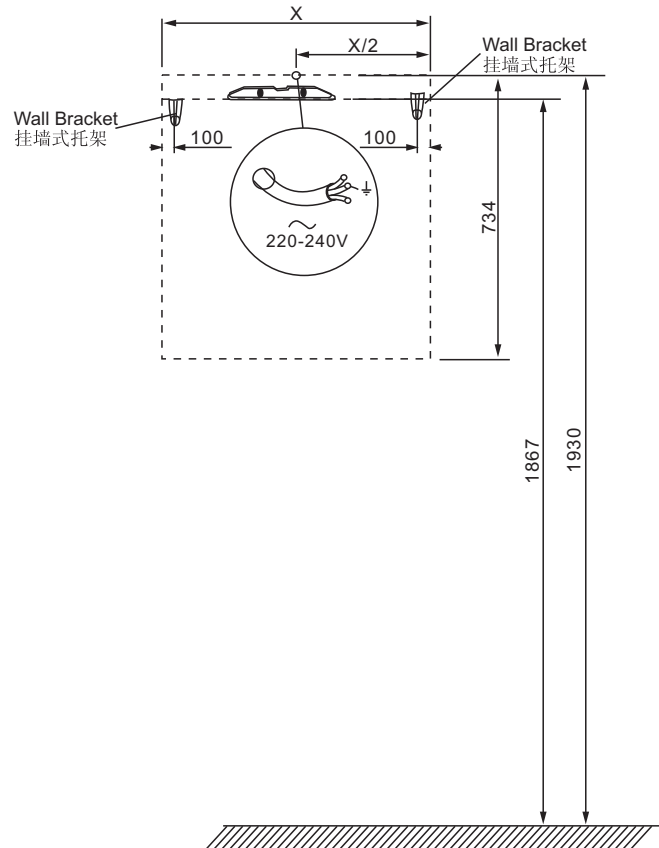
Fig.2
图示2

B. Install Hanged Bracket (Mirror Cabinet)

B. 安装挂墙式托架(镜柜)

1. Mark the position of hanged brackets on the wall according to dimensions as illustrated. X dimension means the width of mirror cabinet.

1. 根据图示尺寸在墙上标出挂墙式托架的位置。其中X尺寸是镜柜柜体的宽度尺寸。




UNIT : mm
单位：毫米

X=Mirror Cabinet Width
X=镜柜柜体宽度

Fig.3
图示3


2. Ensure that the electricity supply cables (three cores) for illumination are installed.

 **Caution!** Avoid the cables and pipes inner set when drilling in the wall.

Note: Different types of bolts are required for different decoration boards. Please apply suitable bolts and board nuts.

3. Drill holes for fixing hanged bracket. Using level to make sure that the hanged bracket is level.
4. Fix bracket on the wall with bolts and nuts.

2. 确保用以照明的电力供应线(三芯)已经安装。

 **小心!** 在墙壁上钻孔时请务必小心避开内置的缆线和管道。

注意: 不同的装饰墙需要不同型号的螺钉。请使用合适的螺钉和墙面插塞。


3. 钻好挂墙式托架的安装孔。使用水平仪检查, 确保挂墙式托架水平。
4. 使用插塞和螺钉, 将托架固定在墙上。

USER MAINTENANCE

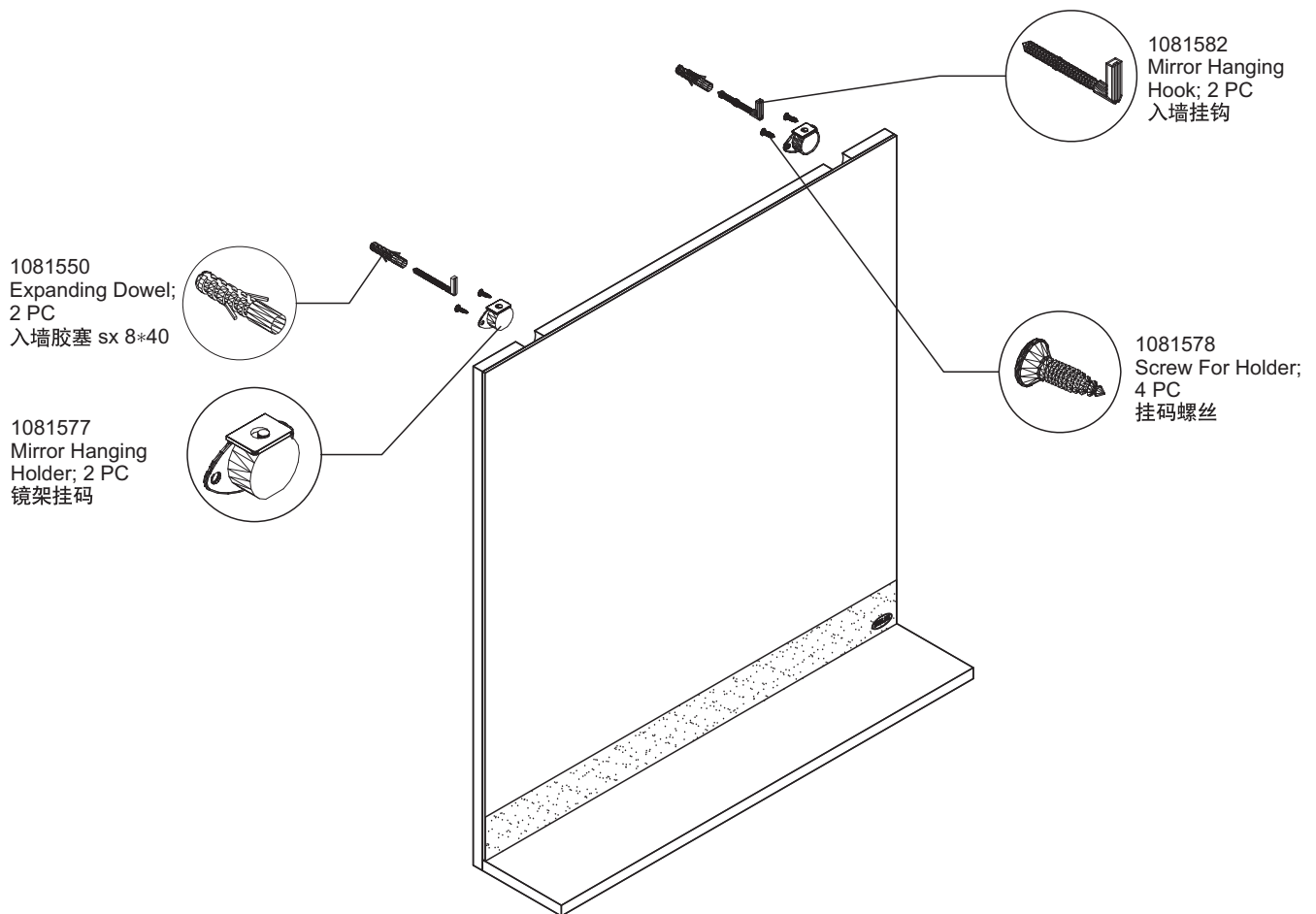
 **Warn! Risk of product damage.**

1. Many cleansers contain abrasive and chemical substance which is not suitable for cleaning stainless steel, enamel, plating or plastic products. You may use mild cleansers or soaps to clean the surfaces. Wipe any splashes of cleaner solutions from the surface with clean soft cloth.
2. Maintain ventilation in the bathroom, and separate the dry area from the damp one if conditions permit. Try to open the door and windows of the bathroom and maintain good ventilation.
3. Kohler bathroom cabinet are dealt with strict procedures for damp-proof, whose good damp-proof function ensures good performance even in bathroom of huge humidity. Yet do not splash and pour water directly on the bathroom cabinet. Make sure that the bathroom is not over damp and wipe any splashes from surfaces immediately.
4. Maintenance of door board: Clean and wipe door board regularly, and wipe the condensation vapor with dry and soft cloth.
5. Ensure that electrical connections for appliances such as head lamp is insulated ; wipe mirror surface with chamois regularly to guarantee the persistent excellent performance.
6. Please do not sit, lean or step on the cabinet.

日常维护

 **警告! 小心产品受损。**

1. 许多清洁剂都含有研磨剂及化学物质, 不可用于清洁不锈钢、搪瓷、镀层或塑料制品。这些表面须使用温和的清洁剂或皂液进行清洁, 将残余洗涤剂洗干净, 然后用干净的软布擦干。
2. 卫生间请保持良好的通风状态, 有条件的可以干、湿分离, 平常尽量保持浴室空气畅通, 养成开窗开门的习惯。
3. 科勒浴柜都经过严格的防潮处理, 其良好的防潮性能可以保证在相对湿度很大的浴室里有良好的使用性, 但使用时仍然不可以随意任浴柜被水浇、溅。所以请避免卫生间过于潮湿, 遇有水迹要及时擦干。
4. 门板的保养: 经常定期清洁、擦拭, 洗浴后的冷凝水蒸气应用干燥的软干布擦净, 保持门板的干爽
5. 照明灯电器连接要确保绝缘、防潮; 镜面最好用麂皮经常擦拭, 可以保障使用质量经久如一。
6. 请勿坐、倚靠、踩踏在浴柜上。



**订购时请说明颜色编号
** Color code must be specified when ordering.