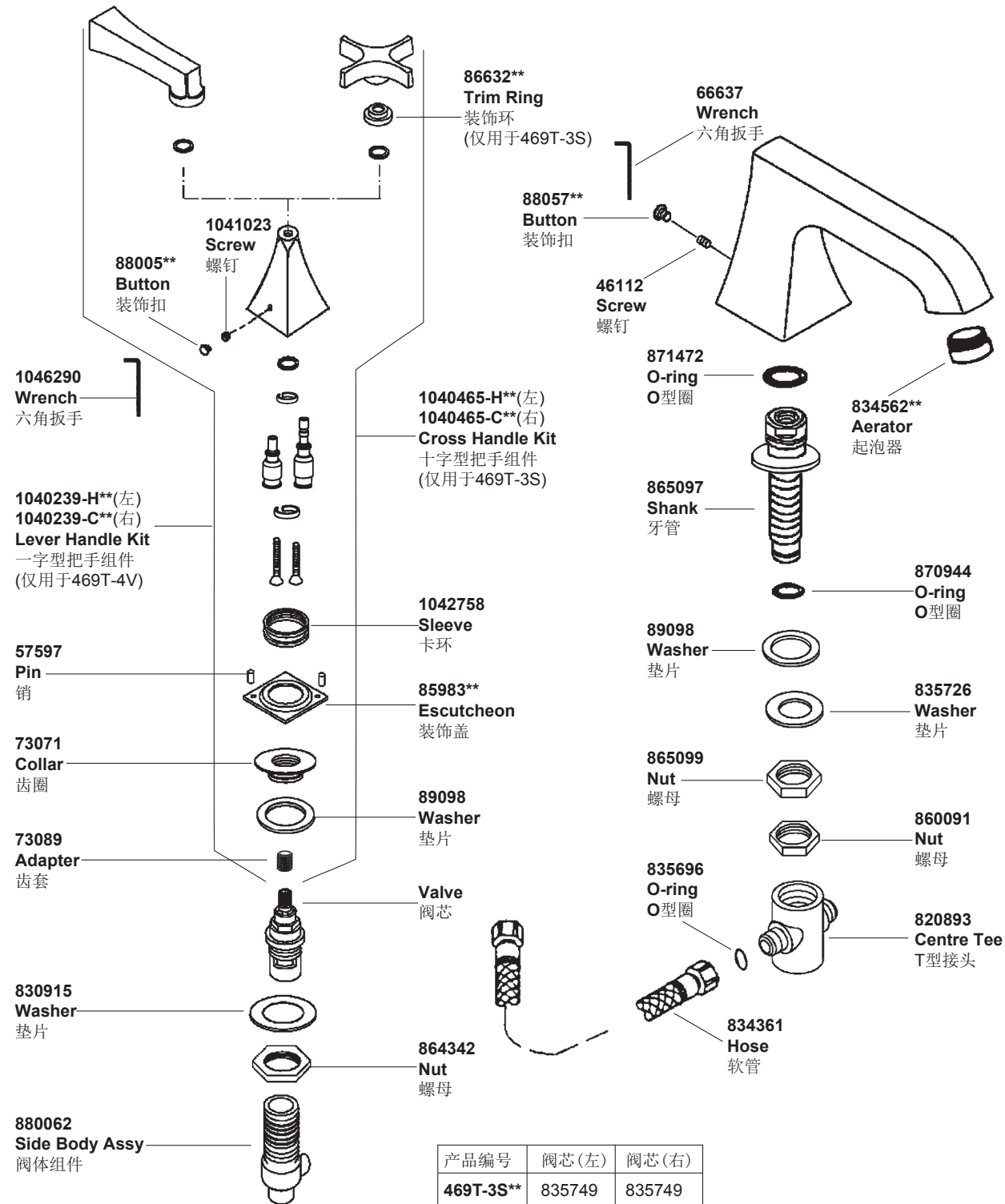


469T 缸边(台面)式浴缸龙头



产品编号	阀芯(左)	阀芯(右)
469T-3S**	835749	835749
469T-4V**	835749	835750

**订购时请说明颜色编号

**Color code must be specified when ordering

469T 缸边(台面)式浴缸龙头

安装之前

所有的资料是按最新发布的产品资料编写而成。科勒公司保留任何时候不经通知即可改变产品特性、包装或产品可供类型的权利。

说明书包括重要的安装、保养及清洁方面的内容，请把这些资料交给用户阅读。

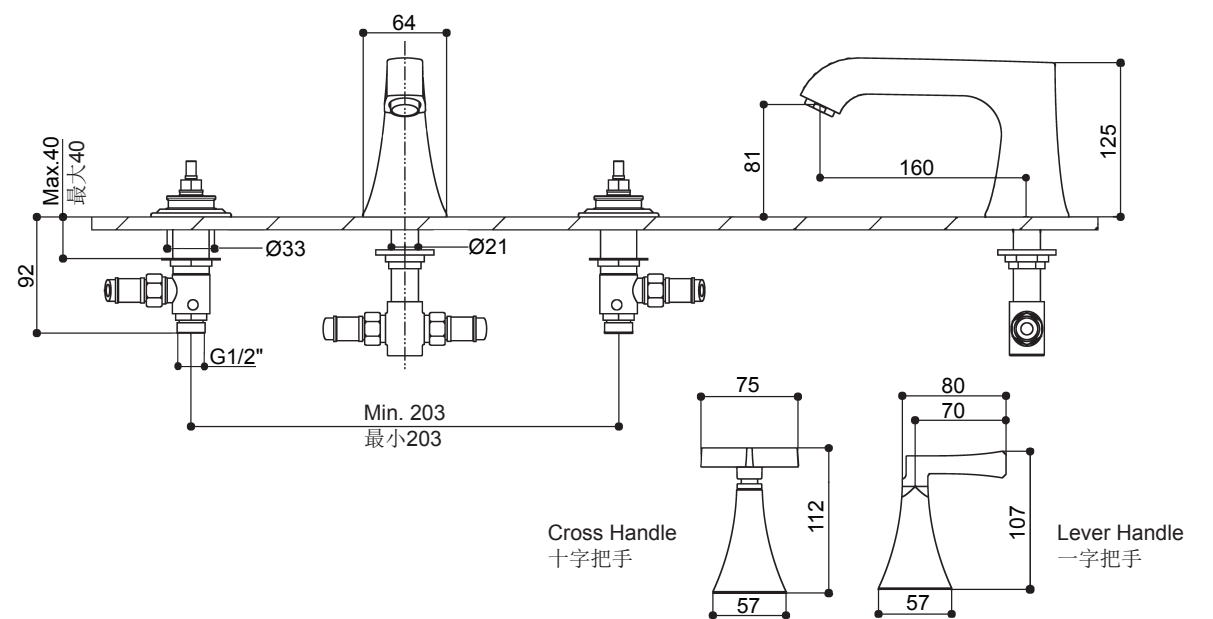
注意事项：

1. 一定要先彻底冲洗供水管以清除管道中的杂质。
2. 检查供水管有无损坏。如需要，进行替换。
3. 遵守当地管路安装条例。
4. 切断供水管路。尽可能在安装浴缸之前安装水龙头。

使用说明

逆时针旋转左把手为开，顺时针旋转右把手为开(一字把手)。逆时针旋转两把手为开，顺时针旋转两把手为关(十字把手)。

安装尺寸



BEFORE YOU BEGIN

All information is based on the latest product information available at the time of publication. Kohler Co. reserves the right to make changes in product characteristics, packaging, or availability at any time without notice.

Please leave these instructions for the consumer. They contain important information.

NOTES:

1. Flush the water supply pipes thoroughly to remove debris.
2. Inspect the supply tubing for damage. Replace as necessary.
3. Observe local plumbing codes.
4. Shut off the water supplies to the fitting. If possible, install this faucet before installing the tub.

HANDLE OPERATION

Left handle opens with one-quarter turn counter clockwise. Right handle opens with one-quarter turn clockwise(Lever handle). Both handles open with one-quarter turn counter clockwise and close with one-quarter turn clockwise(Cross handle).

ROUGH-IN DIMENSIONS

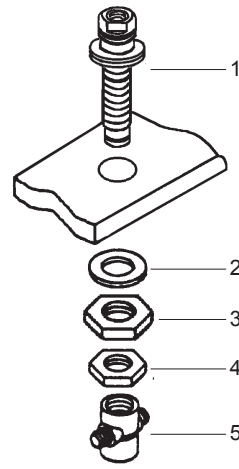
安装步骤

如何安装牙管

从牙管(1)上依次取下T型接头(5)、螺母(4、3)和垫片(2)。将牙管插入浴缸中孔。

安装垫片(2)和螺母(3、4)。上下同时用力拧紧螺母(3)，然后拧紧螺母(4)。

将T型接头旋到出水口牙管上，拧紧。



INSTALLATION

How To Install The Shank

Remove and retain the parts from the shank(1) according to the following order: supply tee(5), nut(4), nut(3) and washer(2). Fit the shank to the center hole of tub.

Install the washer(2), nut(3), nut(4), and wrench to tighten nut(3) then tighten nut(4).

Thread supply tee to the shank of the unit kit until hand-tight.

如何安装阀体

从阀体组件上依次拆下卡环(6)、齿圈(8)。将金属垫片(10)和螺母(11)留在阀体(9)上。

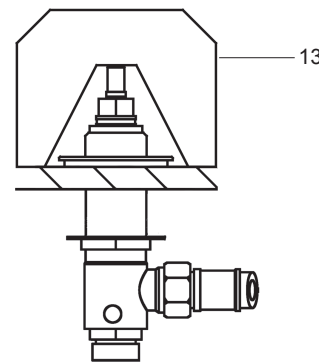
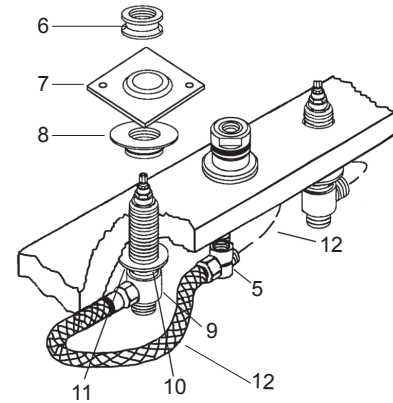
如图所示，将阀体(9)与T型接头(5)用软管(12)连接。

注意：软管(12)只能用于此处。

从台面或浴缸边缘的底部将阀体穿过安装孔(带有垫片和螺母)。

在每一个阀体上旋上齿圈(8)，用调节纸板(13)来调节阀体露在浴缸外面的高度，如图所示。旋上装饰盖(7)和卡环(6)。用扳手拧紧螺母(11)。

注意：将阀体定位，使得面向龙头时贴有蓝色标记的阀体位于右面。为了安装方便，可以适当旋松T型接头，但不要超过180度。安装必须保证软管水流顺畅。



How To Install The Side Bodies

Remove the parts from the side body according to the following order: the sleeve(6) and the collar(8). Leave the washer(10) and the nut(11) on the side body(9).

Connect the side bodies(9) and the center tee(5) with the hoses(12) as in the drawing.

Note: The hoses(12) should only be used here.

Insert the side bodies through the mounting holes from the bottom of the deck or the bath tub rim with the washer and the nut.

Thread the collar(8) onto each side body. Adjust the side body height with an adjustable cardboard(13). Thread the escutcheon(7) and the sleeve(6) onto each side body. Wrench to tighten nut(11).

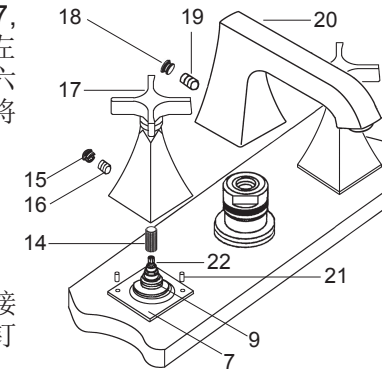
Note: Install the valve body with blue mark on the right when facing the front of the faucet. To ease installation, you may back off the supply tee up to 180 degrees. Ensure that there is no kinking of the hoses.

如何安装把手和出水口

把齿套(14)按到阀轴(22)上，将把手组件(17)装到阀体(9)上，贴紧装饰盖(7，**注意：**带红色垫片的把手组件装在左侧)。注意不要把销子(21)丢掉。用六角扳手锁紧把手背部螺钉(16)，然后将塞子(15)塞入螺钉孔。

将出水口(10)插入牙管，直至与台面接触。用六角扳手锁紧出水口背部螺钉(19)，然后将塞子(18)塞入螺钉孔。

把手安装完毕处于关闭状态的位置如下图所示：



How To Install The Handles And Hoses

Press the stem extension(14) onto the valve stem(22), install the handle kit(17) onto the side body(9) until it contacts the escutcheon(7, **Notes:** The handle kit with red washer should be installed on the left side of body). Don't lose the pins(21). Tighten the screw(16) by hex wrench provided, then insert the plug button(15) into the rear hole.

Insert the spout(20) to the shank until it contacts the deck. Tighten the crew(19) by hex wrench provided, then insert the plug button(18) into the rear hole.

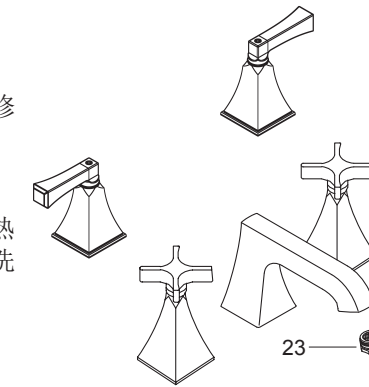
The following configuration shown is the correct position for the installed spout and handles when closed.

安装结果检查

检查并确保所有衔接处都已拧紧，确保把手在关的位置。

打开主要供水源和排水系统，检查并修理有漏水的接口。

将起泡器(23)取下。打开水龙头的冷热水，让水流出一分钟以清除杂质。冲洗起泡器，关闭阀，重新装回起泡器。



清洗说明

适用于所有加工处理过的表面：以中性肥皂水清洗镀层表面，再以干净的软布彻底擦干整个表面，许多清洁剂，比如氨水、去污粉及洁厕灵等，会对电镀表面造成伤害，切忌使用。

有磨损性的清洁用具或清洁剂也不可适用于科勒牌的水龙头及其配件上。

CLEANING INSTRUCTIONS

All Finishes: Clean the finish with mild soap and warm water. Wipe entire surface completely dry with clean soft cloth. Many cleaners may contain chemicals, such as ammonia, chlorine, toilet cleaner etc. which could adversely affect the finish and are not recommended for cleaning.

Do not use abrasive cleaners or solvents on Kohler faucets and fittings.