

BEFORE YOU BEGIN

- Please read these instructions carefully to familiarize yourself with the required tools, materials, and installation sequences. Follow the sections that pertain to your particular installation. This will help you avoid costly mistakes. In addition to proper installation, read all operating and safety instructions.
- All information in these instructions is based upon the latest product information available at the time of publication. Kohler China reserves the right to make changes in product characteristics, packaging, or availability at any time without notice.
- These instructions contain important care, cleaning, and warranty information-**please leave instructions for the consumer.**
- Before installation carefully inspect the new fixture for any signs of damage.

安装之前

- 请仔细阅读本指引，以便熟悉所需工具、物料及安装程序。请遵照适用的章节来安装本产品，以免安装失当导致不必要的损失。除了有关正确的安装方法之外，还务请详阅所有操作及安全指引。
- 本指引所载之一切资料，均以印刷时所有之最新产品情况为基础，科勒中国保留权利随时更改产品特性、包装或供应情况，恕不另行通知。
- 本指引也包含了有关保养、清洁及担保等重要资料-**请交予用户保存。**
- 安装之前，仔细检查产品是否有损伤。

ORDERING INFORMATION

This installation covers the following products in the LEIGHTON mirror shelf range:
LEIGHTON Mirror Shelf 15090T-NA

订购信息

此安装说明书适用于以下雷顿镜架系列家具的安装：
雷顿镜架 15090T-NA

PARTS

Parts supplied with your cabinet. (For cabinet body and door replacement, call customer service with model number.) Be sure to check the cardboard supports in the carton, glass parts are packed in them.

配件

浴柜附有零件(柜身及门的补换请致电客服部门并告知型号)，请仔细检查包装箱。

UNIT : mm
单位: 毫米

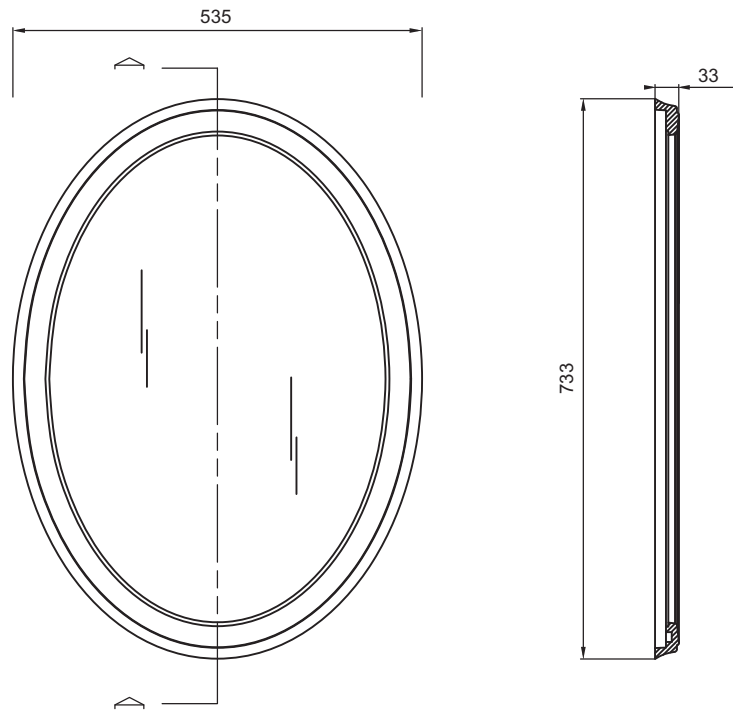


图1
Fig. 1

INSTALLATION

安装

1. Preparing the wall. Using 733mm as the height of the cabinet, locate the center of the cabinet on the wall. Use a level and a pencil, project lines as shown in Fig. 2.

(The recommended height from the floor to the cabinet center is 1524mm-1626mm.)

2. Lay wall plug into the wall at the marked place, screw the hanger and make sure the hanger top protrude the wall.
3. Hang the backplate of the mirror cabinet to the hanger top.
4. Clean up the finished wall.

1. 墙面准备。将 733mm 作为镜架的高度，将镜架的中央放置在墙面上。使用水平仪和铅笔如图2勾画线条。

(推荐的地板到柜体中心高度为1524mm-1626mm)

2. 在墙上标记位置打入挂墙胶塞，拧入挂钩，露出挂钩头。
3. 将镜架后面的背板挂在挂钩头上。
4. 清理完工墙面。

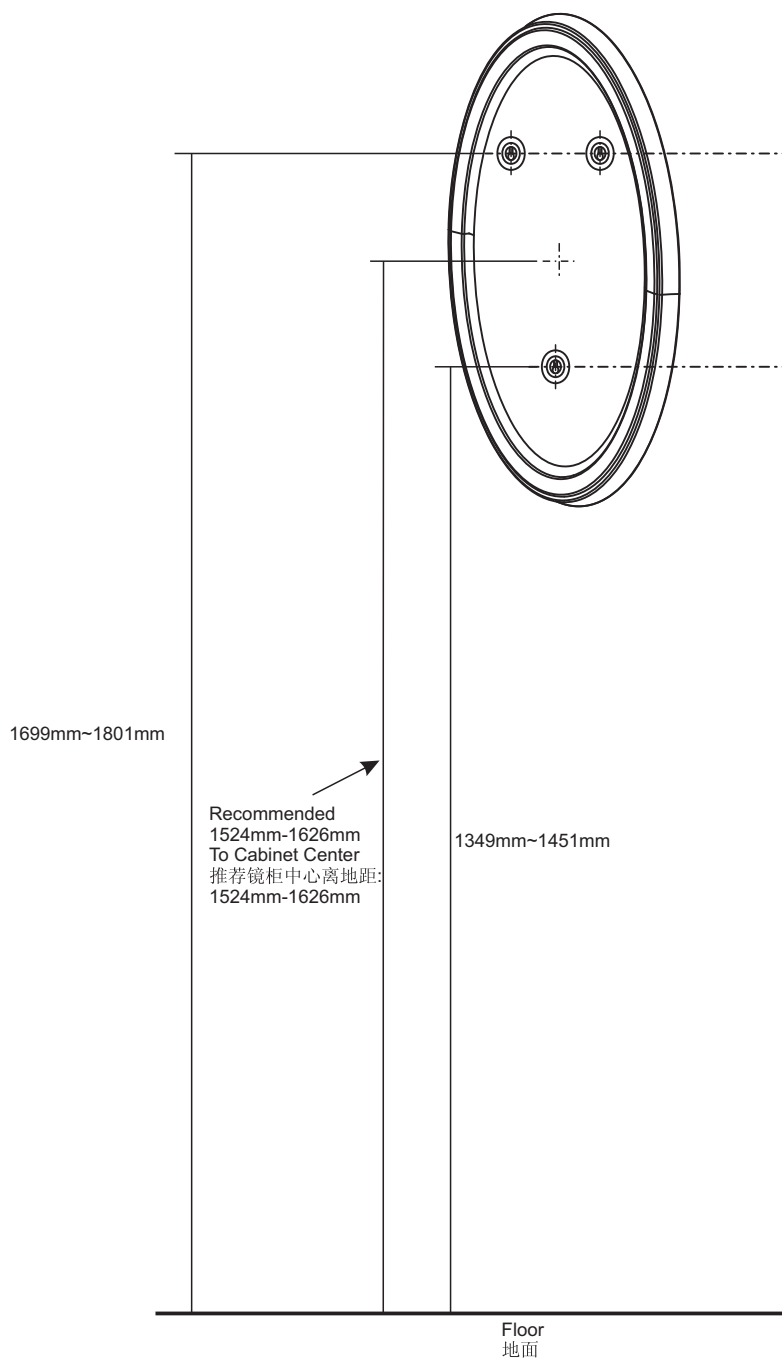


图2
Fig. 2

USER MAINTENANCE

日常维护



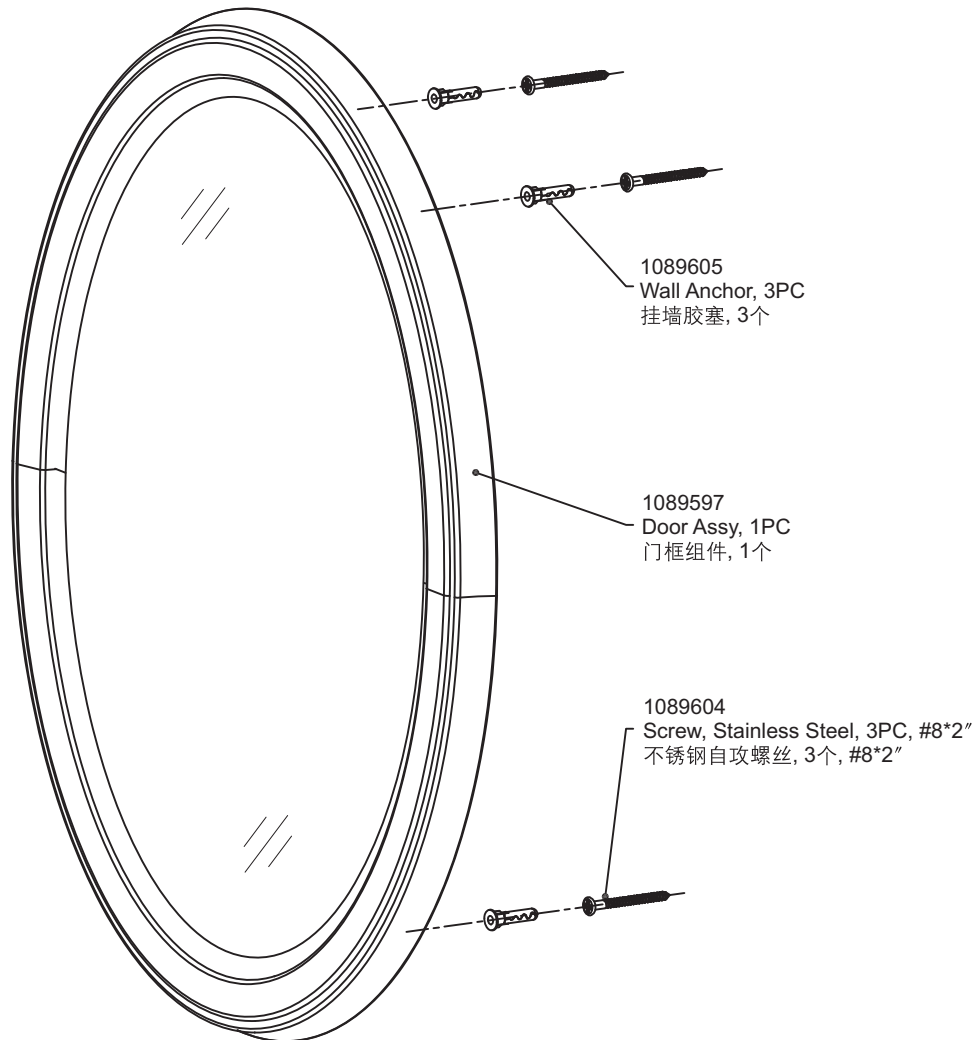
Warn! Risk of product damage.

1. Many cleansers contain abrasive and chemical substance which is not suitable for cleaning stainless steel, enamel, plating or plastic products. You may use mild cleansers or soaps to clean the surfaces. Wipe any splashes of cleaner solutions from the surface with clean soft cloth.
2. Maintain ventilation in the bathroom, and separate the dry area from the damp one if conditions permit. Try to open the door and windows of the bathroom and maintain good ventilation.
3. Kohler bathroom cabinet are dealt with strict procedures for damp-proof, whose good damp-proof function ensures good performance even in bathroom of huge humidity. Yet do not splash and pour water directly on the bathroom cabinet. Make sure that the bathroom is not over damp and wipe any splashes from surfaces immediately.
4. Maintenance of door board: Clean and wipe door board regularly, and wipe the condensation vapor with dry and soft cloth.
5. The cabinet door and interior are constructed of mirror and aluminum. Use only a damp cloth to clean. Spray the cloth, not the mirror when cleaning. Mirrors are damaged by the use of ammonia or vinegar based cleaners. Rubbing alcohol can be used for stubborn stains.
6. Use no abrasive cleansers on any part of the cabinet.
7. The white frame should be cleaned with a damp cloth only.
8. If any fixtures caused by abnormal reasons, Kohler China can supply paid replacement for service parts caused by abnormal reasons as shown in the next page in the limited duration of warranty.



警告! 小心产品受损。

1. 许多清洁剂都含有研磨剂及化学物质，不可用于清洁不锈钢、搪瓷、镀层或塑料制品。这些表面须使用温和的清洁剂或皂液进行清洁，将残余洗涤剂洗干净，然后用干净的软布擦干。
2. 卫生间请保持良好的通风状态，有条件的可以干、湿分离，平常尽量保持浴室空气畅通，养成开窗开门的习惯。
3. 科勒浴柜都经过严格的防潮处理，但防潮并不是防水，使用时不可随意任浴柜被水浇、溅。良好的防潮性能可以保证在高相对湿度时仍有良好使用性，所以请避免卫生间过于潮湿，遇有水迹要及时擦干。
4. 门板的保养：经常用软布定期清洁、擦拭，洗浴后的冷凝水蒸气应用干布擦净，保持门板的干爽。
5. 浴室柜是由玻璃镜和PU制造出来的。只能用潮布清洁。清洁时请将水喷在布上，而不是玻璃镜上，含氨或酸的清洁剂会损坏玻璃镜，一些顽渍可用酒精擦除。
6. 千万不要磨沙型清洁剂擦拭浴室柜的任何地方。
7. 白色框架的浴室柜只可用潮布擦拭清洁。
8. 科勒公司确保在担保期内，可以提供因非正常原因造成的如下页中零件的有偿更换。



* 订购时请说明颜色编号
* Color code must be specified when ordering.