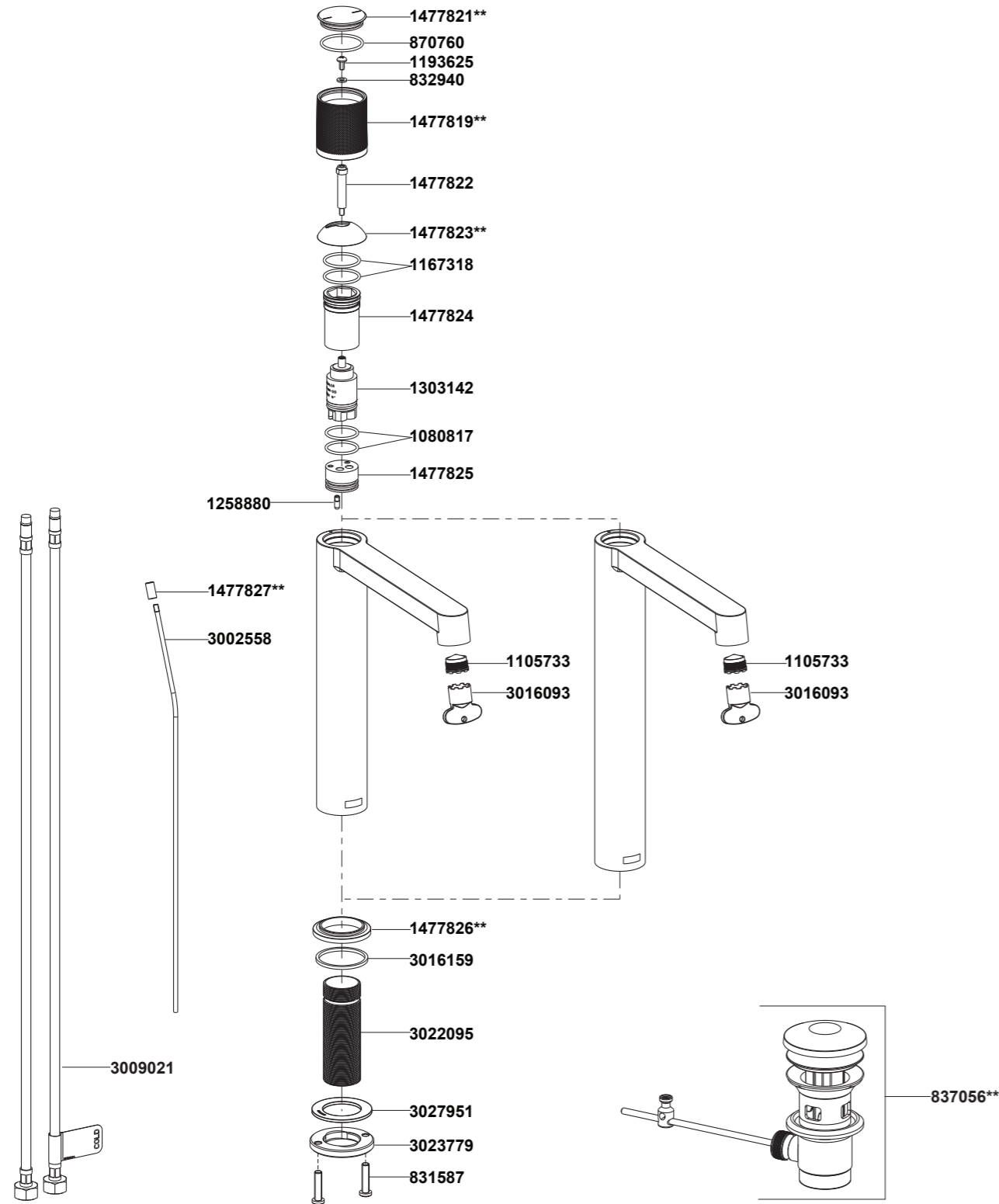


EX28094K-8 Tall Single Control Lavatory Faucet - Oyl
EX28095K-8 Super Tall Single Control Lavatory Faucet - Oyl



**Color code must be specified when ordering.

EX28094K-8 Tall Single Control Lavatory Faucet - Oyl
EX28095K-8 Super Tall Single Control Lavatory Faucet - Oyl

BEFORE YOU BEGIN

All information is based on the latest product information available at the time of publication. Kohler Co. reserves the right to make changes in product characteristics, packaging, or availability at any time without notice.

Please leave these instructions for the consumer. They contain important information.

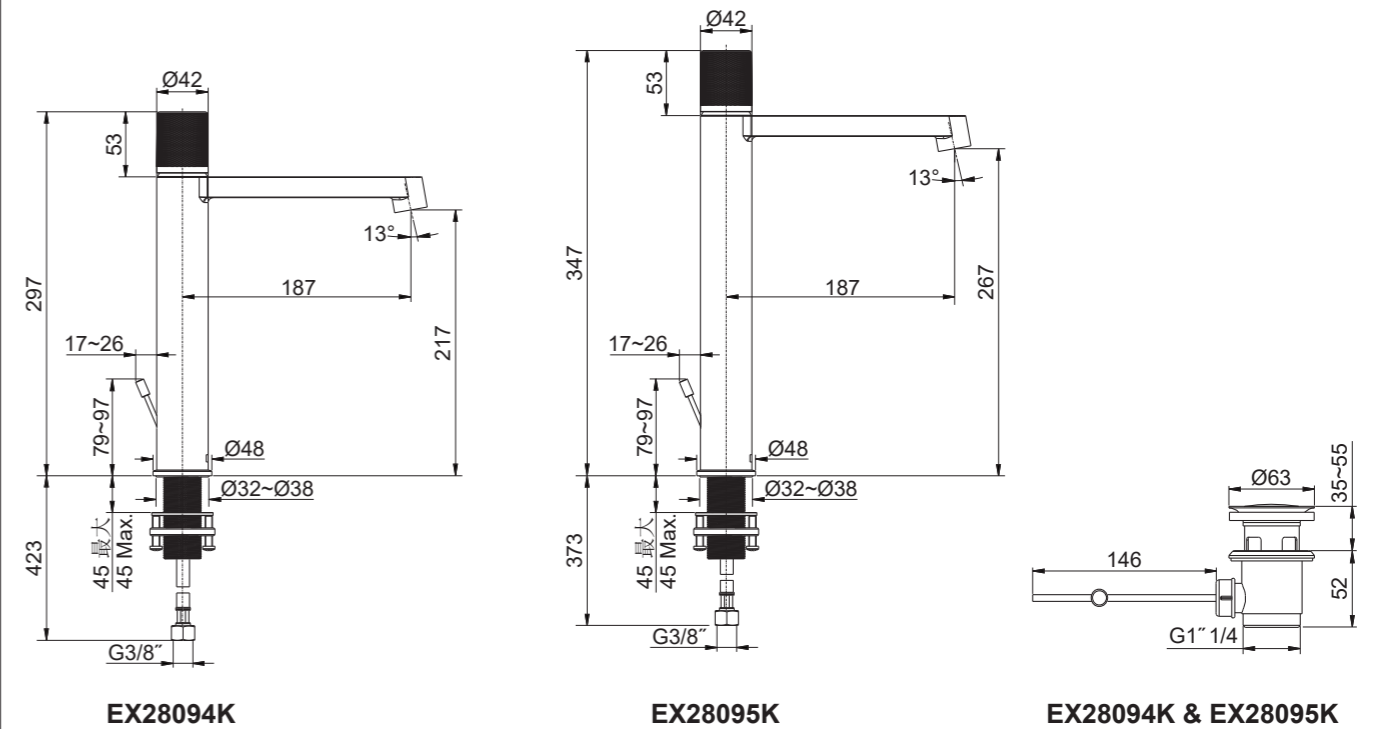
NOTES:

1. Flush the water supply pipes thoroughly to remove debris.
2. If possible, install this faucet before installing the lavatory.
3. Inspect the supply tubing for damage and leakage. Replace and maintain as necessary.
4. Observe local plumbing codes.
5. Shut off the water supplies to the fitting.

HANDLE OPERATION

When facing front of the faucet, gently push the handle forward to open the faucet, the direction of the red line is for hot water and the blue line is for cold water.

ROUGH-IN DIMENSIONS

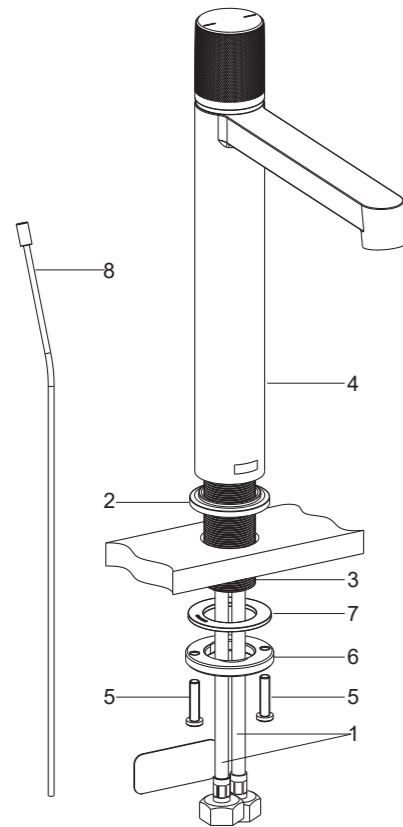


EX28094K

EX28095K

EX28094K & EX28095K

INSTALLATION



How to Install the Faucet

If need to take off the hoses(1) to repair, reinstall and tighten them by hand.

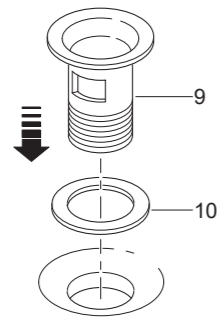
Slide the escutcheon(2) over the hoses and shank(3) until it is put into the faucet (4) bottom.

Insert the faucet assembly into the hole of the lavatory until the escutcheon contacts the deck.

Partially thread two screws(5) into the threaded ring(6). From underside of the lavatory, place the washer(7) and threaded ring with two screws over the shank. Position the faucet. Tighten the threaded ring onto the shank until the washer contacts the underside of the lavatory. Tighten two screws to secure the faucet.

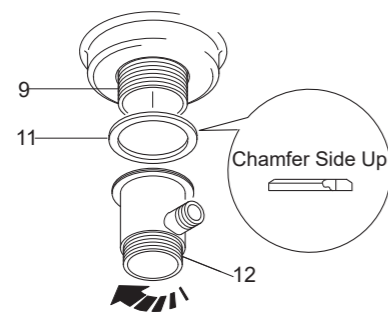
Insert the lift rod(8) to the hole at the rear of the faucet.

Attach the hoses to water supplies. The hose with "COLD" label should be connected to cold water.

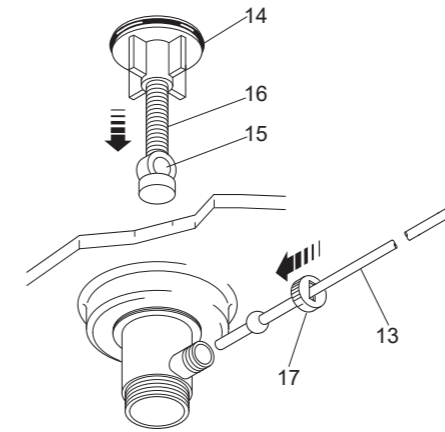


How to Install the Drain

Install the waste(9) with foam ring(10) into the drain hole.



Install the seal(11), secure and tighten the drain body(12) to the waste by hand.



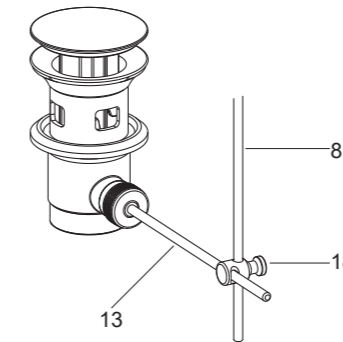
Adjust the drain body to enable the ball lever(13) and lift rod(8) to engage.

Insert the waste stopper kit(14) into the waste.

Insert the ball lever into the drain body and through the stopper hole(15).

Make sure that the ball lever engages with the waste stopper kit and adjust the waste stopper screw(16) if required.

Tighten the ball lever retaining nut(17) by hand.

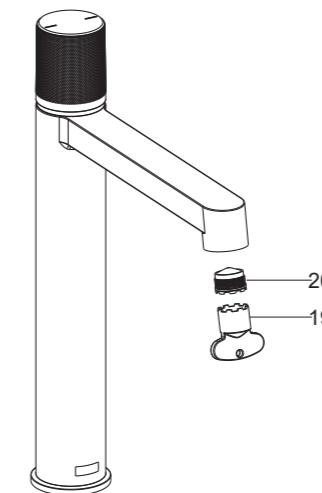


How to Install the Lift Rod Kit

Attach the connector(18) onto the ball lever(13) and lift rod(8). Tighten the connector retaining screw with a suitable screwdriver.

Connect the drain body to the drain outlet.

INSTALLATION CHECKOUT



Ensure all connections are tight. Ensure the handle is in the off position.

Turn on the drain and main water supply, and check for leaks. Repair as needed.

Remove the aerator(20) with tool(19). Turn on the faucet. Run hot and cold water through the spout for about one minute to remove any debris. Check for leaks. Remove any debris from the aerator. Shut off the faucet. Reinstall the aerator.

CLEANING INSTRUCTIONS

All Finishes: Clean the finish with mild soap and warm water. Wipe entire surface completely dry with clean soft cloth. Many cleaners may contain chemicals, such as ammonia, chlorine, toilet cleaner etc. which could adversely affect the finish and are not recommended for cleaning.

Do not use abrasive cleaners or solvents on Kohler faucets and fittings.