

**8839T 落地式浴缸花洒龙头**

**安装之前**

**BEFORE YOU BEGIN**

所有的资料是按最新出版的产品资料编写而成。科勒公司保留任何时候不经通知即可改变产品特性、包装或产品可供类型的权利。

All information is based on the latest product information available at the time of publication. Kohler Co. reserves the right to make changes in product characteristics, packaging, or availability at any time without notice.

说明书包括重要的安装、保养及清洁方面的内容，请把这些资料交给用户阅读。

Please leave these instructions for the consumer. They contain important information.

**注意事项:**

**NOTES:**

1. 一定要先彻底冲洗供水管以清除管道中的杂质。
2. 切换器正常工作的最小压力为0.05MPa(0.5bar)。
3. 该龙头须与落地式冷热供水管配合使用。
4. 花洒最高工作压力: 0.5MPa(5bar)。水压超过0.5MPa(5bar)须安装减压阀。花洒最高工作温度及环境温度: 60°C。请特别注意花洒同花洒连接的臂管须远离浴霸, 否则可能损坏花洒及其密封件, 甚至对使用者造成伤害。

1. Flush the water supply pipes thoroughly to remove debris.
2. The minimum inlet water pressure for the diverter is 0.05MPa(0.5bar).
3. This faucet must be intalled in conjunction with floor-mount hot and cold supply pipes.
4. The highest working pressure for handspray is 0.5MPa(5bar). If it exceeds 0.5MPa(5bar), a pressure reducer is needed. The highest water and environment temperature is 60°C. Please keep handspray, showerhead and the shower arm away from heater, or it may become damaged and cause injury to the user.

**使用说明**

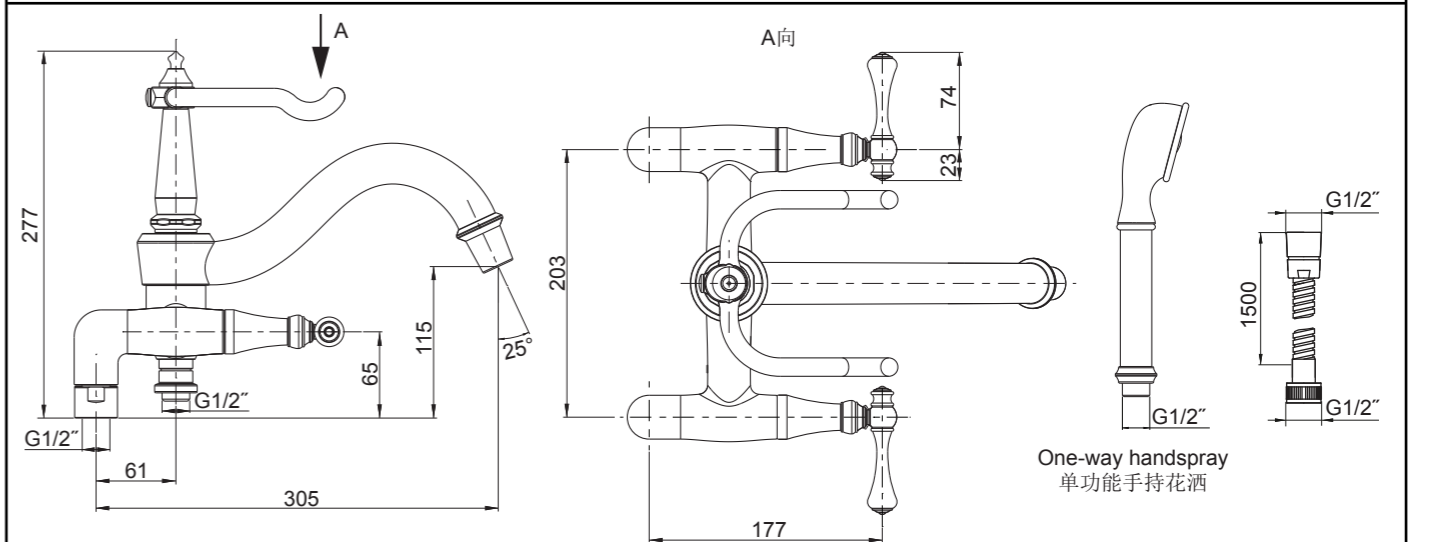
**HANDLE OPERATION**

逆时针旋转左把手为开, 顺时针旋转右把手为开。

Left handle opens with one-quarter turn counter-clockwise. Right handle opens with one-quarter turn clockwise.

**安装尺寸**

**ROUGH-IN DIMENSIONS**

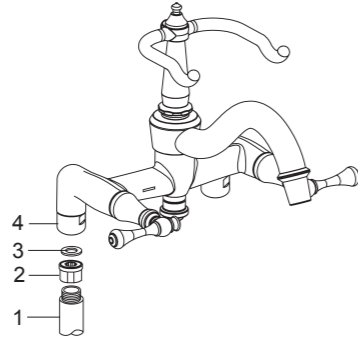


## 安装说明

### 如何安装水龙头

为使安装顺利，按图预装落地式G1/2"外螺纹冷热供水管(1)。

在装好的冷热供水管(1)的螺纹涂上螺纹密封膏或缠绕密封胶带，将接头(2)装入供水管，用垫片(3)连接螺母(4)与接头。



## INSTALLATION

### How to Install the Faucet

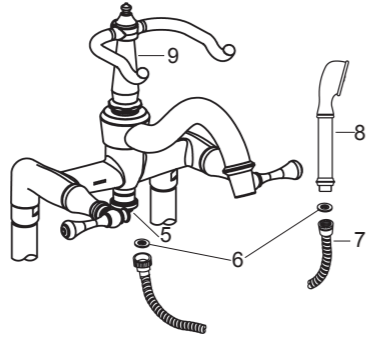
To perform installation, install G1/2" floor mount hot and cold supply pipes (1) as figure shown.

Use appropriate thread sealants or tape on the thread of hot and cold supply pipes(1). Thread the connectors(2) onto supply pipes. Connect nuts(4) to the connectors with washers(3).

### 如何安装花洒

取下接头保护套。用垫片(6)连接软管(7)与出水口(5)、软管与花洒(8)。

将花洒放在托架(9)上。



### How to Install the Handspray

Remove the guard on the outlet connector. Connect hose(7) to the faucet outlet(5), hose to the handspray (8) with washer(6).

Put the handspray on cradle(9).

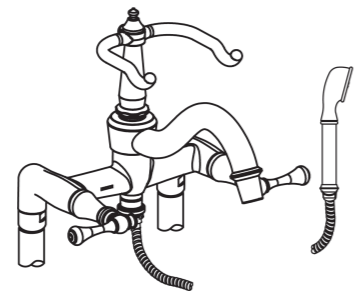
## 安装结果检查

检查并确保所有的衔接处都已拧紧。

确保手柄在关闭位置。

打开排水系统和主要供水源，检查并修理有漏水的接口。

取下花洒。打开冷热水，让水流出约一分钟以清除杂质。检查渗漏。关闭水龙头，并装回花洒。



## INSTALLATION CHECKOUT

Ensure that all coupling nuts are tight.

Ensure that the handles are in the off position.

Turn on the main water supply, and check for leaks. Repair as needed.

Remove the handspray. Run hot and cold water through the faucet for about one minute to remove any debris. Check for leaks. Shut the faucet off, and reinstall the handspray.

## 清理说明

适用于所有加工处理过的表面：以中性肥皂水清洗镀层表面，再以干净的软布彻底擦干整个表面，许多清洁剂，比如氨水、去污粉及洁厕灵等，会对电镀表面造成伤害，切忌使用。

有磨损性的清洁用具或清洁剂也不可适用于科勒牌的水龙头及其配件上。

## CLEANING INSTRUCTIONS

All Finishes: Clean the finish with mild soap and warm water. Wipe entire surface completely dry with clean soft cloth. Many cleaners may contain chemicals, such as ammonia, chlorine, toilet cleaner etc. which could adversely affect the finish and are not recommended for cleaning.

Do not use abrasive cleaners or solvents on Kohler faucets and fittings.

# KOHLER®

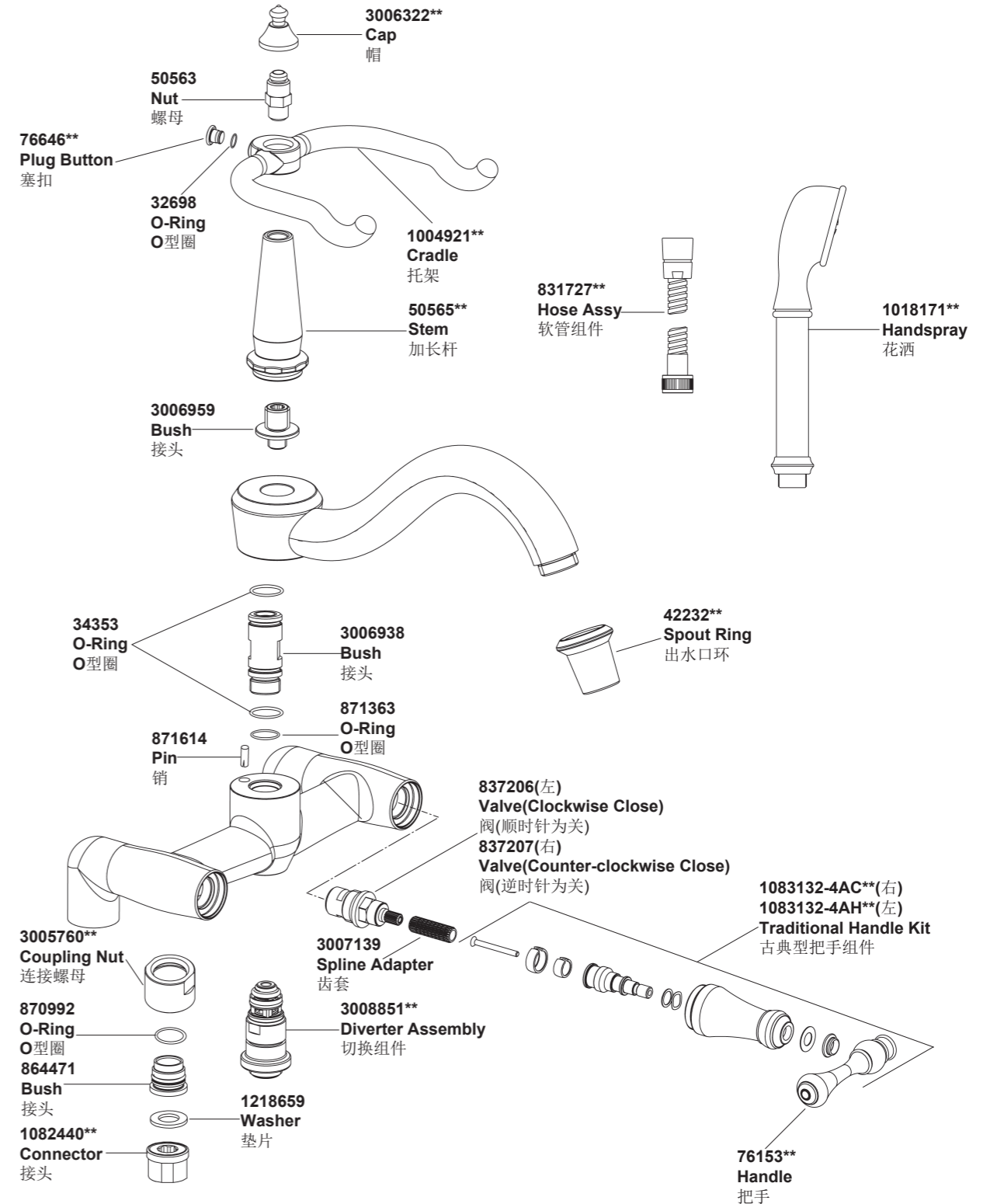
## SERVICE PARTS

### 零件图

丽依华  
REVIVAL

## Floor-Mount Bath & Shower Faucet

### 8839T 落地式浴缸花洒龙头



\*\*订购时请说明颜色编号

\*\*Color code must be specified when ordering