

15359T-B4 Floor-Mount Bath & Shower Faucet

BEFORE YOU BEGIN

All information is based on the latest product information available at the time of publication. Kohler Co. reserves the right to make changes in product characteristics, packaging, or availability at any time without notice.

Please leave these instructions for the consumer. They contain important information.

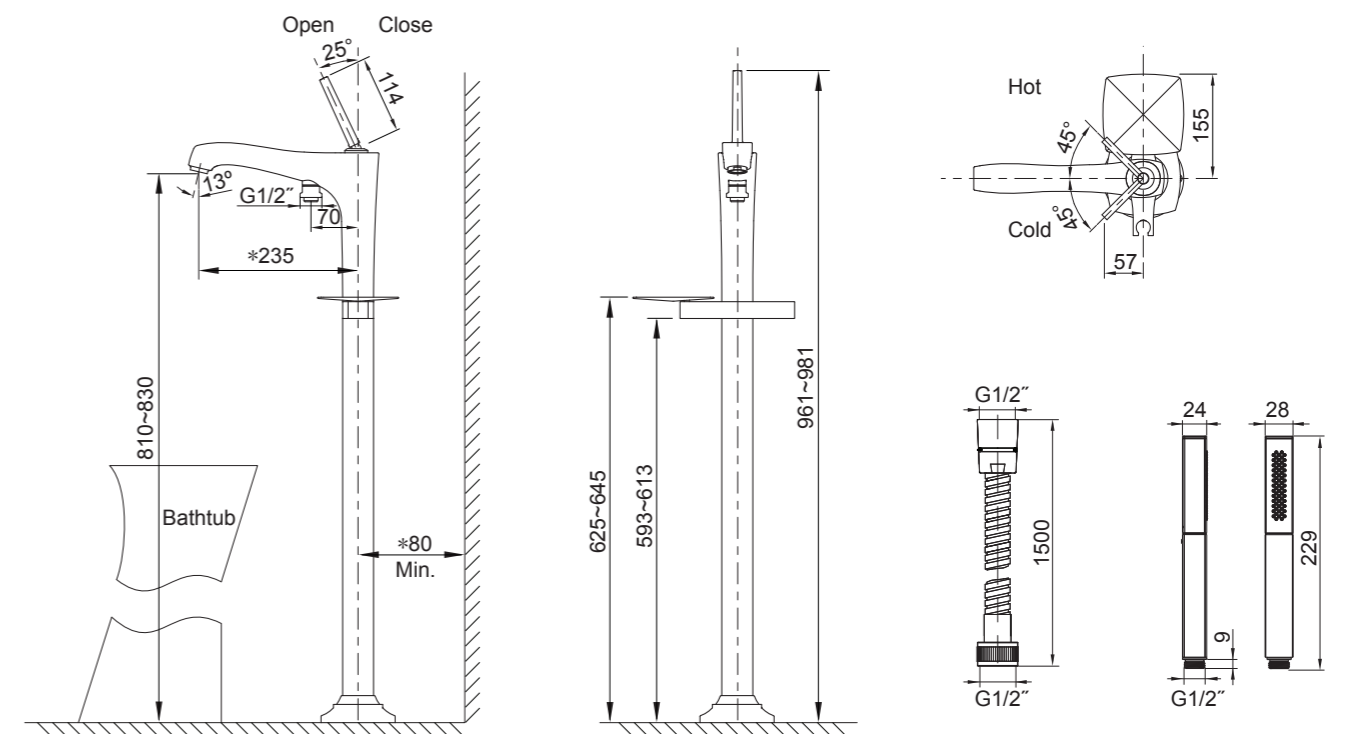
NOTES:

1. Flush the water supply pipes thoroughly to remove debris.
2. Inspect the supply tubing for damage. Replace as necessary.
3. Observe local plumbing codes.
4. The minimum inlet water pressure for the diverter is 0.05MPa(0.5bar).
5. Check for leaks before covering the pipes, repairs as needed.
6. The highest working pressure for handspray is 0.5MPa(5bar). If it exceeds 0.5MPa(5bar), a pressure reducer is needed. The highest water and environment temperature is 60°C. Please keep handspray, shower head and the shower arm away from heater, or it may become damaged and cause injury to the user.
7. Please purchase the matched mounting base 97905T when install the faucet.

HANDLE OPERATION

Turn the handle gently. Turn for hot and cold water as shown below. Water flows out from spout when faucet diverter is in the normal position and it's diverted to handspray when the diverter is pulled down. Turn the handspray handle for difference water flow.

ROUGH-IN DIMENSIONS



* Please purchase the suitable bathtub according to the dimension.

INSTALLATION

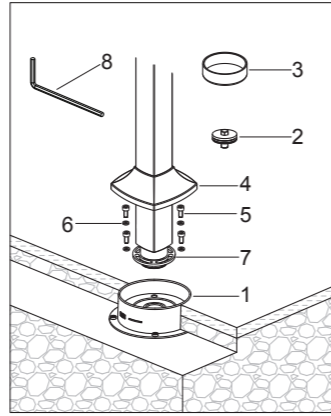
How to Install the Faucet

Shut off water supply. Cut away the extending part of the base protector(1) in accordance with the tile surface. Remove plug(2) from base. Remove protector(3) from the faucet.

Slide up escutcheon kit(4). Install the faucet. **NOTE:** Keep the faucet vertical to base, to avoid damaging the o-ring on the bottom.

Keep the spout pointing to tub. Fix the faucet to the base with screws(5) and washers(6) through flange(7). Tighten the screws with hex wrench(8).

Slide down the escutcheon kit, make sure it against the finished wall.

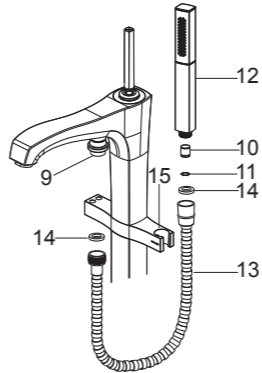


How to Install the Handspray

Remove the protector from diverter kit(9).

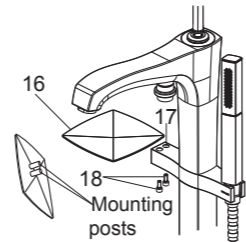
If needed, install the restrictor(10) and spring washer(11) into the inlet of the handspray(12) according to installation instruction. Connect hose(13) to diverter kit and handspray with washers(14). Tighten all the connections.

Hang the handspray on the bracket(15) of the faucet.



How to Install the Soap Dish

Put the mounting posts of soap dish(16) into the mounting holes on the bracket(17), install soap dish. Secure it by screws(18) from underside.

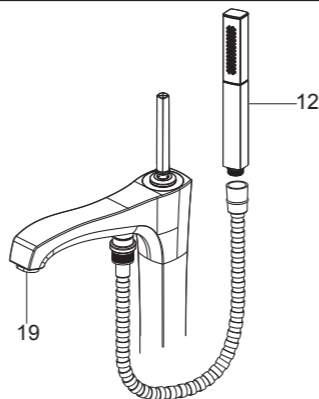


INSTALLATION CHECKOUT

Ensure that all coupling nuts are tight. Ensure that the handle is in the off position.

Turn on the main water supply, and check for leaks. Repair as needed.

Remove the handspray(12) and aerator(19). Turn on faucet handle. Run hot and cold water through spout for about one minute to remove any debris. Check for leaks at this time. Remove any debris. Shut off the faucet. Reinstall the handspray and aerator.



CLEANING INSTRUCTIONS

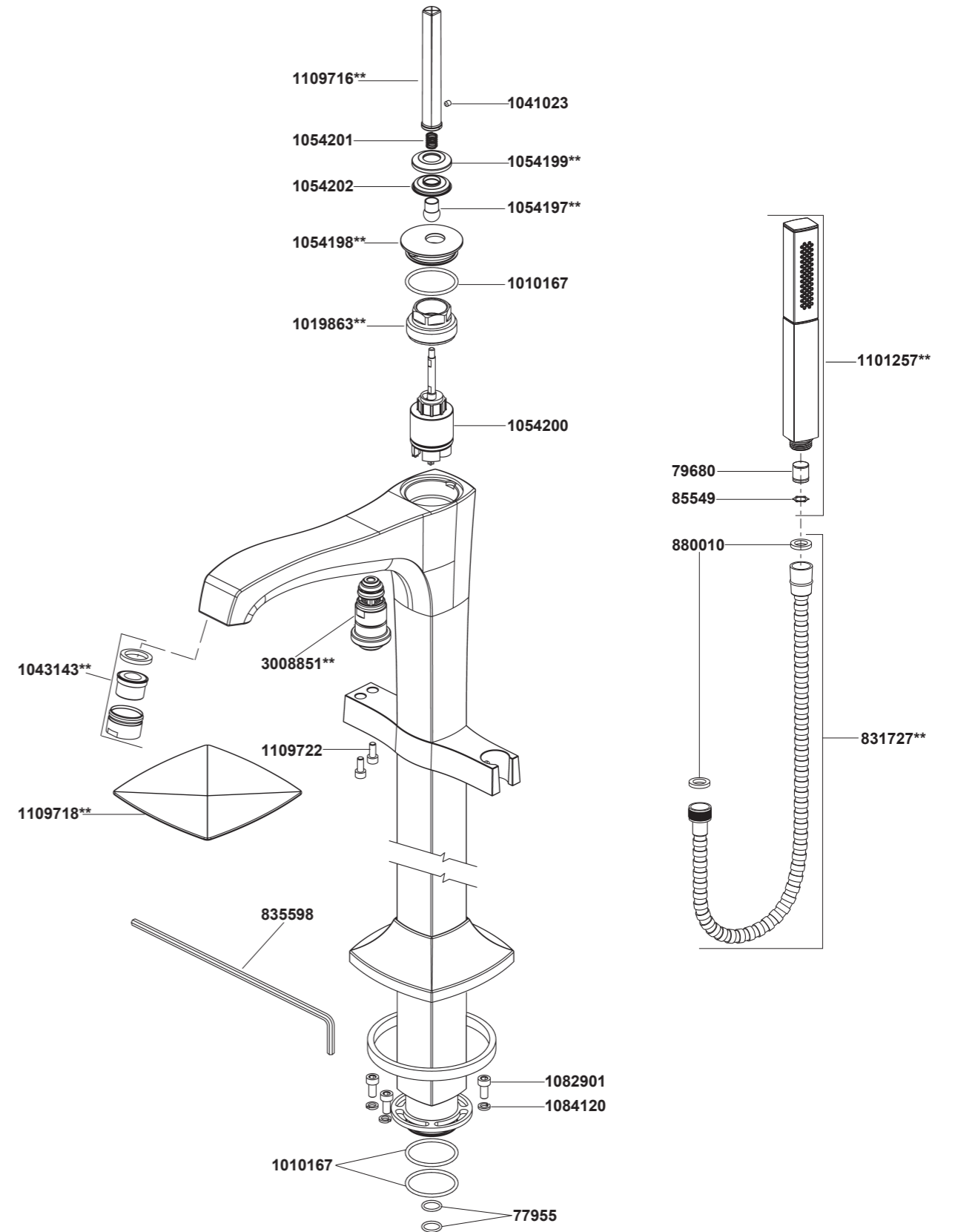
All Finishes: Clean the finish with mild soap and warm water. Wipe entire surface completely dry with clean soft cloth. Many cleaners may contain chemicals, such as ammonia, chlorine, toilet cleaner etc, which could adversely affect the finish and are not recommended for cleaning.

Do not use abrasive cleaners or solvents on Kohler faucets and fittings.

KOHLER®
SERVICE PARTS

MARGAUX

15359T-B4 Floor-Mount Bath & Shower Faucet



**Color code must be specified when ordering