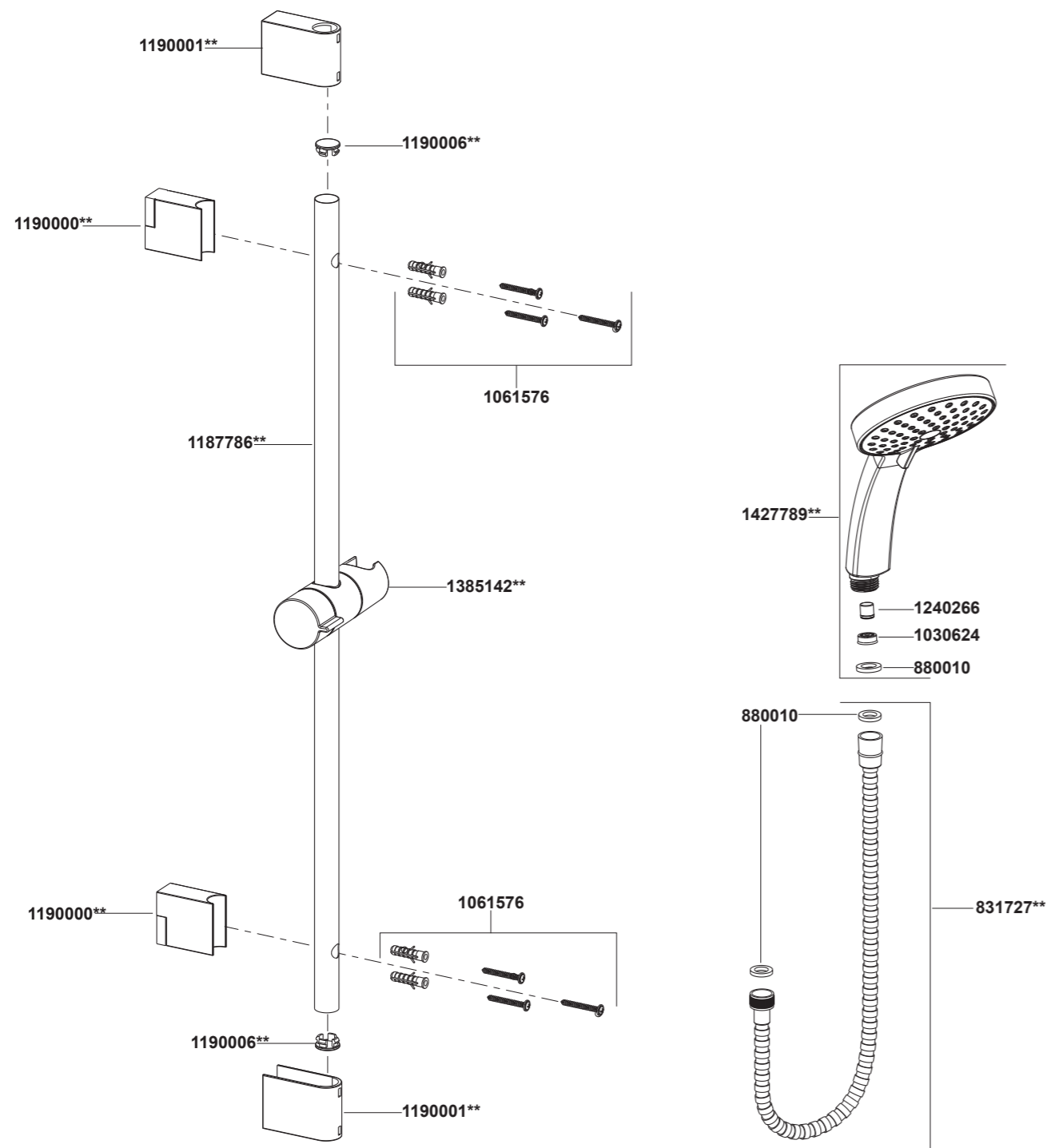


27794T 手持花洒组合 (含滑杆)



**订购时请说明颜色编号
**Color code must be specified when ordering

27794T 手持花洒组合 (含滑杆)

安装之前

所有的资料是按最新出版的产品资料编写而成。科勒公司保留任何时候不经通知即可改变产品特性、包装或产品可供类型的权利。

说明书包括重要的安装、保养及清洁方面的内容，请把这些资料交给用户阅读。

注意事项:

1. 一定要先彻底冲洗供水管以清除管道中的杂质。
2. 花洒最高工作压力: 0.5MPa(5bar)。水压超过0.5MPa(5bar)须安装减压阀。花洒最高工作温度及环境温度: 60°C。请特别注意花洒同花洒连接的臂管须远离浴霸, 否则可能损坏花洒及其密封件, 甚至对使用者造成伤害。

BEFORE YOU BEGIN

All information is based on the latest product information available at the time of publication. Kohler Co. reserves the right to make changes in product characteristics, packaging, or availability at any time without notice.

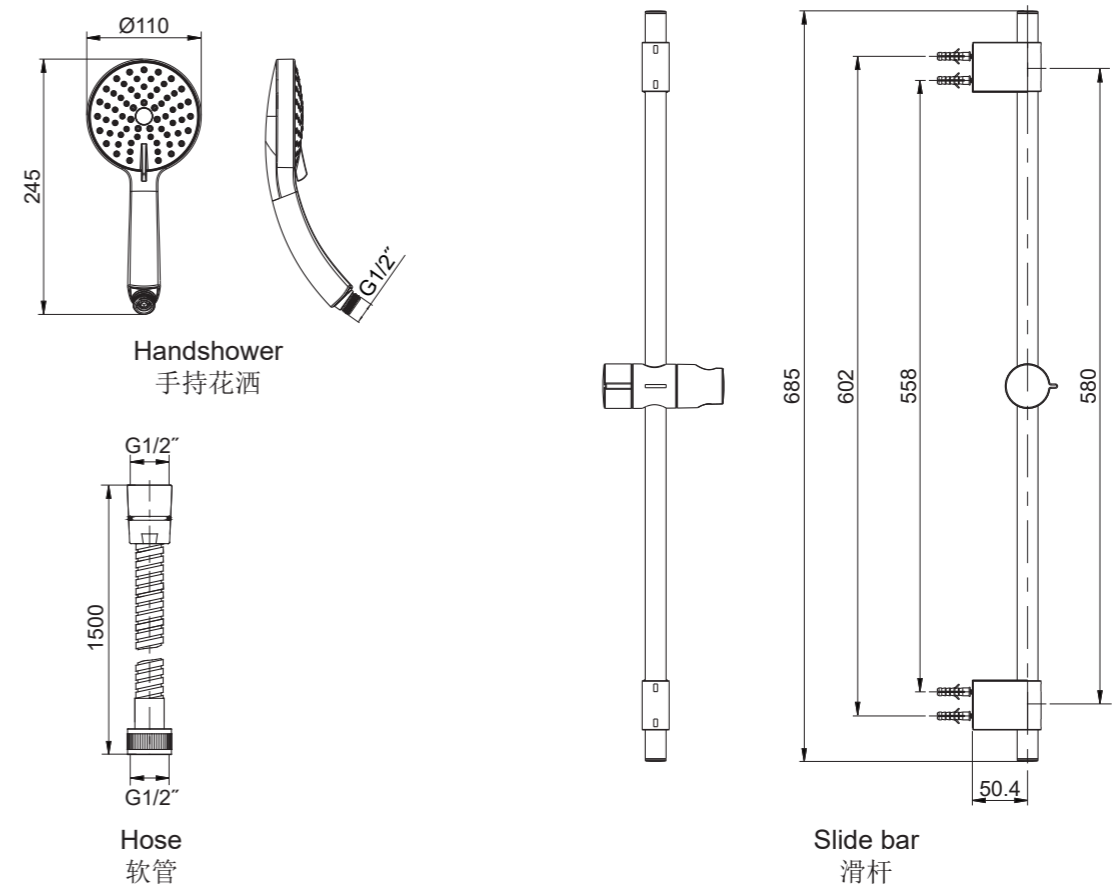
Please leave these instructions for the consumer. They contain important information.

NOTES:

1. Flush the water supply pipes thoroughly to remove debris.
2. The highest working pressure for handshower is 0.5MPa(5bar). If it exceeds 0.5MPa(5bar), a pressure reducer is needed. The highest water and environment temperature is 60°C. Please keep the handshower away from heater, or it may become damaged and cause injury to the user.

安装尺寸

ROUGH-IN DIMENSIONS



安装步骤

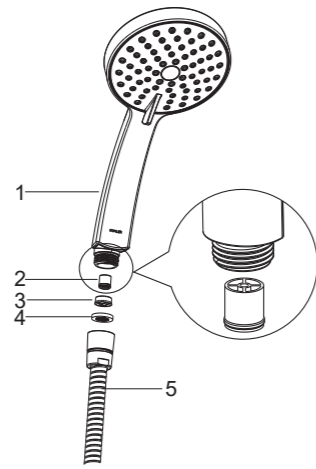
如何安装手持花洒和软管

安装手持花洒(1)之前,先打开水源约一分钟冲洗掉杂质。

将单向阀(2)按图示方向装入手持花洒
注意:单向阀带O型圈一端必须朝下(如图示方向)。

根据需要,将限流器(3)放入到花洒进水端。**注意:**如水压太低,则不必安装限流器。

将滤网垫片(4)放入花洒软管(5)接头内,连接手持花洒与软管。**注意:**不要过份拧紧。软管另一端连接水源。



INSTALLATION

How to Install the Handshower and Hose

Before installing the handshower(1), flush both water supplies for about one minute to remove any debris.

Put the check valve(2) into the handshower. **Note:** Keep the O-ring of the check valve downward.

Install the regulator(3) into the handshower if needed. **Note:** If working pressure is too low, the regulator is not needed.

Put the screen washer(4) into shower hose(5). Connect the handshower to the shower hose. **Note:** Don't over tighten. Connect another end of shower hose to the water supply.

如何安装滑杆

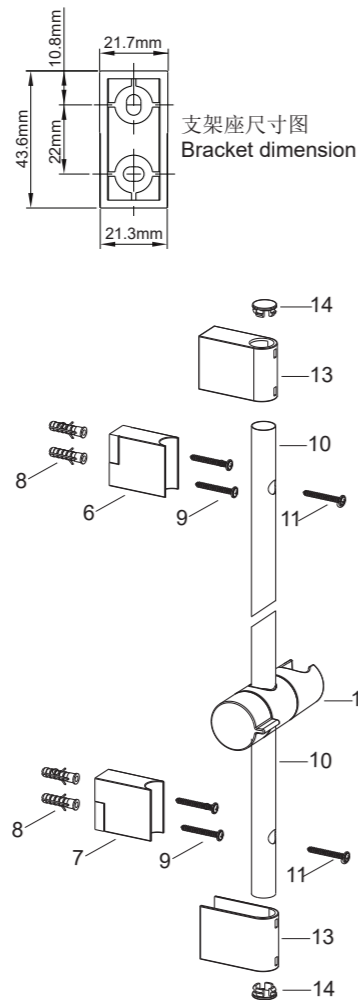
在墙面上选择一个合适的位置,用于安装滑动花洒支架。避开墙面内的电线和管道。

根据支架座(6,7)尺寸图,在墙面适当的高度打两个孔,将胀塞(8)分别塞入孔中。用螺钉(9)固定上支架座(6)于墙上。

试装支杆(10)、螺钉(11)和下支架座(7),用笔标记下支架座的位置并找出两个孔的位置,钻两个孔,塞入胀塞(8),用螺钉(9)固定下支架座于墙上。

将花洒挂架(12)穿过支杆(10),并且调节花洒挂架转钮,使其位置合适。用螺钉(11)将支架组件固定在支架座上。

分别将支架座盖(13)通过支杆装在支架座上,再扣上支杆盖(14)。



How to Install the Slide bar

Decide on a suitable position for the slide bar avoiding buried cables and pipes in the wall.

Drill two holes at the proper height in the wall as the bracket(6,7) dimensions. Put the anchors(8) into the holes. Install the bracket(6) with the screws(9) in the wall.

Rehearse the slide bar(10), screws(11) and bracket(7). Mark the outline of the bracket with a pencil on the wall, and find the position of the holes. Drill two holes and put the anchors(8) into the holes. Install the bracket(7) with the screws(9) in the wall.

Slide the handshower holder(12) onto the bar(10). Adjust the holder to the proper position. Tighten the slide bar kit with the screws(11).

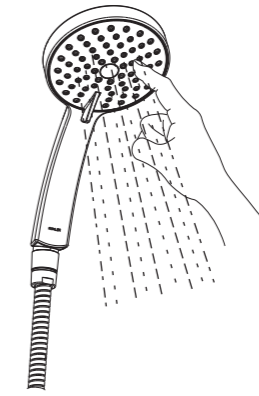
Slide the bracket covers(6) onto the slide bar, and install the covers(7).

维护与保养

如何维护保养手持花洒

喷孔杂质或结垢会导致水流变形,流量变小。打开水源,用力按压或摩擦橡胶喷孔,去除杂质或水垢。

取下软管接头内的滤网垫片,去除杂质。



CARE AND MAINTENANCE

How to Maintain the Handshower

Any debris or mineral build-up may cause the flow stream to become distorted or reduce the flow rate. To remove debris or mineral build-up, run water through the handshower, firmly press or rub your finger back and forth across the rubber nozzles.

Remove and clean the screen washer.

清洗说明

适用于所有加工处理过的表面:以中性肥皂水清洗镀层表面,再以干净的软布彻底擦干整个表面,许多清洁剂,比如氨水、去污粉及洁厕灵等,会对电镀表面造成伤害,切忌使用。

有磨损性的清洁用具或清洁剂也不可适用于科勒牌的水龙头及其配件上。

CLEANING INSTRUCTIONS

All Finishes: Clean the finish with mild soap and warm water. Wipe entire surface completely dry with clean soft cloth. Many cleaners may contain chemicals, such as ammonia, chlorine, toilet cleaner etc. which could adversely affect the finish and are not recommended for cleaning.

Do not use abrasive cleaners or solvents on Kohler faucets and fittings.