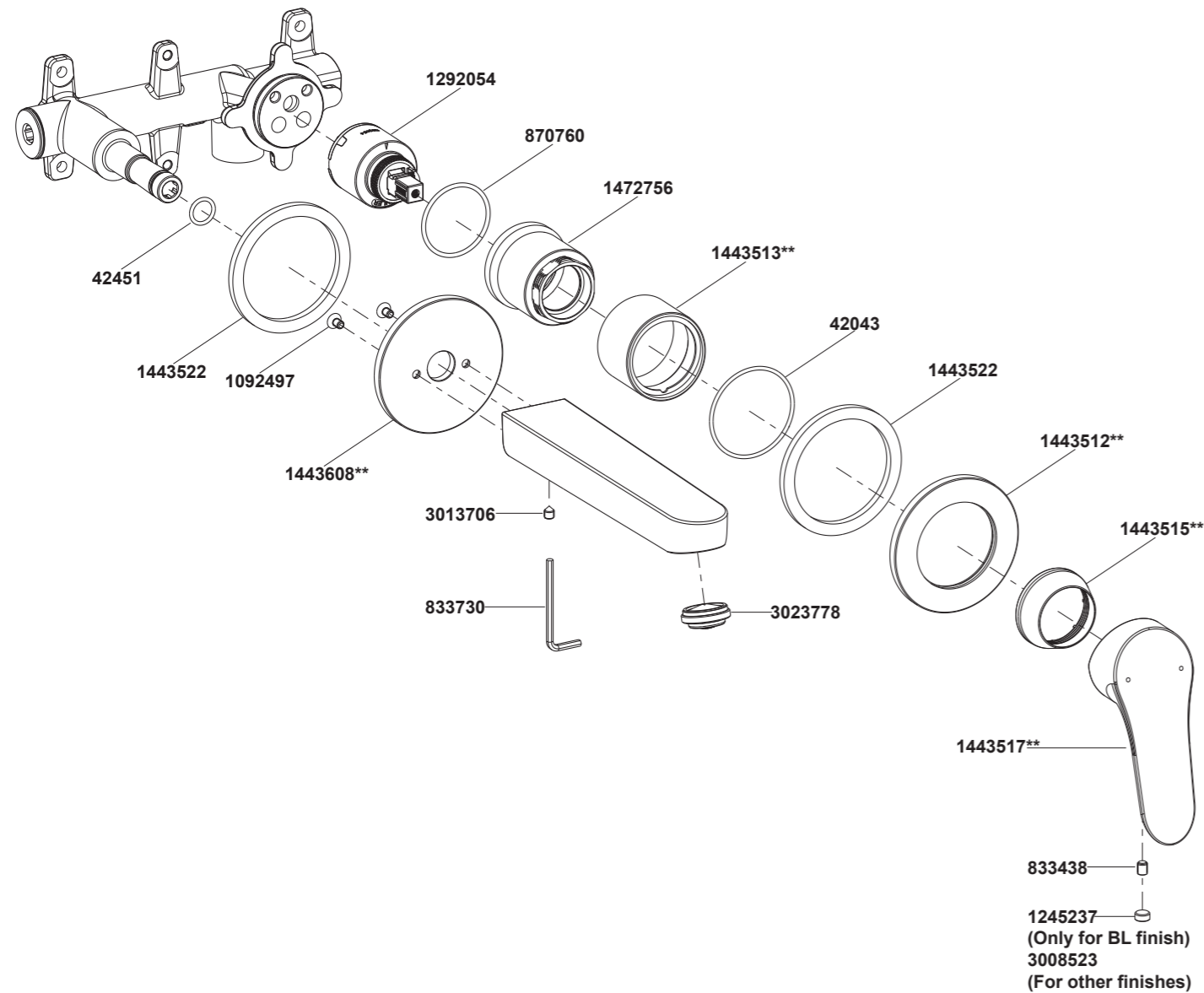


33066T-4ND Wall Mount Basin Set



**Color code must be specified when ordering.

33066T-4ND Wall Mount Basin Set

BEFORE YOU BEGIN

All information is based on the latest product information available at the time of publication. Kohler Co. reserves the right to make changes in product characteristics, packaging, or availability at any time without notice.

Please leave these instructions for the consumer. They contain important information.

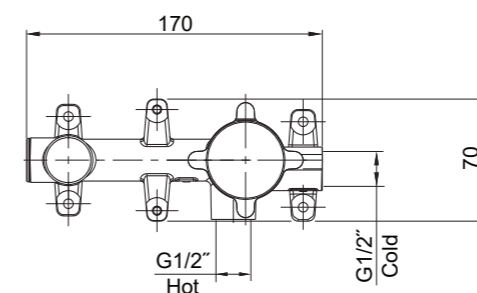
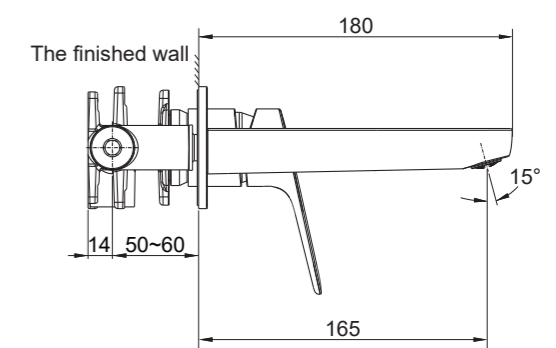
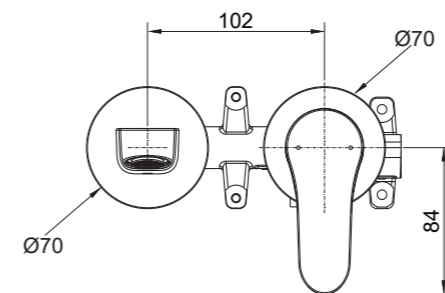
NOTES:

1. Flush the water supply pipes thoroughly to remove debris.
2. An inline water filter must be used with this product.
3. Inspect the supply tubing for damage. Replace as necessary.
4. Observe local plumbing codes.
5. Check for leaks before covering the pipes, repair as needed.
6. Please ensure only apply water pressure test on the product, and empty the air in pipe and faucet thoroughly before the test. Please ensure test pressure below 0.8MPa and test duration within 30 minutes.
7. All installations should comply with the relevant requirements of AS/NZS 3500 and AS/NZS 6400.

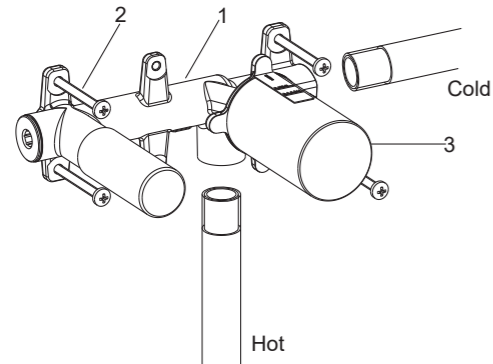
HANDLE OPERATION

Lift the handle gently. Turn clockwise for hot water, turn counter-clockwise for cold water.

ROUGH-IN DIMENSIONS



INSTALLATION



How to Install the Body

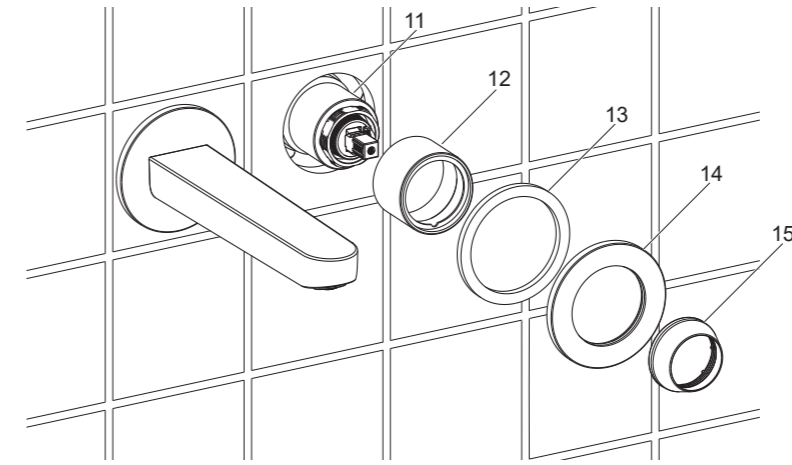
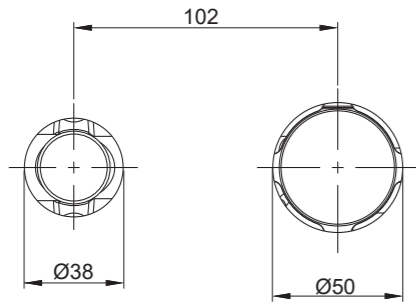
Construct a suitable wall frame for the valve body(1). Make sure that the frame is horizontal and correct.

Fix the valve body to the wall frame with the fixing screws(2, not provided). The outer surface of the finished wall should be between the MAX and MIN marks on the protector(3). The size of the hole in the finished wall is as the figure shown.

NOTE: Ensure the centerline of valve is vertical to the wall. Make sure that the valve body is straight and horizontal. Make sure that the frame is horizontal and correct.

Connect hot and cold supplies to the body as shown. Connect hot supply to the bottom inlet with the "H" mark. Connect cold supply to the right inlet with the "C" mark.

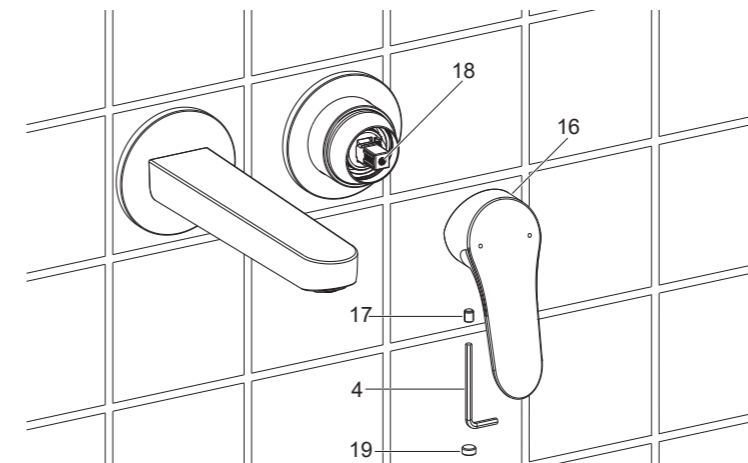
During installation, the protectors remain on the valve body.



How to Install the Handle

Ensure that the valve(11) is closed.

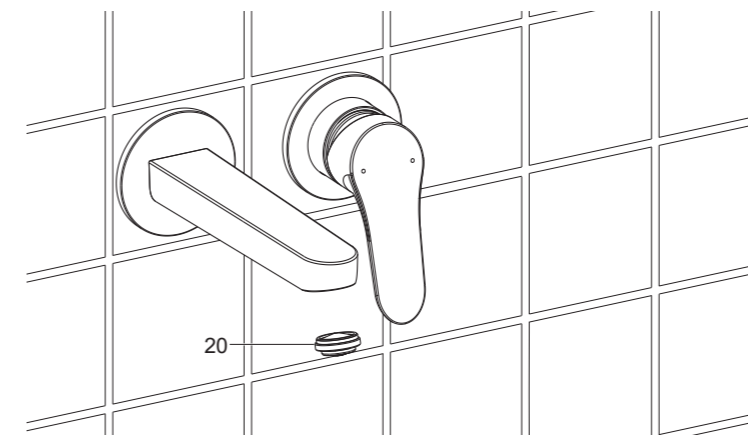
Install the sleeve(12) with the opening downwards onto the valve. Put the washer(13) into the groove of the escutcheon(14) backside. Slide the escutcheon onto the sleeve until it is against the finished wall. Screw the bonnet(15) onto the valve.



Loosen the screw(17) in the handle(16) with 2.5mm hex wrench(4). Install the handle onto the valve stem(18). Tighten the screw with the hex wrench and press the plug(19) to the hole.

When the installation is completed, the correct position of the spout and handle with the valve closed is shown in the figure of installation checkout.

INSTALLATION CHECKOUT



Ensure that all connections are tighten. Ensure the handle is in the off position.

Turn on the drain and main water supply, and check for leaks. Repair as needed.

Remove the aerator(20) with coin. Turn on the faucet. Run hot and cold water through the spout for about one minute to remove any debris. Check for leaks. Remove any debris from the aerator. Shut off the faucet. Reinstall the aerator.

CLEANING INSTRUCTIONS

All Finishes: Clean the finish with mild soap and warm water. Wipe entire surface completely dry with clean soft cloth. Many cleaners may contain chemicals, such as ammonia, chlorine, toilet cleaner etc. which could adversely affect the finish and are not recommended for cleaning.

Do not use abrasive cleaners or solvents on Kohler faucets and fittings.

How to Install the Spout

Remove the protectors after the wall is finished.

Loosen the screw(6) in the spout(5) bottom with 2.5mm hex wrench(4). Ensure the washer(7) is put into the groove of the escutcheon(8) backside.

Install the spout onto the connector(9) with its outlet downwards until it is against the finished wall. Tighten the screw with the hex wrench to secure the spout. **NOTE:** Don't damage the O-ring(10) on the connector.

