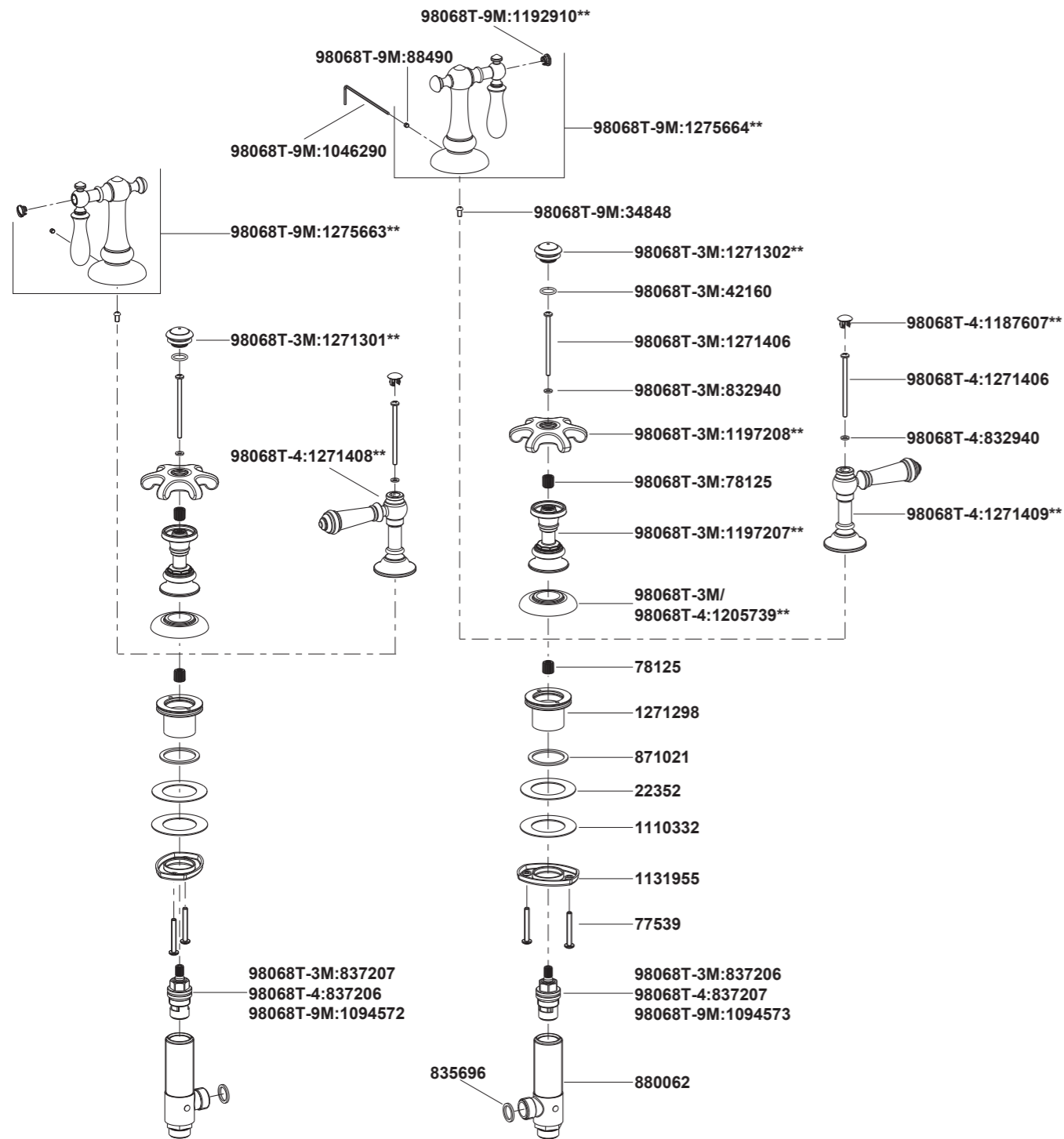


- 98068T-3M Prong Handles
- 98068T-4 Lever Handles
- 98068T-9M Swing Lever Handles



\*\*Color code must be specified when ordering.  
**NOTE:** For all Asia pacific regions (excluding China) add SP (SPxxxxxx\*\*) in front of the part number when ordering.

- 72758T Bathroom Sink Spout With Tea Design
- 72759T Bathroom Sink Spout With Bell Design
- 72760T Bathroom Sink Spout With Column Design
- 72777T Deck-mount Bath Spout With Flare Design
- 72778T Deck-mount Bath Spout With Arc Design
- 98068T Handles

**BEFORE YOU BEGIN**

All information is based on the latest product information available at the time of publication. Kohler Co. reserves the right to make changes in product characteristics, packaging, or availability at any time without notice.

Please leave these instructions for the consumer. They contain important information.

**NOTES:**

1. Flush the water supply pipes thoroughly to remove debris.
2. If possible, install this faucet before installing the lavatory or bath tub.
3. Inspect the supply tubing for damage and leakage. Replace and maintain as necessary.
4. Observe local plumbing codes.
5. Shut off the water supplies to the fitting.

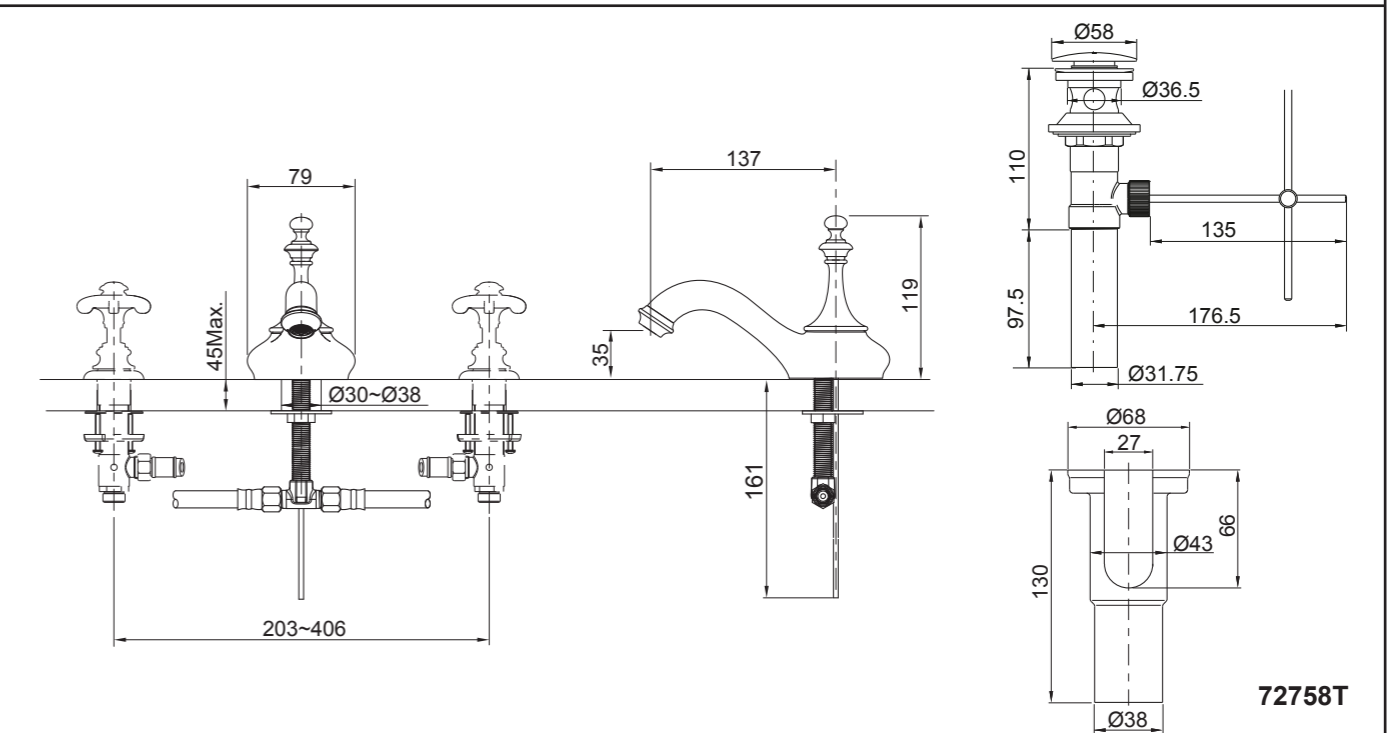
**HANDLE OPERATION**

For 98068T-3M, left handle opens with turning clockwise, right handle opens with turning counter-clockwise;  
 For 98068T-4 & 98068T-9M, right handle opens with turning clockwise, left handle opens with turning counter-clockwise.

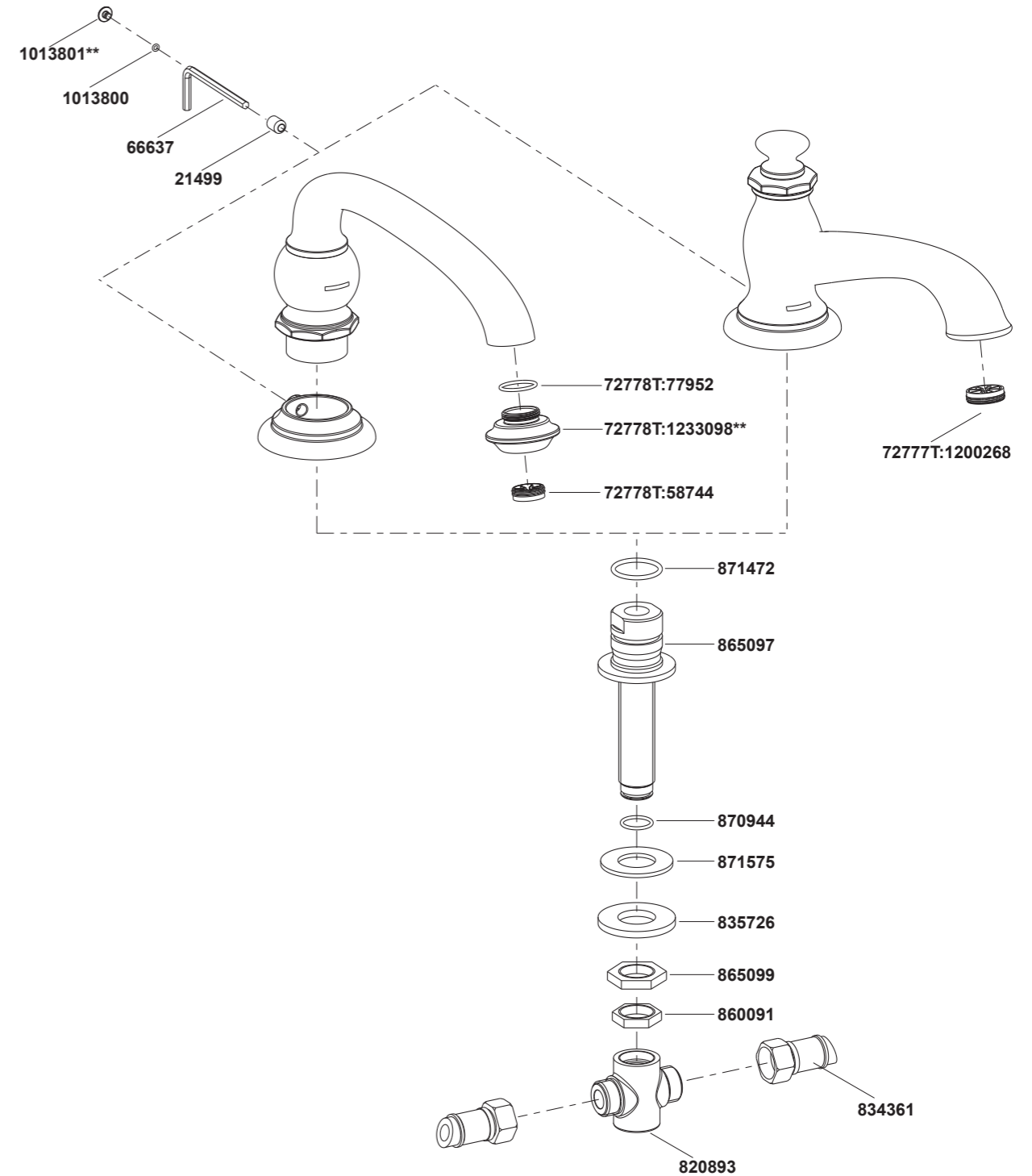
**STANDARD APPLICABLE**

Special model meets or exceeds the following at date of manufacture: TIS

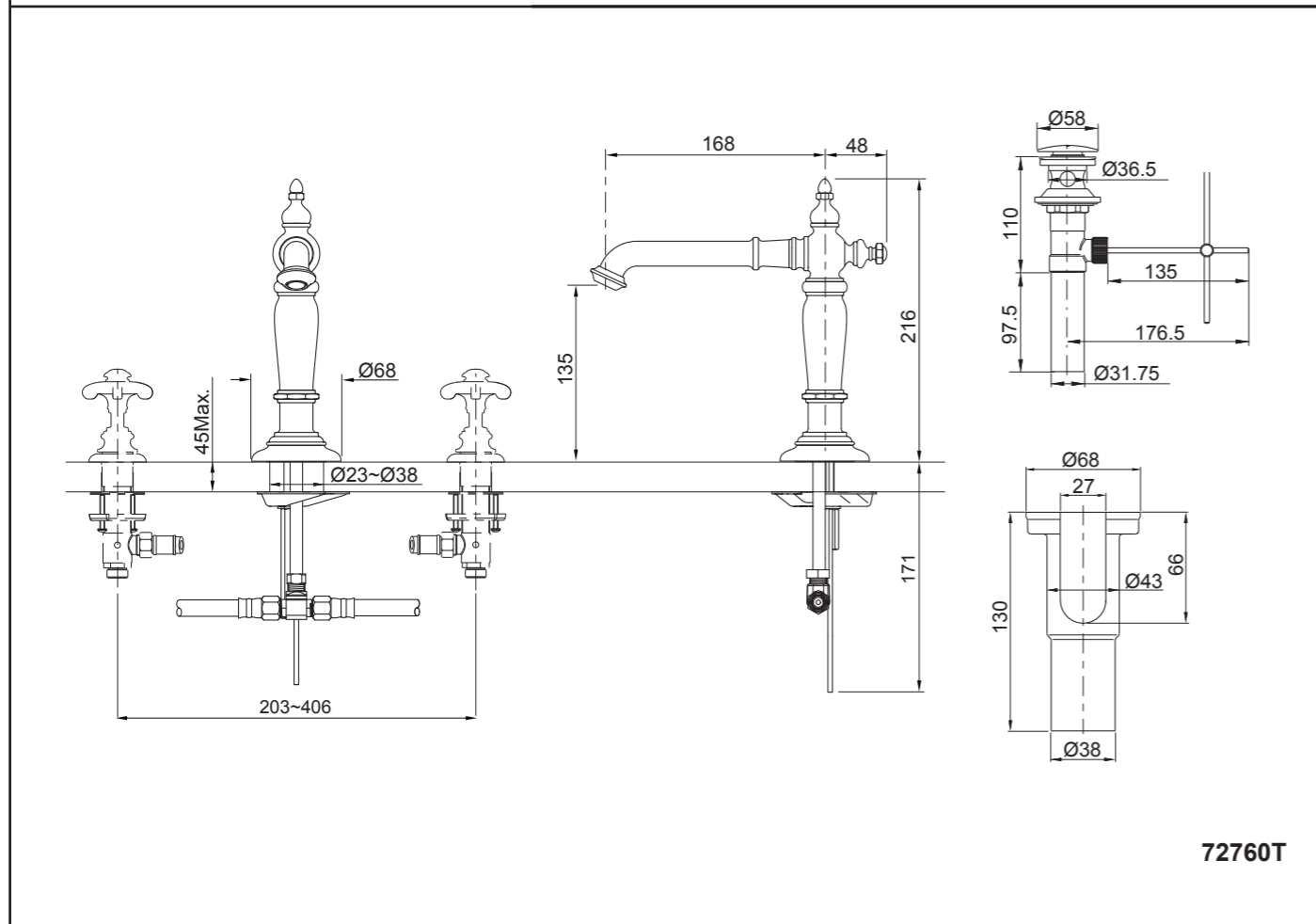
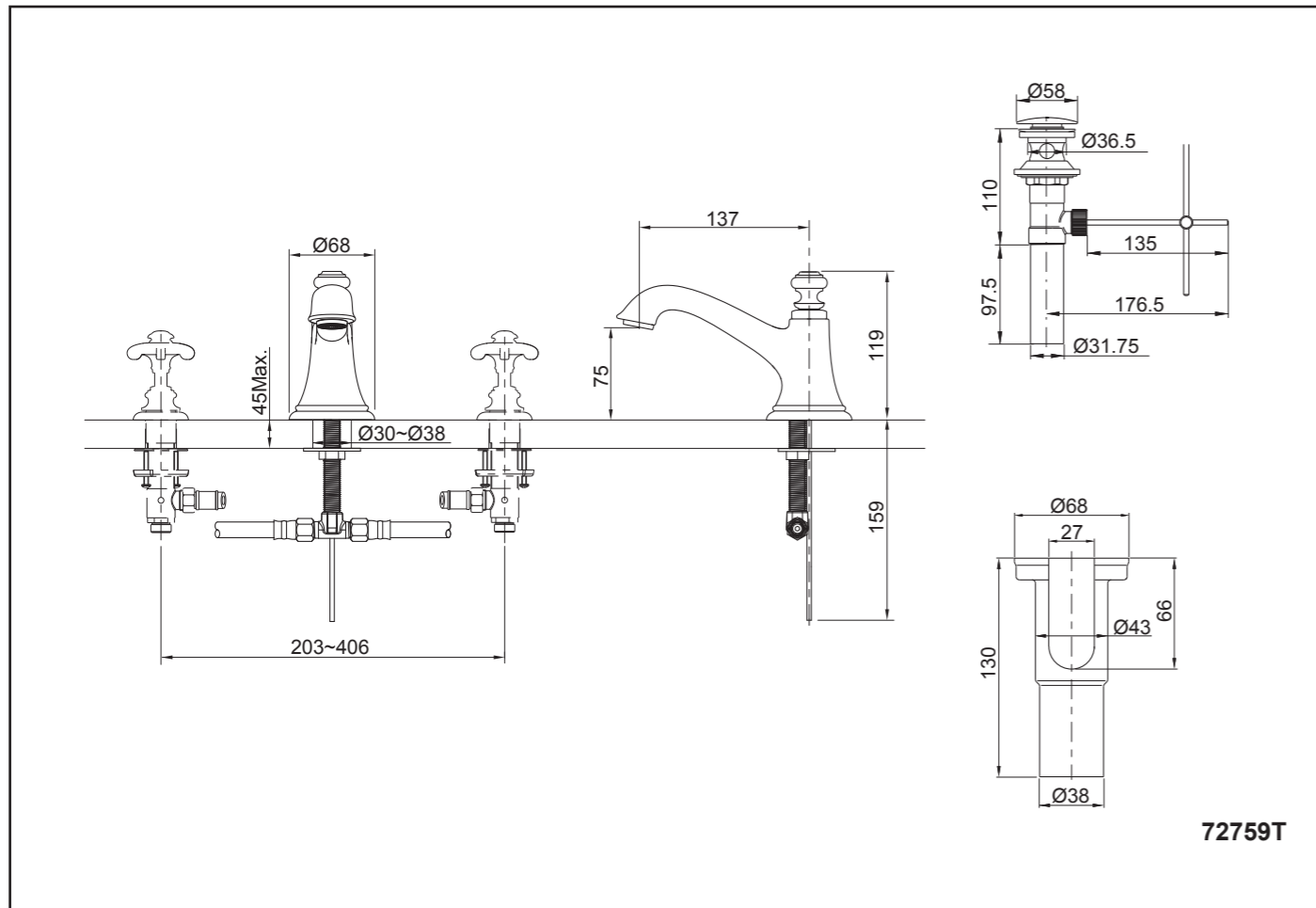
**ROUGH-IN DIMENSIONS**



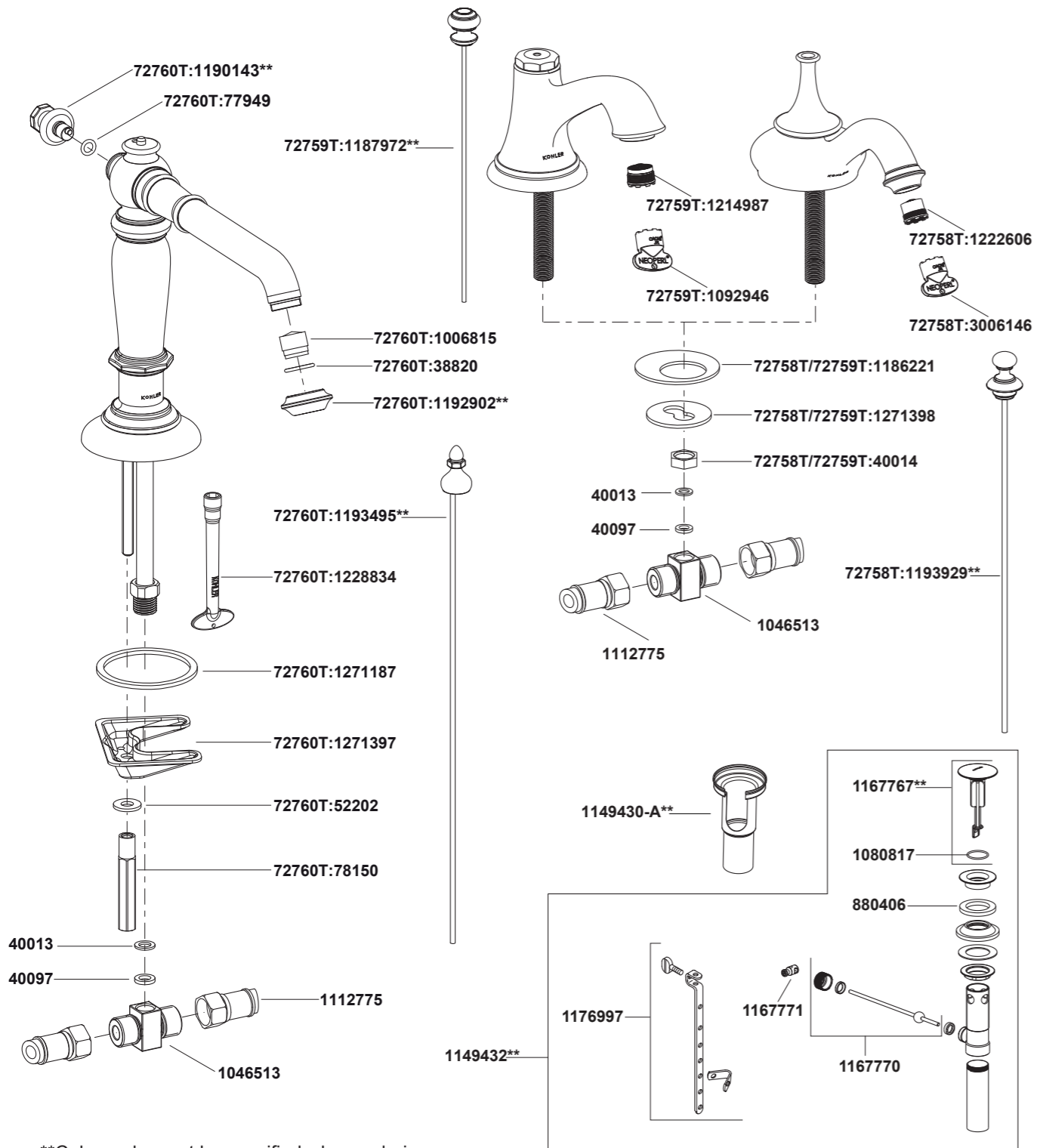
72777T Deck-mount Bath Spout With Flare Design  
72778T Deck-mount Bath Spout With Arc Design



\*\*Color code must be specified when ordering.  
**NOTE:** For all Asia pacific regions (excluding China) add SP (SPxxxxxx\*\*) in front of the part number when ordering.

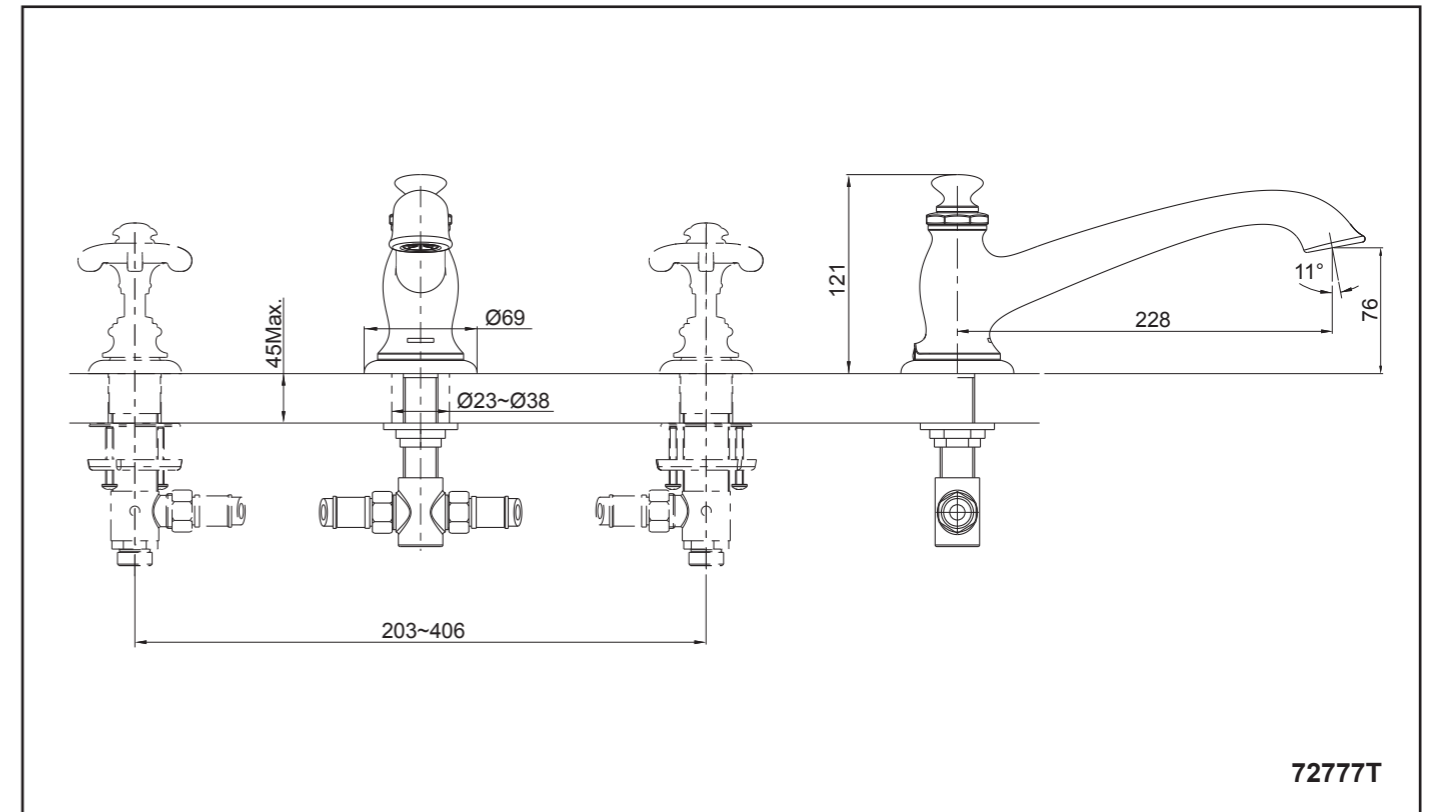


- 72758T Bathroom Sink Spout With Tea Design
- 72759T Bathroom Sink Spout With Bell Design
- 72760T Bathroom Sink Spout With Column Design

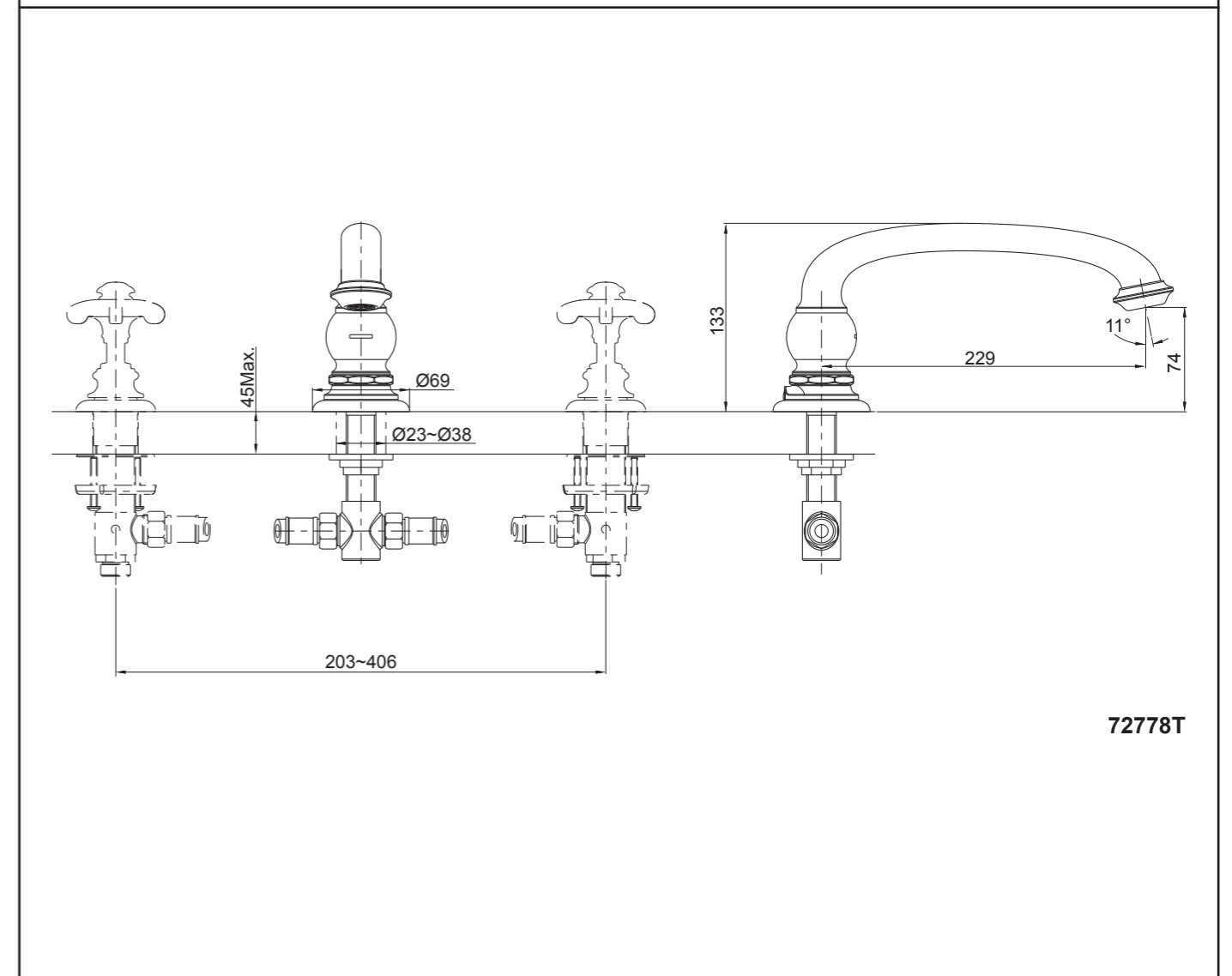


\*\*Color code must be specified when ordering.

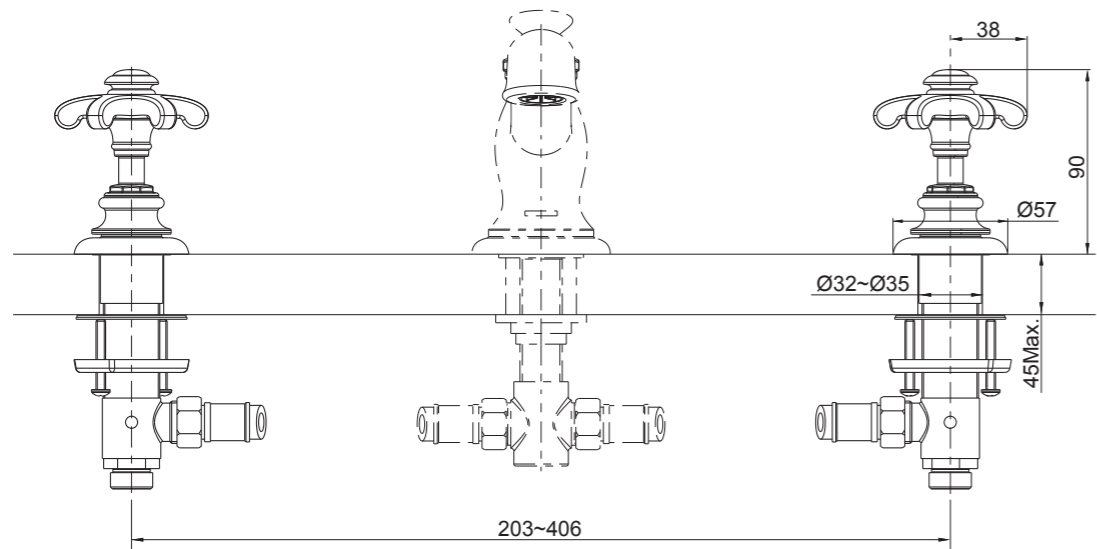
**NOTE:** For all Asia pacific regions (excluding China) add SP (SPxxxxxx\*\*) in front of the part number when ordering.



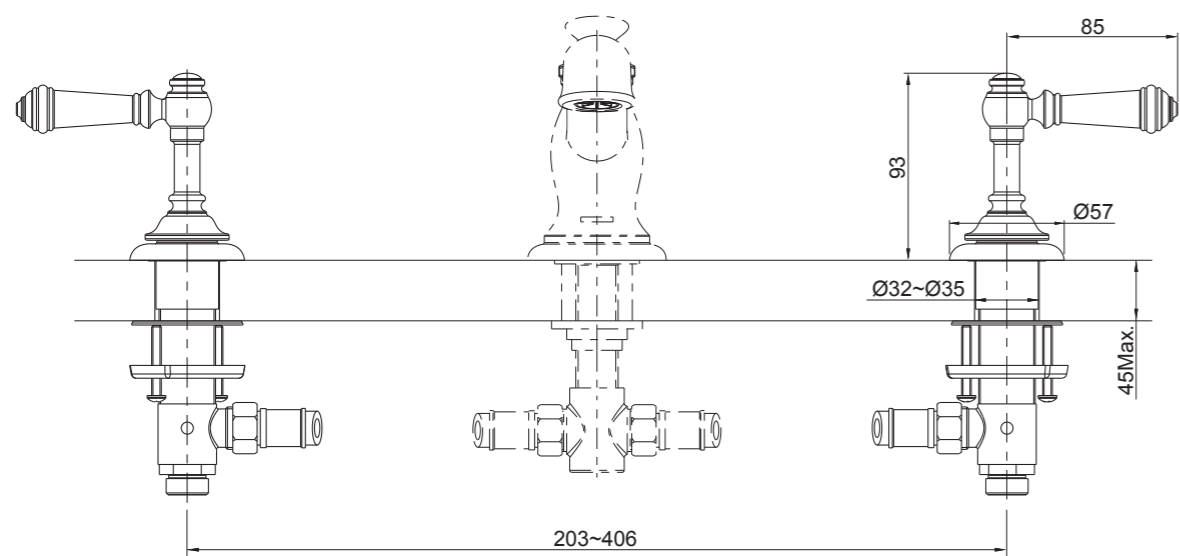
72777T



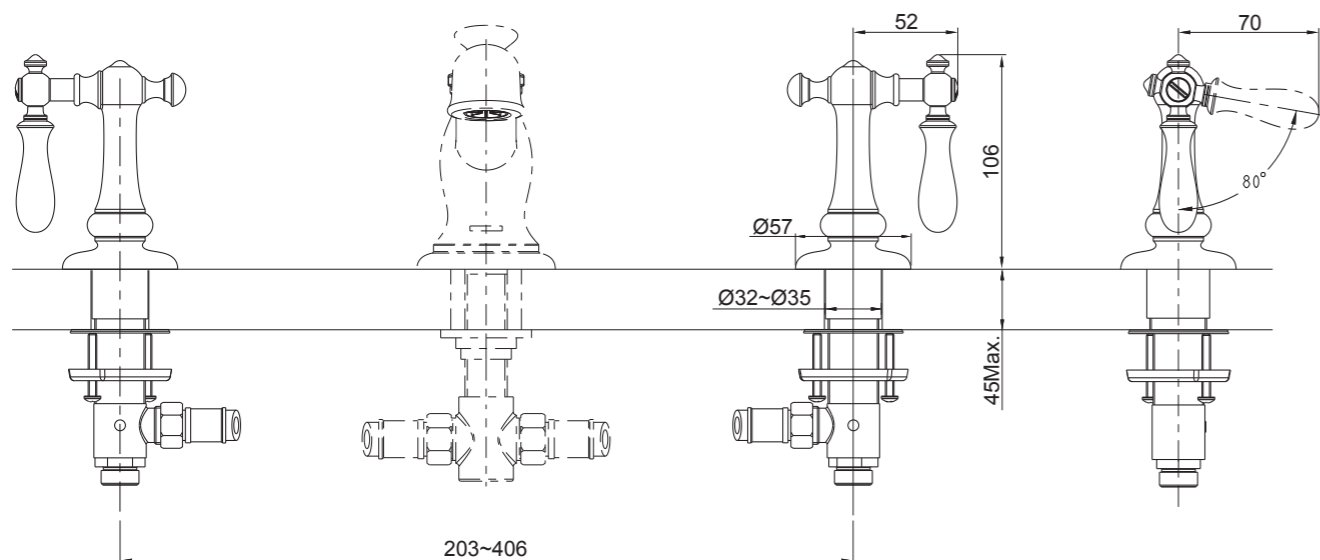
72778T



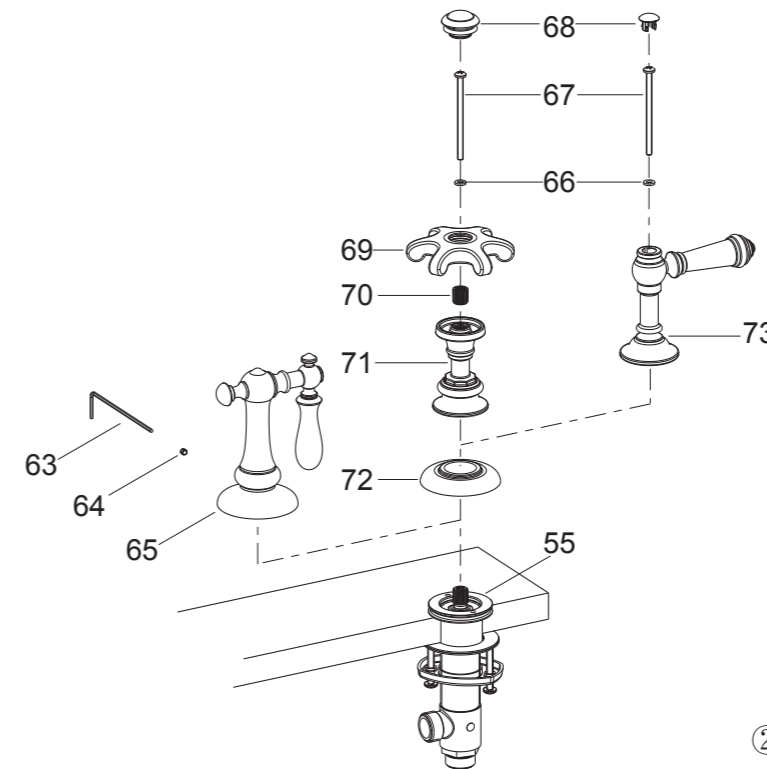
98068T-3M



98068T-4



98068T-9M



Ensure the valves and handle kits are in the off position.

**For 98068T-9M**

Install the handle kits(65) onto the base nuts(55). **NOTE:** The handle kit with red mark should be installed on the left. Tighten the screws(64) into the handle kits by hex wrench(63).

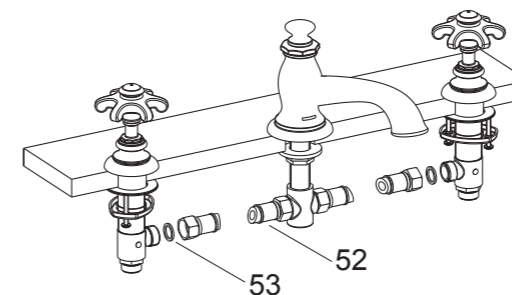
**For 98068T-3M / 98068T-4**

Remove the caps(68) and screws(67). Install the escutcheons(72) onto the base nuts(55) until they contact the deck.

For 98068T-3M, install the handle connections(71), adapters(70) and handle kits(69). For 98068T-4, install the handle kits(73) onto the escutcheons(72). **NOTE:** The handle kit with red mark should be installed on the left.

- ② Install the screws(67) with washers(66) into the valve stems. Install the caps.

**How to Connect the Hoses**

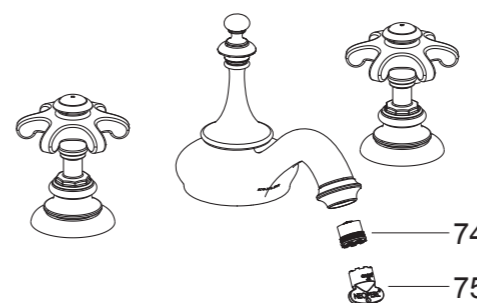


For sink spout 72758T, 72759T & 72760T, connect the hoses(52) to the spout.

For bath spout 72777T & 72778T, connect the hoses(52) to the spout with the washers(53). To ease installation, you may back off the supply tee up to 180 degrees. Ensure that there is no kinking of the hoses.

- ③

**INSTALLATION CHECKOUT**



Ensure that all coupling nuts are tight. Ensure that the handles are in the off position.

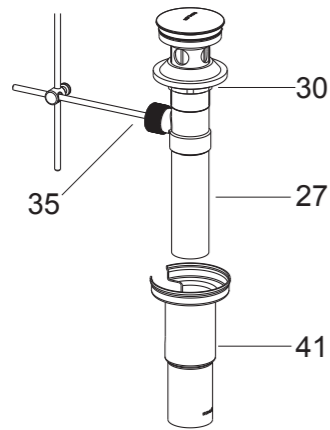
Turn on the main water supply and drain, and check for leaks. Repair as needed.

For 72758T & 72759T, remove the aerator(74) by key(75); For 72760T, remove the aerator. Run hot and cold water through faucet for about one minute to remove any debris. Check for leaks. Repair as needed. Remove any debris from the aerator. Shut off the faucet. Reinstall the aerator.

**CLEANING INSTRUCTIONS**

All Finishes: Clean the finish with mild soap and warm water. Wipe entire surface completely dry with clean soft cloth. Many cleaners may contain chemicals, such as ammonia, chlorine, toilet cleaner etc, which could adversely affect the finish and are not recommended for cleaning.

Do not use abrasive cleaners or solvents on Kohler faucets and fittings.

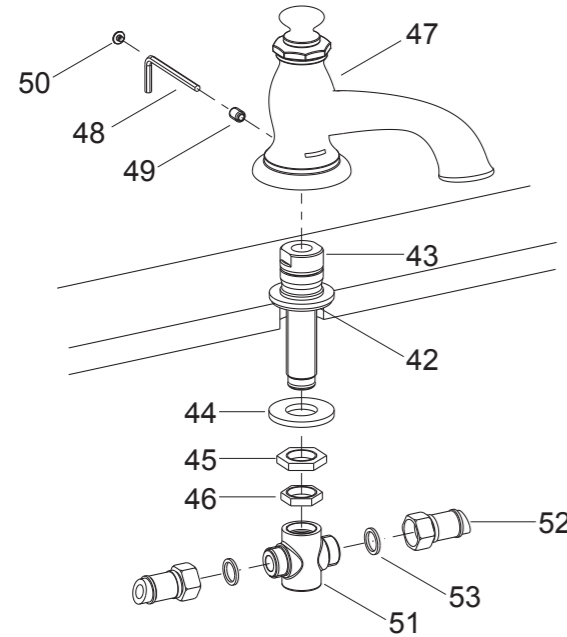


### How to Install the Drain Shroud

Slide drain shroud(41) with slot facing toward the back, up over tailpiece(27) and around ball lever rod(35), until contact with locknut(30) on the drain. **NOTE:** At this point, tighten the drain shroud.

Connect the tailpiece to the trap. The tailpiece should extend 25mm to 40mm into the trap.

⑦



### How to Install the Deck-mount Spout (72777T & 72778T)

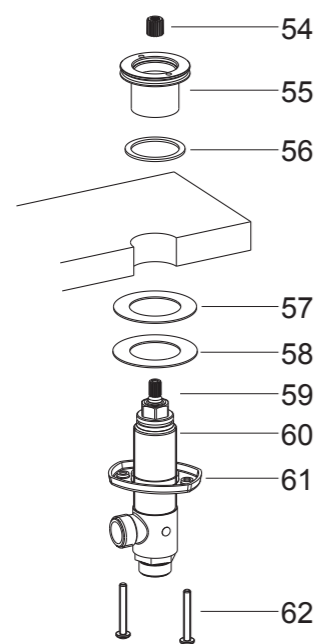
Fit the shank(43) with washer(42) into the center hole of tub. Install the washer(44) and nut(45, 46) onto the shank, wrench to tighten nut(45) then tighten nut(46).

Install the spout(47) onto the shank until it contact the deck. Position the spout, tighten the screw(49) in the spout back by hex wrench(48). Insert the plug(50) into the rear hole.

Thread supply tee(51) to the shank of the unit kit until hand-tight.

Put the washers(53) into each end of the hoses(52), connect the hoses and tee supply, the other end of the hose connect the handle.

①



### How to Install the Handles (98068T)

Remove the base nuts(55) and the washers(56) from the side bodies(60). Be sure the washers(57), steel washers(58) and the threaded rings(61) on the side bodies.

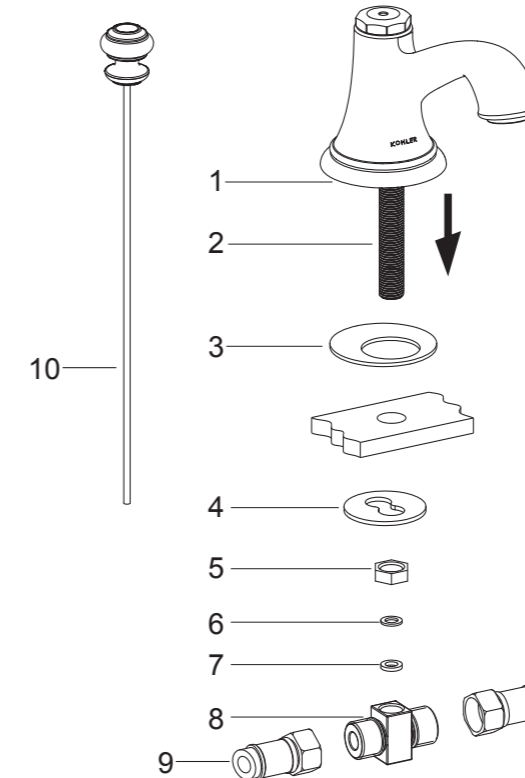
Insert the side bodies into the mounting hole from the underside of the deck. **NOTE:** The side body with red mark should be installed on the left. Put the washers (56) into the groove of the base nuts. Thread the base nuts onto each side body.

Adjust the outlet of side body to connect hose easily. Secure the threaded rings(61) by tightening screws(62) with screwdriver.

①

Install the adapters(54) on the valve stems(59).

## INSTALLATION



### How to Install the Sink Spout

#### For sink spout (72758T & 72759T)

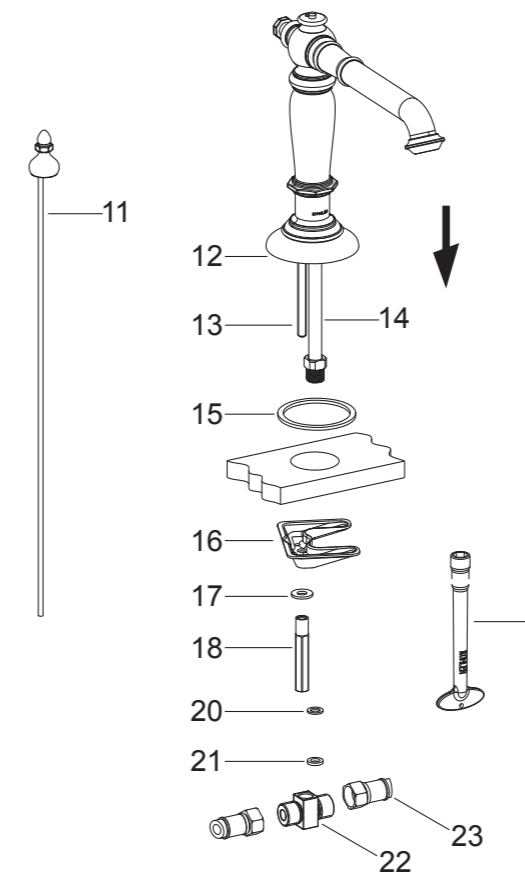
Insert the lift rod kit(10) to the top hole on the spout. Put the washer(3) into the spout base(1).

Insert the spout kit into the mounting hole of the lavatory. From underside of the lavatory, place the washer(4) and nut(5) onto the mounting stud(2). Position the faucet. Tighten the nut to secure the faucet.

Put rubber gasket washer(7) and plastic washer(6) into supply tee(8). Thread supply tee to the mounting stud until tight.

①

Connect the hose(9) and supply tee, the other end of the hose should be connected with handle.



#### Only for sink spout (72760T)

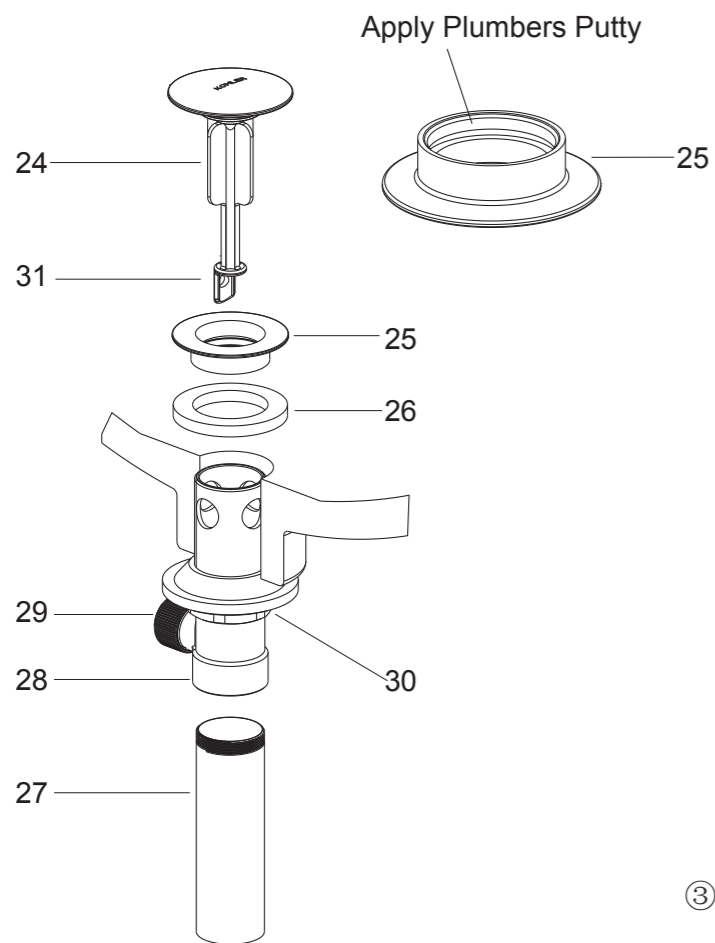
Insert the lift rod kit(11) to the top hole on the spout. Put the washer(15) into the spout base(12).

Insert the spout kit into the mounting hole of the lavatory. From underside of the lavatory, place the bracket(16), washer(17) and nut(18) onto the mounting stud(13). Position the faucet. Tighten the nut(18) by the tool(19) to secure the faucet.

Put rubber gasket washer(21) and plastic washer(20) into supply tee(22). Thread supply tee to the copper tube(14) until tight.

②

Connect the hose(23) and supply tee, the other end of the hose should be connected with handle.



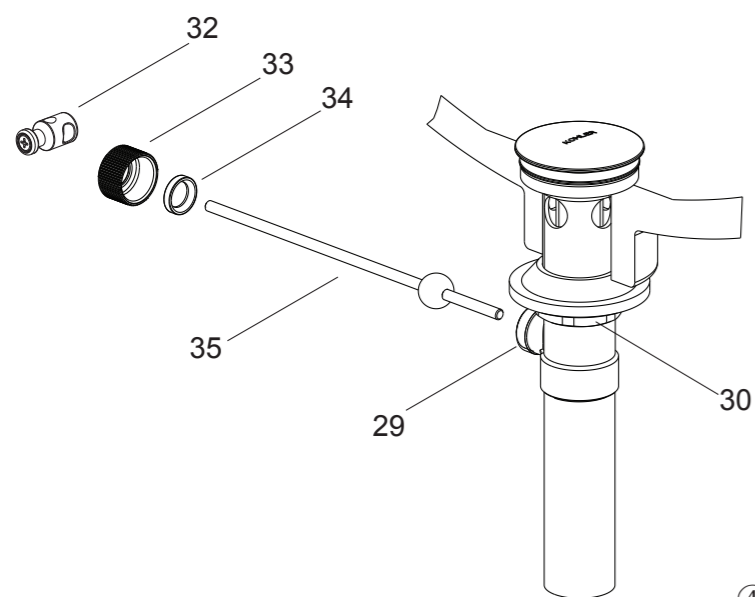
### How to Install the Drain

Remove stopper(24), flange(25), washer(26) and tailpiece(27) from drain body(28). Supply enough tape or sealant to tailpiece thread. Reinstall the tailpiece. Insert drain body kit into the lavatory from underside, and make sure the drain lever hole(29) facing to the back of the lavatory. Screw the flange with washer into the drain body. Tighten the locknut(30) by hand from the underside of the fixture.

**NOTE:** If needed, apply a ring of plumbers putty around the underside of the drain flange(25), instead of using washer(26).

Place stopper(24) into drain body aligning the flat side of stopper hole(31) with the drain lever hole.

③

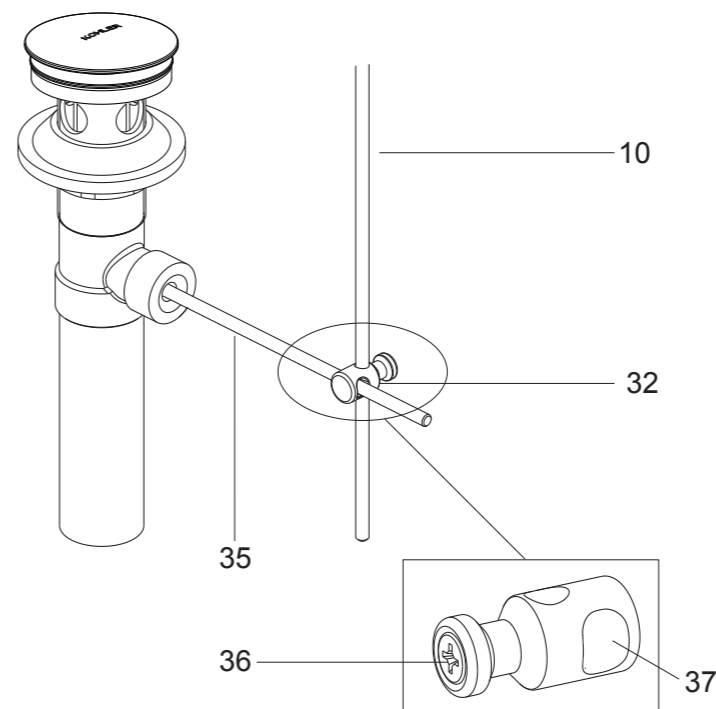


Remove the latch(32) and retaining nut(33). Fit the plastic washer(34) and retaining nut onto the ball lever(35). Insert the ball lever assembly into the drain lever hole and through the stopper hole. Tighten the retaining nut.

Be sure that the ball lever(35) points to the back of the lavatory, tighten the locknut(30) on the drain body by wrench.

**NOTE:** Do not reposition the drain if plumbers putty applied after the locknut is tightened, or you may break the putty seal. Wipe away excess plumbers putty.

④



### How to Install the Lift Rod Kit

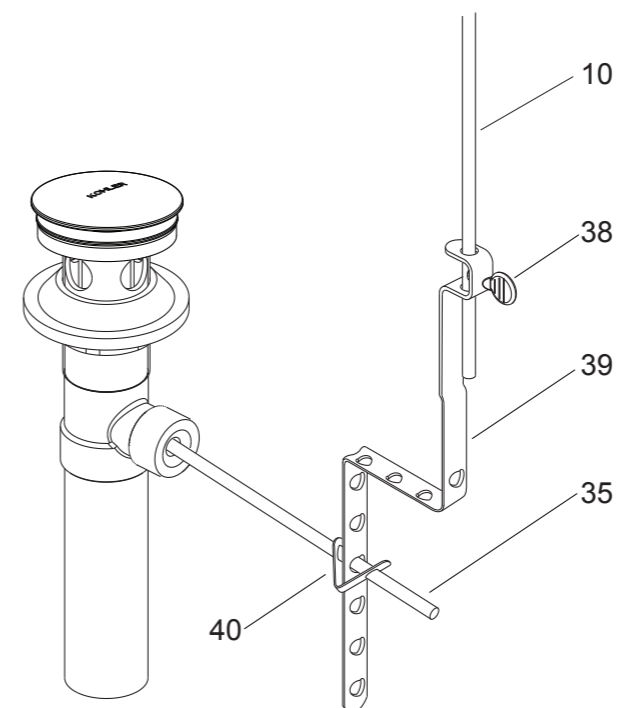
Select the connection of the drain and the lift rod according the dimension of lavatory.

Way 1: Select the latch(32)

Insert the ball lever rod(35) into the bigger hole(37) of the latch(32). Insert the lift rod(10) into the other hole of latch.

Push the ball lever rod down to the open position. Tighten the screw(36) on the latch.

⑤



Way 2: Select the link kit(38, 39 & 40).

According to the lift rod length, bend the link(39).

Connect the link onto ball lever rod with 'V' clip(40). Slide lift rod(10) into the hole on link.

Push the ball lever rod(35) down to the open position. Tighten thumb screw(38).

⑥