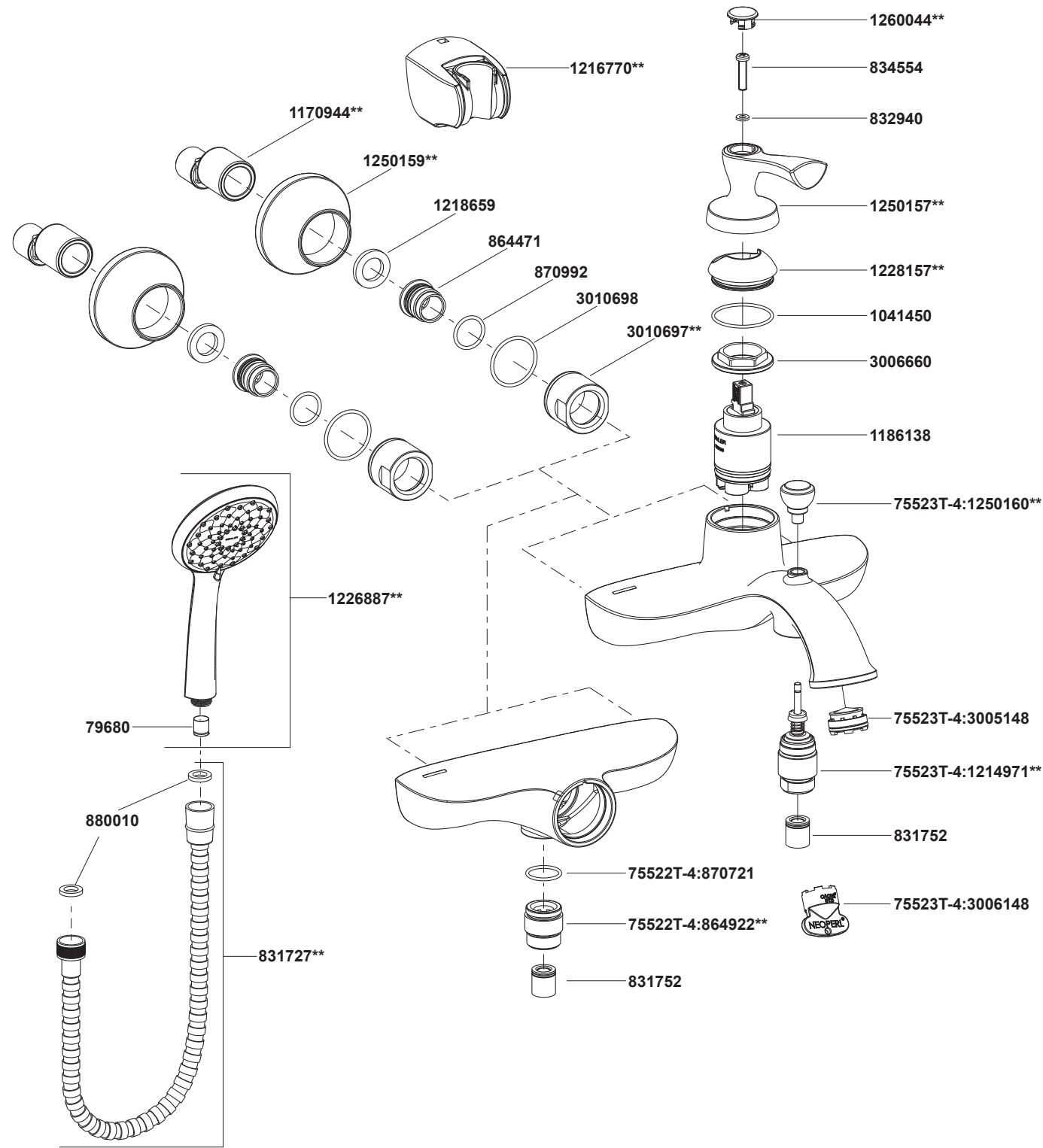


75522T-4 Wall Mount Shower Only Faucet  
75523T-4 Wall Mount Bath/Shower Faucet



\*\*Color code must be specified when ordering

75522T-4 Wall Mount Shower Only Faucet  
75523T-4 Wall Mount Bath/Shower Faucet

**BEFORE YOU BEGIN**

All information is based on the latest product information available at the time of publication. Kohler Co. reserves the right to make changes in product characteristics, packaging, or availability at any time without notice.

Please leave these instructions for the consumer. They contain important information.

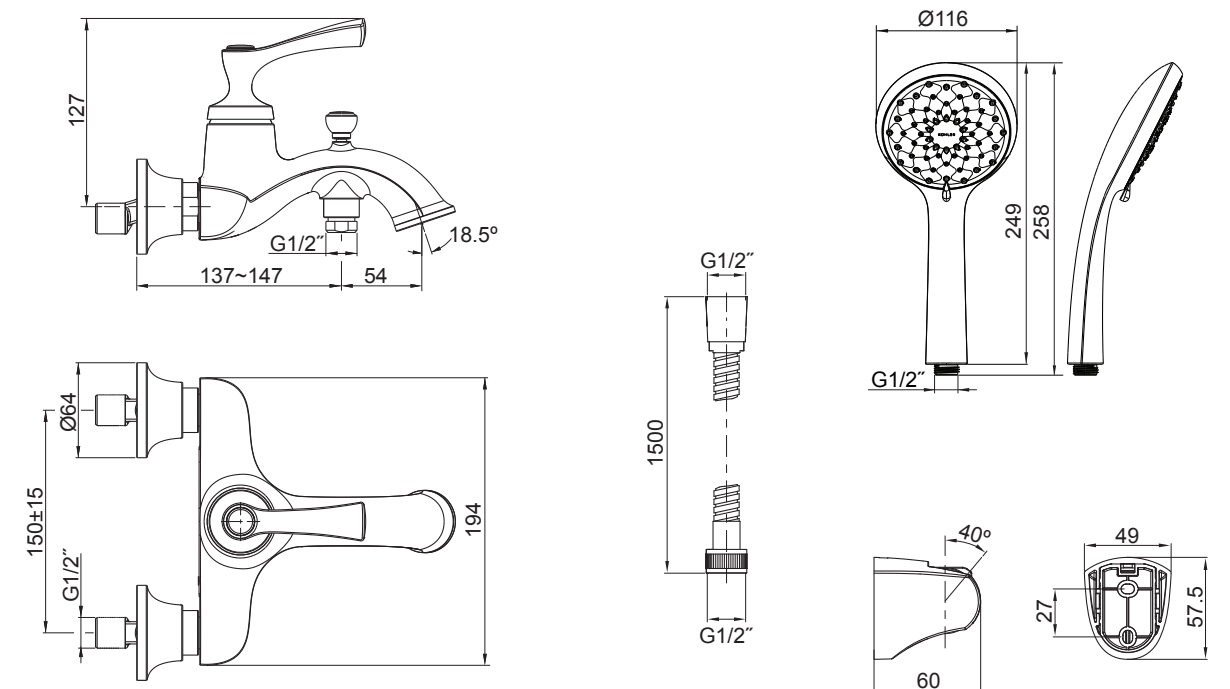
**NOTES:**

1. Flush the water supply pipes thoroughly to remove debris.
2. The minimum inlet water pressure for the diverter is 0.05MPa(0.5bar).
3. The highest working pressure for handspray & showerhead is 0.5MPa(5bar). If it exceeds 0.5MPa(5bar), a pressure reducer is needed. The highest water and environment temperature is 60°C. Please keep handspray, showerhead and the shower arm away from heater, or it may become damaged and cause injury to the user.
4. Shut off the water supplies to the fitting.

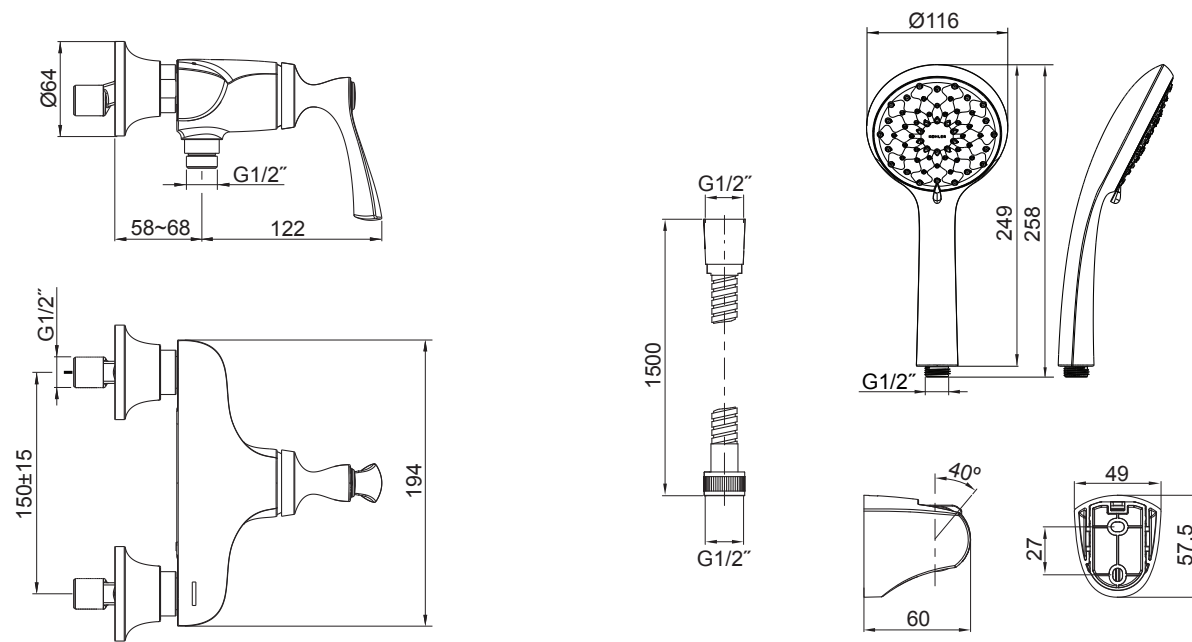
**HANDLE OPERATION**

Lift the handle gently, turn clockwise for hot water, counter-clockwise for cold water. For 75523T-4, lift the diverter knob gently, handspray work.

**ROUGH-IN DIMENSIONS**

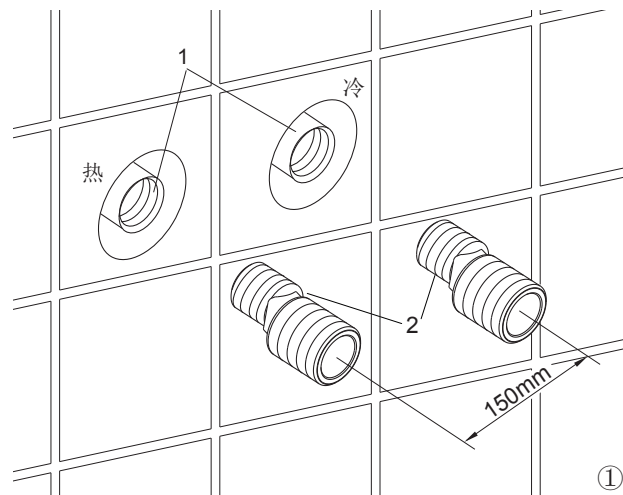


75523T-4



75522T-4

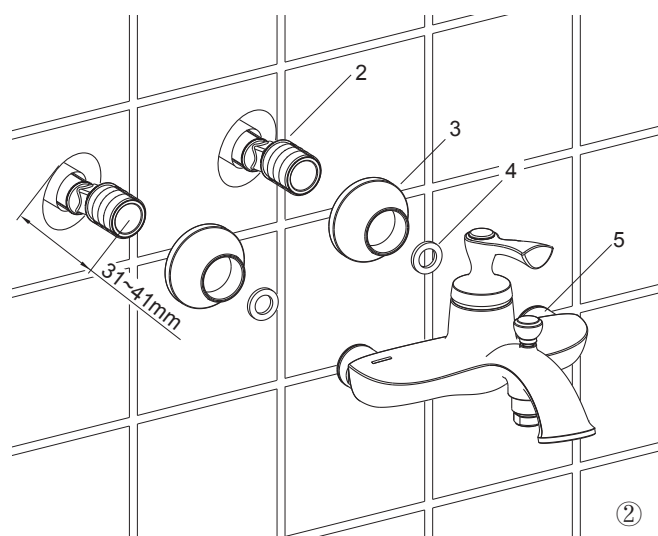
## INSTALLATION



### How to Install the Faucet

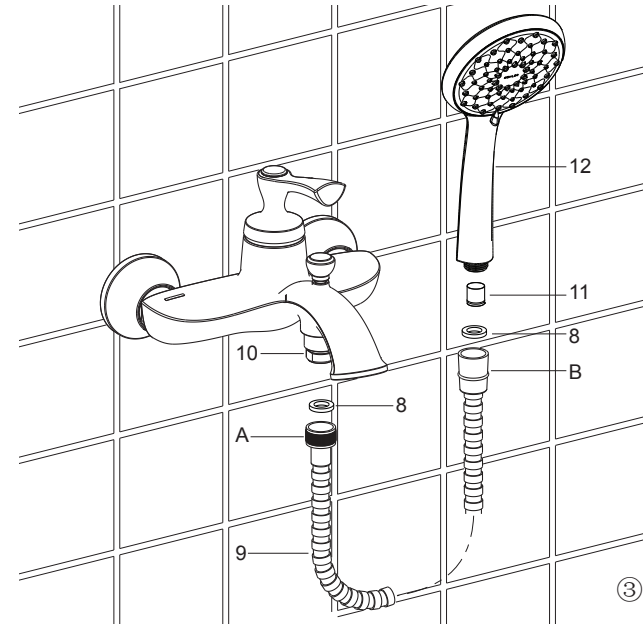
To perform installation, installer must provide G1/2" female supply fittings(1), spaced 150mm apart and horizontally. The supply fittings should be vertical and not beyond the finished wall. Hot supply pipe must be located on the left.

Install the two offset connectors(2) into the hot and cold supply pipes. Use appropriate thread sealants or thread tape on pipe threads.



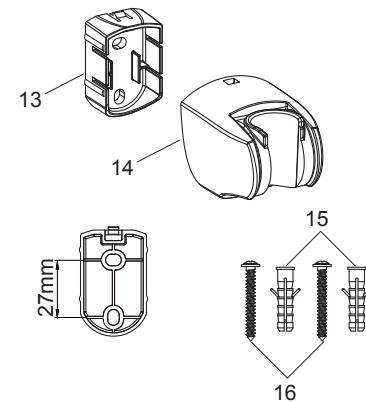
Adjust the center-to-center distance between the connectors to 150mm and horizontally. They should extend 31~41mm beyond the finished wall. Install the escutcheons(3) onto the connectors until they are against the finished wall.

Put the washers(4) into the nuts(5), thread the nuts to connectors. Tighten the nuts with strap wrench or soft cloth between product and regular wrench.



Put the washer(8) into the end A of the hose(9), and connect to the faucet outlet(10).

Put the check valve(11) into the handshower(12) inlet as shown if needed. Put the washer(8) into the end B of the hose, and connect to the handshower.

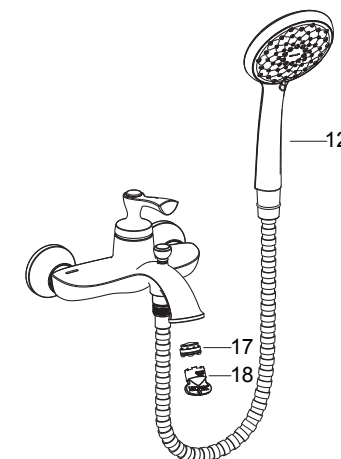


### How to Install the Bracket

Determine a suitable location on the finished wall to install the bracket.

Mark bracket base mounting hole locations on the wall according to the dimension. Drill two holes on the finished wall, the holes should match the anchors(15). Install the anchors. Tighten screws(16) to secure bracket base(13) to the finished wall. Put the bracket(14) onto the bracket base and lock by stopper. Hang the handshower on the shower bracket.

## INSTALLATION CHECKOUT



Ensure that all coupling nuts are tight. Ensure that the lever handle is in the off position.

Turn on the main water supply and drain, and check for leaks. Repair as needed.

Remove the handshower(12), remove aerator(17) by key(18). Run hot and cold water through faucet for about one minute to remove any debris. Check for leaks. Repair as needed. Remove any debris from the aerator. Shut off the faucet. Reinstall the aerator.

## CLEANING INSTRUCTIONS

All Finishes: Clean the finish with mild soap and warm water. Wipe entire surface completely dry with clean soft cloth. Many cleaners may contain chemicals, such as ammonia, chlorine, toilet cleaner etc, which could adversely affect the finish and are not recommended for cleaning.

Do not use abrasive cleaners or solvents on Kohler faucets and fittings.