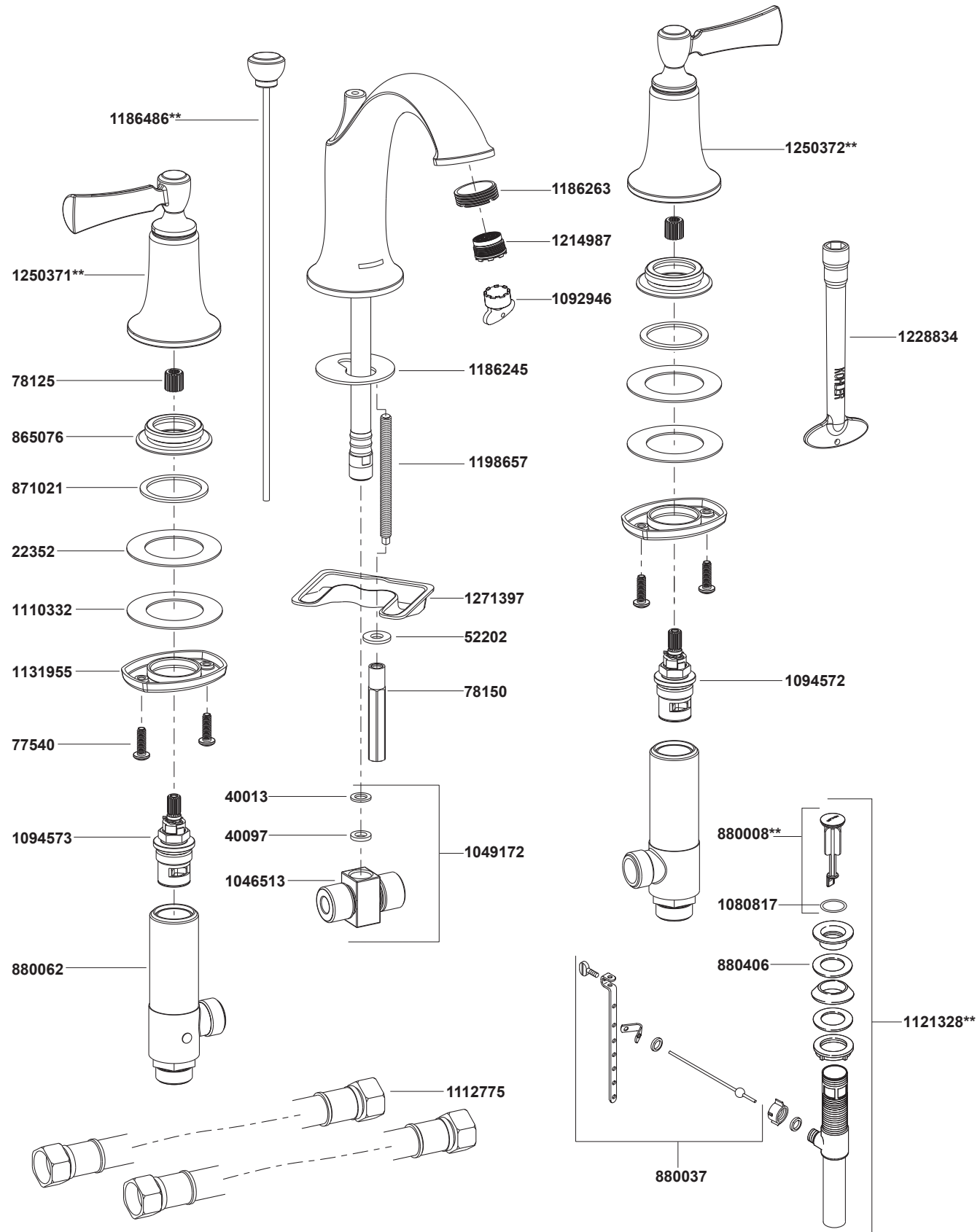


72781T-4 Widespread Lavatory Faucet



**Color code must be specified when ordering

72781T-4 Widespread Lavatory Faucet

BEFORE YOU BEGIN

All information is based on the latest product information available at the time of publication. Kohler Co. reserves the right to make changes in product characteristics, packaging, or availability at any time without notice.

Please leave these instructions for the consumer. They contain important information.

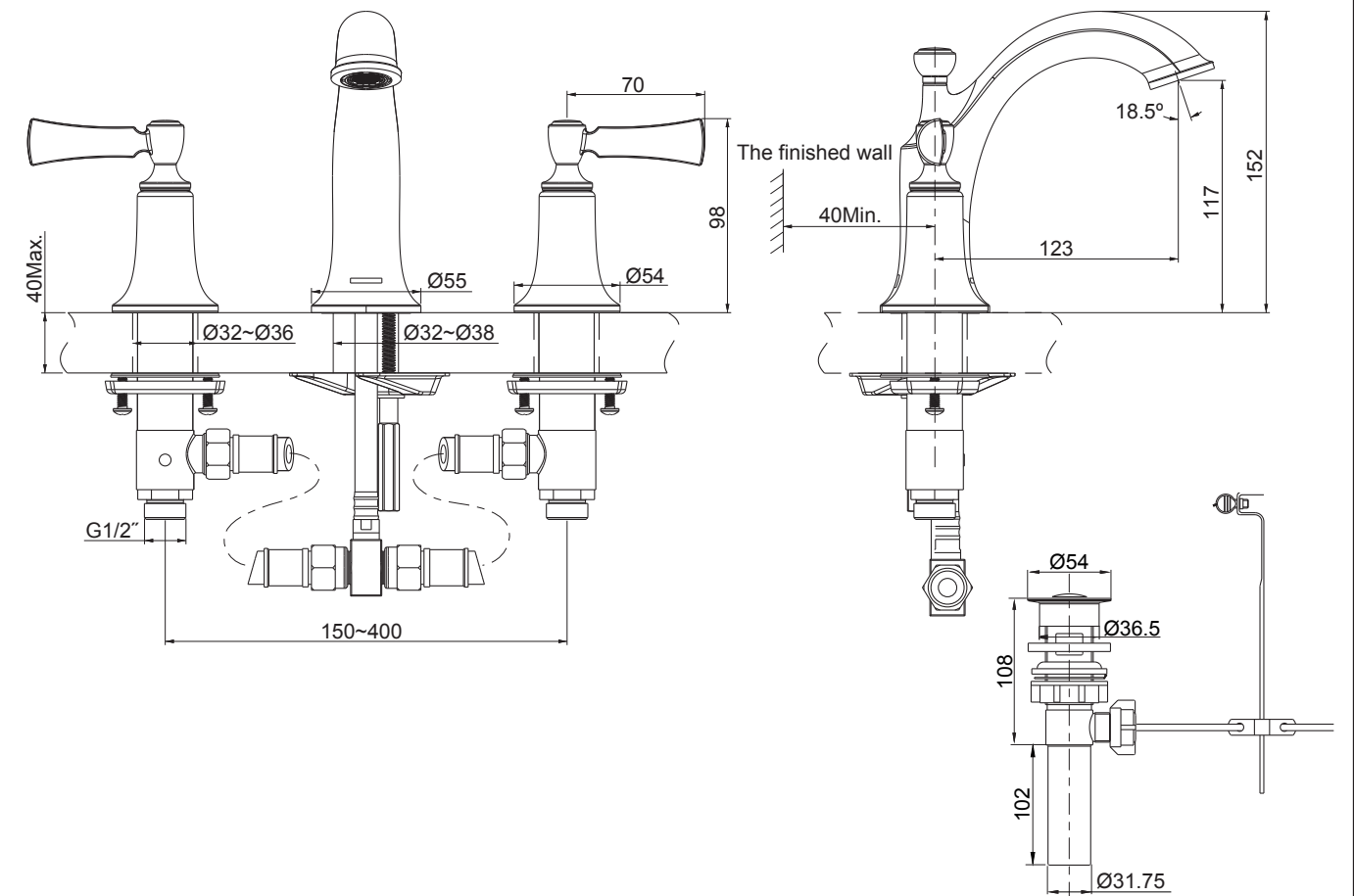
NOTES:

1. Flush the water supply pipes thoroughly to remove debris.
2. Inspect the supply tubing for damage and leakage. Replace and maintain as necessary.
3. Observe local plumbing codes.
4. If possible, install this faucet before installing the lavatory.
5. Shut off the water supplies to the fitting.

HANDLE OPERATION

Right handle opens with turning clockwise. Left handle opens with turning counter-clockwise.

ROUGH-IN DIMENSIONS



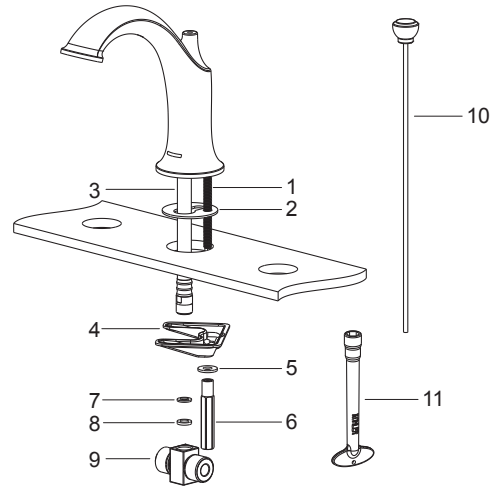
INSTALLATION

How to Install the Spout

Put the washer(2) into the faucet base. Insert the hose(3) into the mounting hole of the lavatory.

Insert the lift rod kit(10) to the top hole on the faucet. From underside of the lavatory, place the bracket(4) and washer(5) onto the mounting stud(1). Position the faucet. Tighten the nut(6) by the tool(11) to secure the faucet.

Put rubber gasket washer(8) and plastic washer(7) into supply tee(9). Thread supply tee to the hose(3) until tight.



How to Install the Valve Bodies and Handles

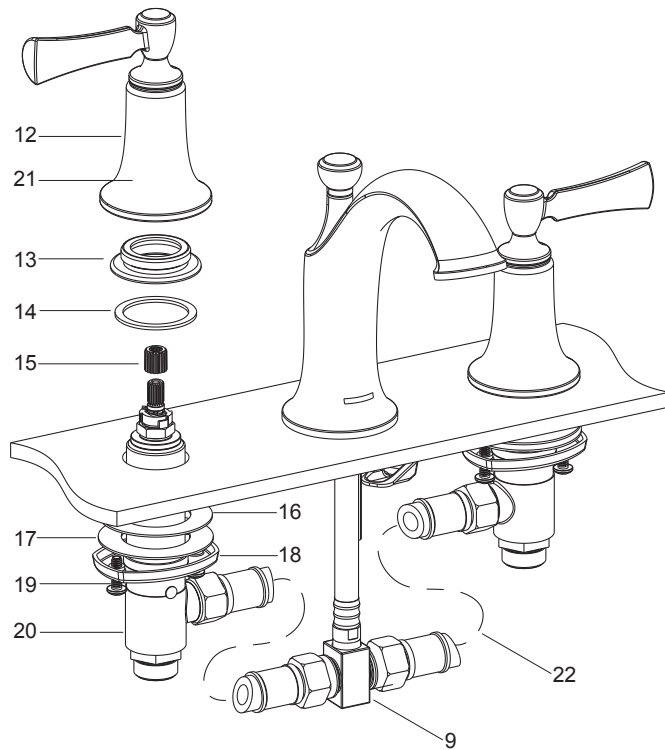
Remove handle kits(12), bases(13) and washers(14) from the valve bodies(20). Make sure the adapters(15) on the valve bodies.

Be sure the washers(16), steel washers(17) and the threaded rings(18) on the valve bodies. Insert the valve bodies through mounting holes from underside of the lavatory. **NOTE:** The valve body with red dot should be installed on the left side.

Put the washers(14) into the groove on the bottom of the bases(13). Thread the bases onto the valve bodies. Adjust the outlets of side bodies to connect hoses easily. Secure the threaded rings(18) by tightening screws(19) with screwdriver.

Ensure the valves and handles are in the off position. Tighten the escutcheons(21) of the handle kits and fix the handle kits onto the bases. **NOTE:** The handle kit with red mark should be installed on the left side of the body.

Connect the valve bodies and center tee(9) with hoses(22). **NOTE:** The hoses should only be used here.

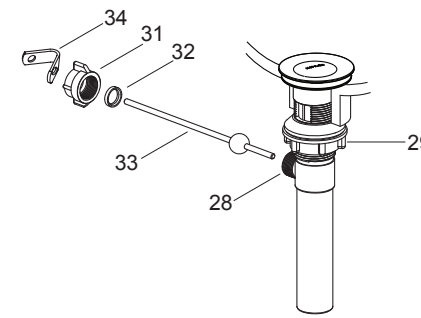
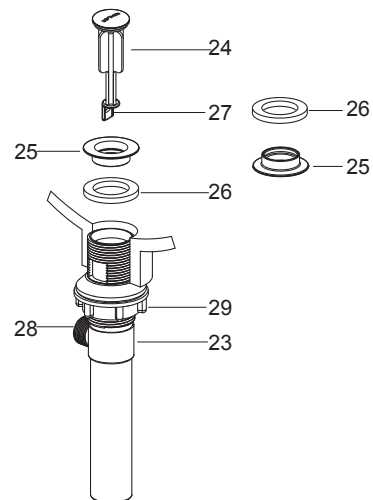


How to Install the Drain

Remove stopper(24), flange(25) and washer(26) from drain body(23). Insert drain body kit into the lavatory from underside, and make sure the drain lever hole(28) facing to the back of the lavatory. Screw the flange with washer into the drain body. Tighten the locknut(29) by hand from the underside of the fixture.

NOTE: If needed, apply a ring of plumbers putty around the underside of the drain flange(25), instead of using washer(26).

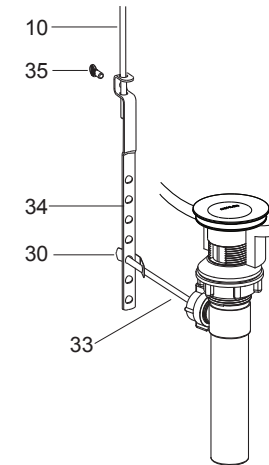
Place stopper(24) into drain body aligning the flat side of stopper hole(27) with the drain lever hole.



Remove the retaining nut(31) and 'V'-clip(30). Fit the plastic washer (32) and retaining nut onto the ball lever(33). Insert the ball lever assembly into the drain lever hole and through the stopper hole(27). Tighten the retaining nut.

Be sure that the ball lever(33) points to the back of the lavatory, tighten the locknut(29) on the drain body by wrench.

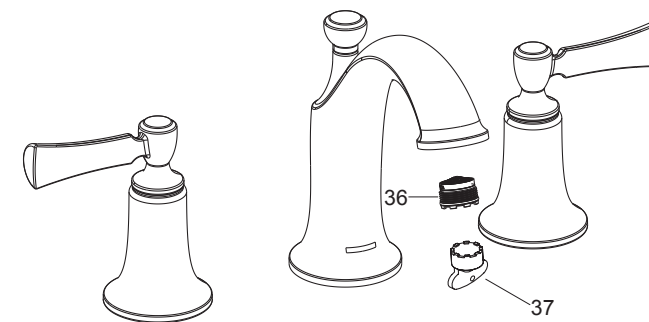
NOTE: Do not reposition the drain if plumbers putty applied after the locknut is tightened, or you may break the putty seal. Wipe away excess plumbers putty.



Assemble thumb screw(35) to link(34), and link onto ball lever(33) with 'V'-clip(30).

Slide lift rod(10) through the hole of the link. Push the ball lever down into the open position. Position the lift rod. Tighten thumb screw(35).

INSTALLATION CHECKOUT



Ensure that all coupling nuts are tight. Ensure that the lever handles are in the off position.

Turn on the main water supply and drain, and check for leaks. Repair as needed.

Remove the aerator(36) by key(37). Run hot and cold water through faucet for about one minute to remove any debris. Check for leaks. Repair as needed. Remove any debris from the aerator. Shut off the faucet. Reinstall the aerator.

CLEANING INSTRUCTIONS

All Finishes: Clean the finish with mild soap and warm water. Wipe entire surface completely dry with clean soft cloth. Many cleaners may contain chemicals, such as ammonia, chlorine, toilet cleaner etc, which could adversely affect the finish and are not recommended for cleaning.

Do not use abrasive cleaners or solvents on Kohler faucets and fittings.