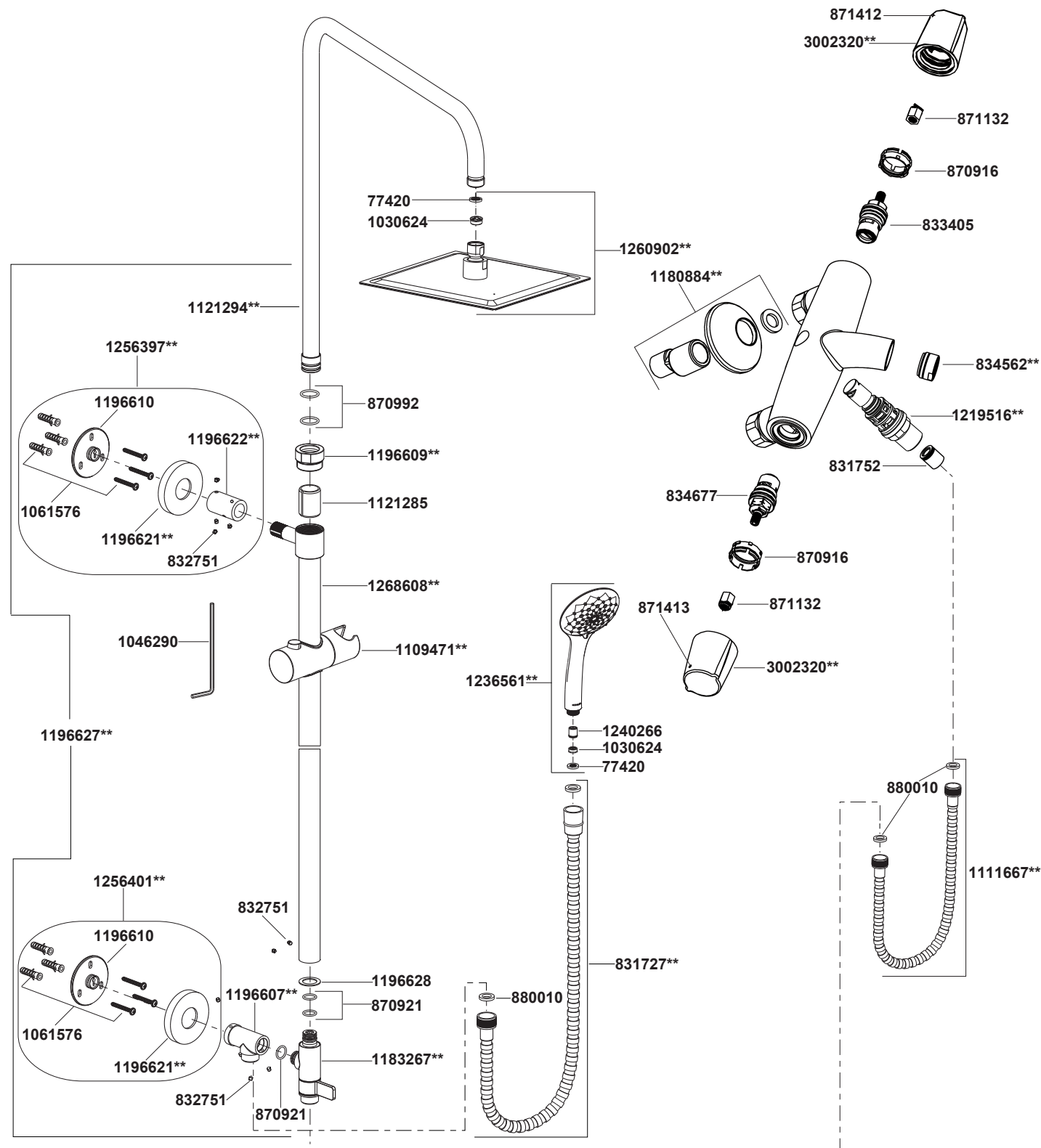


72679T-C7 Wall-Mount Bath & Dual Shower Column



**Color code must be specified when ordering

72679T-C7 Wall-Mount Bath & Dual Shower Column

BEFORE YOU BEGIN

All information is based on the latest product information available at the time of publication. Kohler Co. reserves the right to make changes in product characteristics, packaging, or availability at any time without notice.

Please leave these instructions for the consumer. They contain important information.

NOTES:

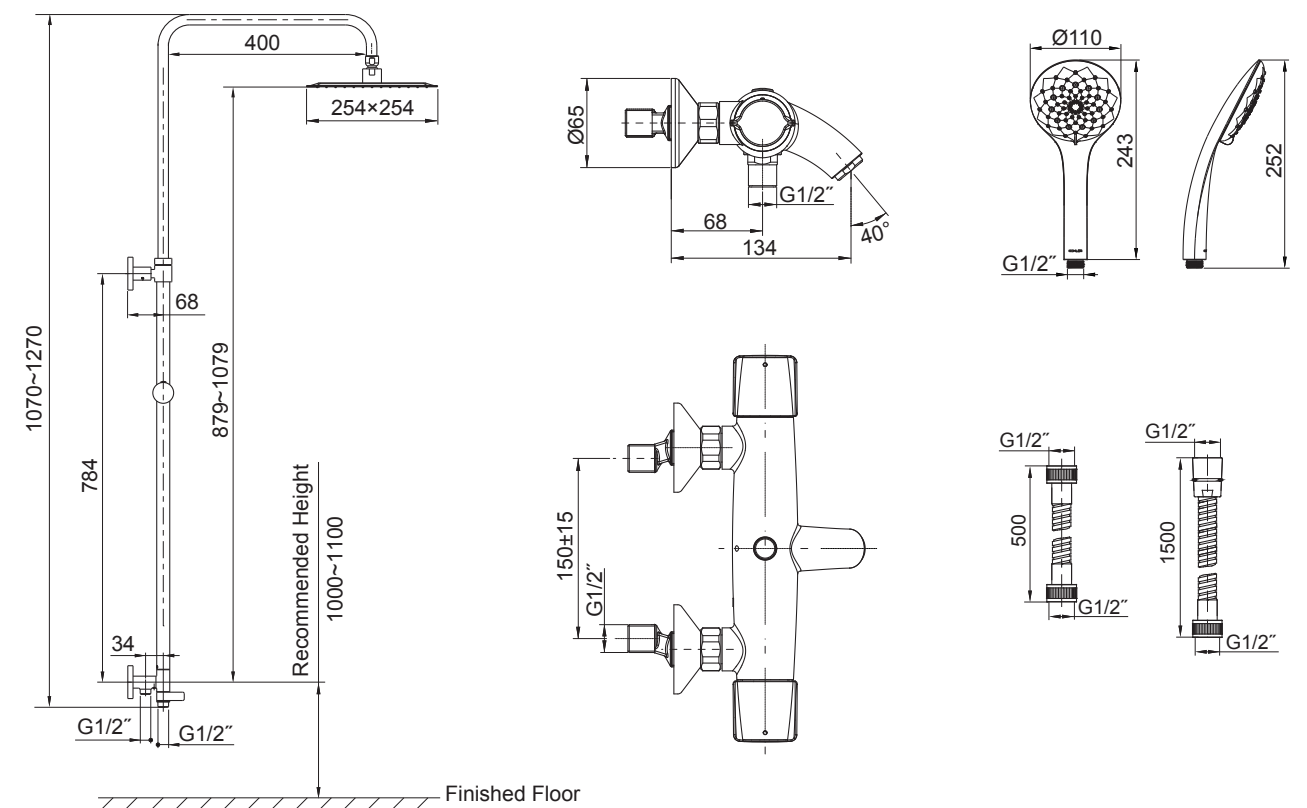
1. Shut off the water supplies to the fitting.
2. Inspect the supply tubing for damage. Replace as necessary.
3. Observe local plumbing codes.
4. The minimum inlet water pressure for diverter is 0.05MPa(0.5bar).
5. The highest working pressure for showerhead & handspray is 0.5MPa(5bar). If it exceeds 0.5MPa(5bar), a pressure reducer is needed. The highest water and environment temperature is 60°C. Please keep handspray, showerhead and the shower arm away from heater, or it may become damaged and cause injury to the user.

OPERATION INSTRUCTIONS

Left handle opens with turning clockwise. Right handle opens with turning counter-clockwise. Water flows out from spout when faucet diverter is in the normal position. Press the diverter knob, shower column works.

Turn the diverter handle counter-clockwise for handspray. Turn clockwise for showerhead.

ROUGH-IN DIMENSIONS



INSTALLATION

How to Install the Faucet

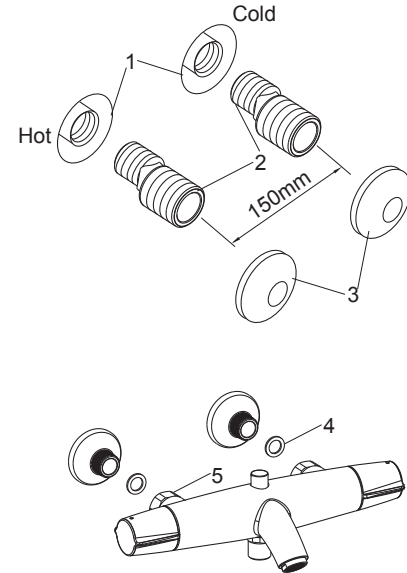
To perform installation, installer must provide G1/2" female supply fittings(1), spaced 150mm apart and horizontal. The supply fittings should be vertical and not beyond the finished wall. Hot supply pipe must be located on the left.

Flush the water supply pipes thoroughly to remove any debris.

Install the two offset connectors(2) into the hot and cold supply pipes. Use appropriate thread sealants or thread tape on pipe threads.

Adjust the center-to-center distance between the connectors to 150mm and horizontally. They should extend 29mm beyond the finished wall. Thread the escutcheons(3) onto the connectors until against the finished wall.

Put the washers(4) into the nuts(5), thread the nuts to connectors. Tighten the nuts with strap wrench or soft cloth between product and regular wrench.



How to Install the Shower Column

Select a location in vertical wall to install shower column according to rough-in dimensions.

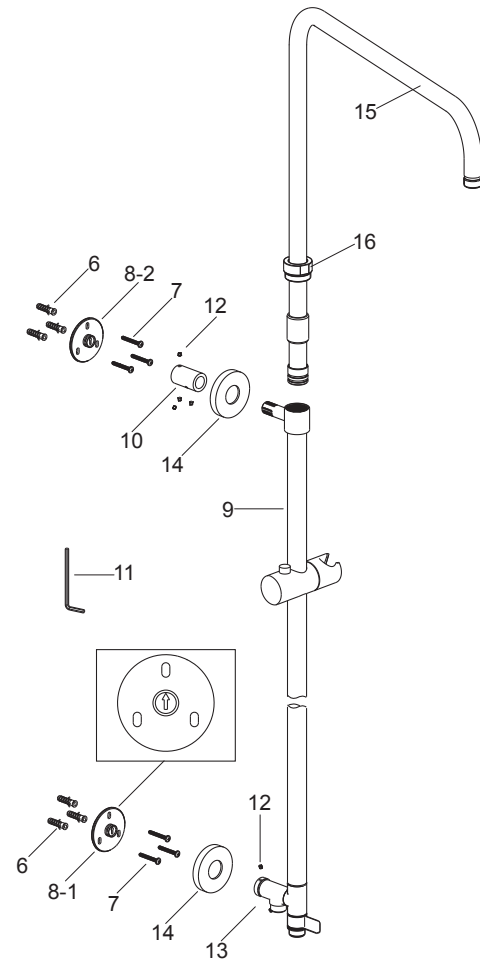
Drill the lower hole as anchors(6) diameter and lower base(8-1) position in the finished wall(**NOTE:** The arrow in the base is upward). Press anchors into the hole, secure the base by the screw(7).

Rehearse the slide bar kit(9) installation for the upper base(8-2) mounting location determination. Slide the tube joint(10) onto the slide bar kit, and connect them to the base(**NOTE:** The arrow in the base is upward). Install the screws(12) into the tube joint with the hex wrench(11), and tighten them.

Place the slide bar and the body against the finished wall. Connect the lower base and the diverter body kit(13). Position and tighten them by hex wrench. Mark the hole of upper base(8-2) with a pencil. Uninstall the slide bar kit and tube joint.(**NOTE:** Don't lose the screws.)

Drill holes on the mark. Press the anchors into the holes. Secure the upper base(8-2) by the screws. Install the tube joint(10) to the base(8-2) and tighten them by screws. Reinstall the slide bar kit with escutcheons(14) to the bases. Tighten the screws with the hex wrench. Screw the escutcheons with the bases until against the finished wall.

Install the tube kit(15) into the slide bar kit. Install the nut(16) onto the tube kit with soft cloth between internal hole of the nut and tube kit. Then screw the nut onto the slide bar kit with strap wrench or soft cloth between the nut and regular wrench.

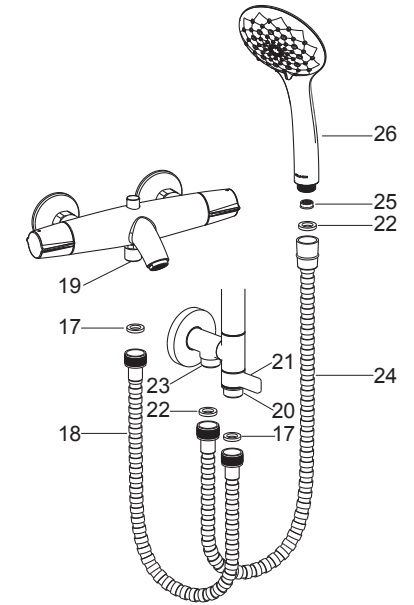


How to Install the Handspray and Hose

Tighten 500mm length hose(18) to the outlet(19) and connector(20) with two washers(17).

Turn the diverter handle(21), run hot and cold water for one minute to remove any debris.

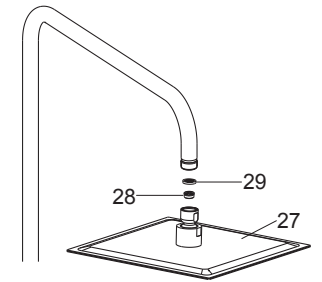
Tighten 1500mm length hose(24) to the connector(23) with filter washers(22). Put the restrictor(25) into the handspray(26) inlet if needed. Tighten the hose to the handspray with the filter washer(22).



How to Install the Showerhead

Turn the diverter handle for showerhead and run hot and cold water for one minute to remove any debris before the showerhead(27) is installed. Tighten the showerhead onto the tube kit outlet with strap wrench.

Before installation, install restrictor(28) if needed. Take out washer(29) and install restrictor as shown, reinstall the washer.

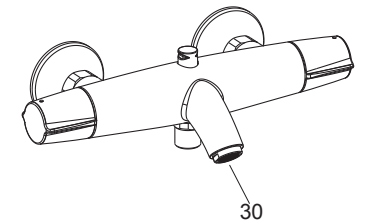


INSTALLATION CHECKOUT

Ensure that all connections are tight. Ensure that the handles are in the off position.

Turn on the drain and main water supply, and check for leaks. Repair as needed.

Remove the aerator assembly(30). Run hot and cold water through spout about one minute to remove any debris. Clean the aerator assembly. Shut off the faucet. Reinstall the aerator assembly.



CLEANING INSTRUCTIONS

All Finishes: Clean the finish with mild soap and warm water. Wipe entire surface completely dry with clean soft cloth. Many cleaners may contain chemicals, such as ammonia, chlorine, toilet cleaner etc. which could adversely affect the finish and are not recommended for cleaning.

Do not use abrasive cleaners or solvents on Kohler faucets and fittings.