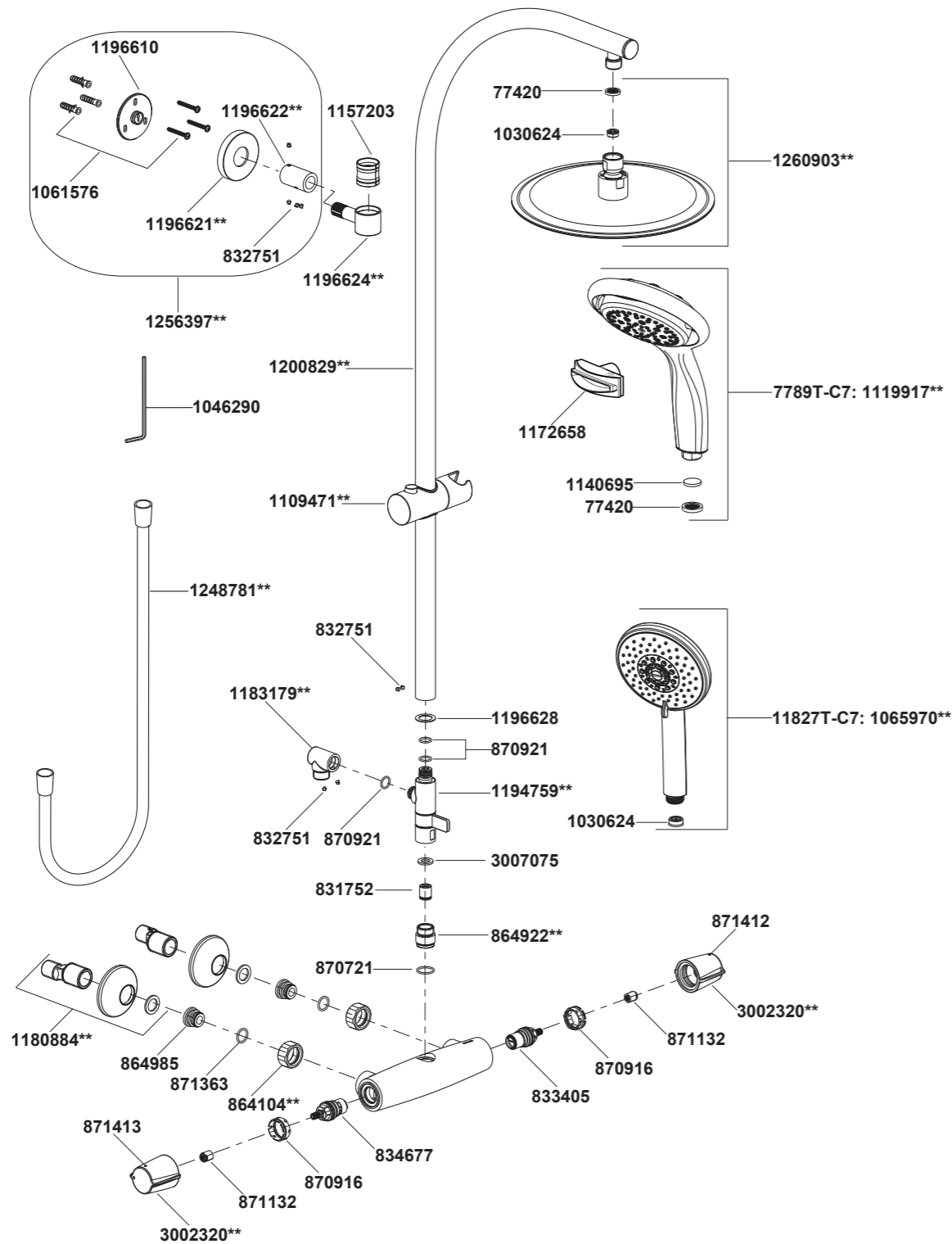


### 7789T-C7 11827T-C7 Dual Shower Column



\*\*Color code must be specified when ordering

### 7789T-C7 11827T-C7 Dual Shower Column

#### BEFORE YOU BEGIN

All information is based on the latest product information available at the time of publication. Kohler Co. reserves the right to make changes in product characteristics, packaging, or availability at any time without notice.

Please leave these instructions for the consumer. They contain important information.

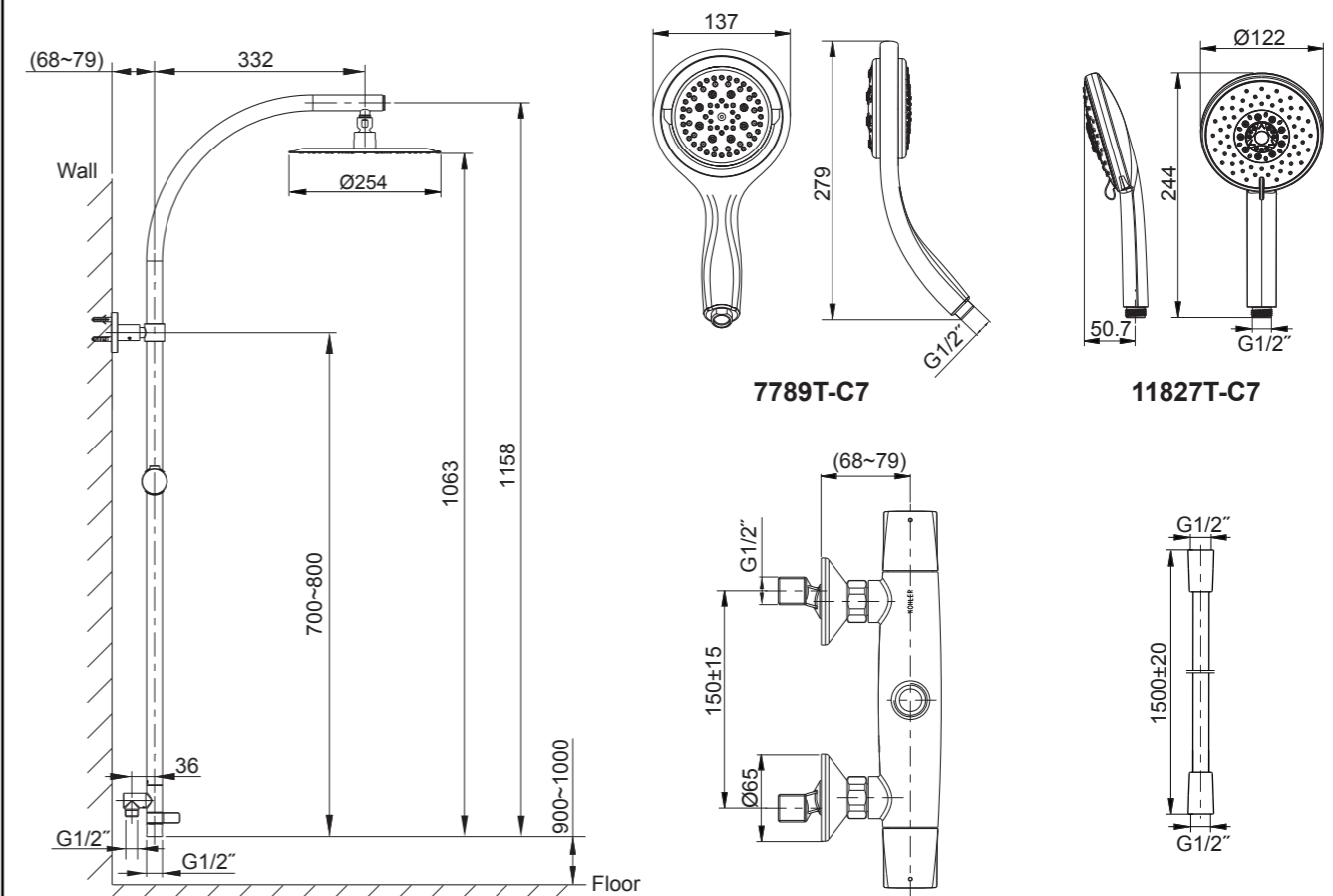
#### NOTES:

1. Shut off the water supplies to the fitting.
2. Inspect the supply tubing for damage. Replace as necessary.
3. Flush the water supply pipes thoroughly to remove debris.
4. The highest working pressure for handshower & showerhead is 0.5MPa(5bar). If it exceeds 0.5MPa(5bar), a pressure reducer is needed. The highest water and environment temperature is 60°C. Please keep handshower, showerhead and shower arm away from heater, or it may become damaged and cause injury to the user.
5. For 7789T-C7, don't remove the regulator, or will damage the handshower.

#### HANDLE OPERATION

Left handle opens with turning clockwise, right handle opens with turning counter-clockwise .  
Turn the diverter handle counter-clockwise, handshower works; turn it clockwise, showerhead works.

#### ROUGH-IN DIMENSIONS



## INSTALLATION

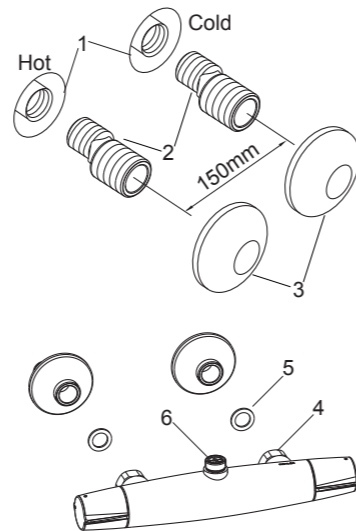
### How to Install the Faucet

To perform installation, installer must provide G1/2" female supply fittings(1), spaced 150mm apart, horizontally and vertically to the finished wall. Flush the water supply pipes thoroughly to remove debris.

Apply enough tape or suitable sealant on threads of offset connectors(2). Install the two offset connectors into the hot and cold supply pipes. Adjust the center-to-center distance between the connectors to 150mm and horizontally. They should extend 28 to 39mm beyond the finished wall.

Thread the escutcheons(3) onto the connectors until they are against the finished wall.

Put washers(5) into supply nuts(4) of the faucet. Keeping the faucet outlet(6) upwards, thread the supply nuts onto the connectors and tighten.

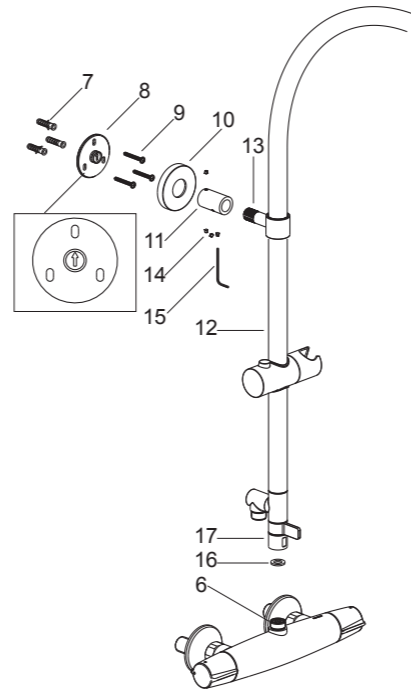


### How to Install the Shower Column

Drill hole in the finished wall according to the rough-in dimensions, diameter of the anchor(7) and the position of mounting base(8)(**Note:** Make sure the hole be up-aligned to the shower outlet, the arrow in the base is upward). Insert the anchor into the hole. Secure the mounting base by self-tapping screw(9).

Connect the supporter(13) of shower column(12) to mounting base with the tube joint(11) and escutcheon(10). Tighten the screw(14) with hex wrench(15) to secure the supporter. Screw the escutcheon until it against wall.

Put washer(16) into nut(17). Make sure the outlet of shower column faces the front. Thread the nut onto the faucet outlet(6), adjust the shower column if needed. Tighten the nut with a strap wrench.



### How to Install the Handshower

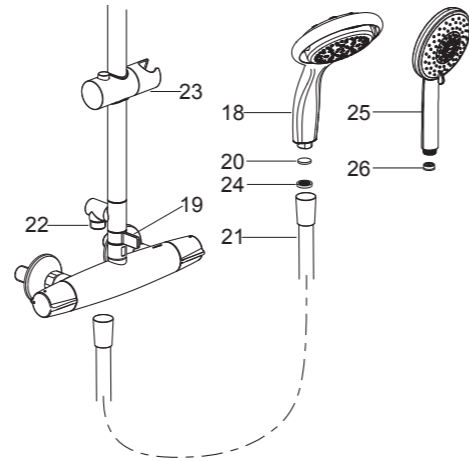
Before installation, ensure that the diverter handle(19) is in the position for handshower. Flush hot and cold water supplies to remove any debris.

#### For 7789T-C7

Don't remove the regulator of handshower(18). Remove the washer from one connector of the hose(21). Put the screen washer(24) into the shower hose connector, put the filter(20) into the handshower, screw the hand shower to the shower hose. Connect another end of shower hose to the connector(22). Tighten all the connectors. Hang the handshower on the shower bracket(23).

#### For 11827T-C7

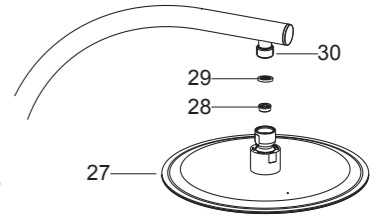
Put the regulator(26) into the handshower(25) if needed. Connect the handshower outlet(22) and handshower with hose(21). Tighten all the connectors. Hang the handshower on the shower bracket(23).



### How to Install the Showerhead

Turn the diverter handle for showerhead(27) and run hot and cold water for about one minute to remove any debris before the showerhead is installed.

Before installation, put the regulator(28) into the showerhead inlet if needed. Take out the washer(29) and install the regulator as shown, reinstall the washer. Tighten the showerhead onto the tube kit outlet(30) with strap wrench.

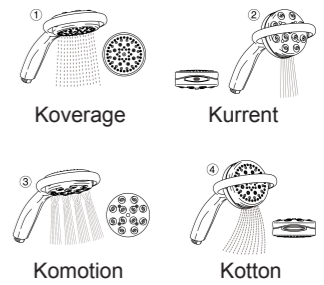


## INSTALLATION CHECKOUT

Ensure that all coupling nuts are tight. Close the valves. Turn on the main water supply, and check for leaks. Repair as needed.

## OPERATION INSTRUCTIONS(ONLY FOR 7789T-C7)

Rotate the head of the handshower to change the spray patterns as shown.

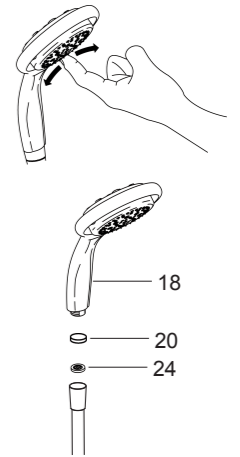


### How to Clean the Nozzles

The debris or mineral build-up may cause the flow stream to become distorted or reduce the flowrate. To remove the debris or mineral build-up, run water through the handshower, firmly press or rub your finger back and forth across the rubber nozzles.

### How to Clean the Screen Washer

Remove the handshower(18). Take out the screen washer(24) and the filter(20) from the handshower. Clean the filters of the screen washer by soaking them in warm vinegar. Clean the screen washer and filter. Reinstall the filter and screen washer into the handshower. Reinstall the handshower.

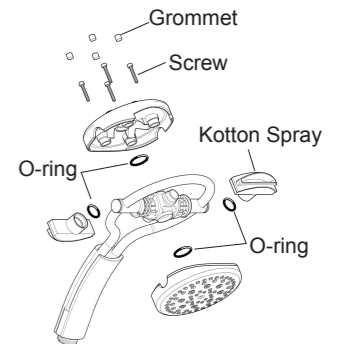


### How to Clean the Kotton Spray

Use a suitable tool to remove the four grommets. Using the 2.5mm hexagon wrench(not supplied), remove the four screws. Separate the sprayplate assembly into its individual components.

Clean the kotton spray by soaking them in warm vinegar for 30 minutes.

Reassemble the components in reverse order. **NOTE:** Make sure that the o-rings are located correctly.



## CLEANING INSTRUCTIONS

All Finishes: Clean the finish with mild soap and warm water. Wipe entire surface completely dry with clean soft cloth. Many cleaners may contain chemicals, such as ammonia, chlorine, toilet cleaner etc. which could adversely affect the finish and are not recommended for cleaning.

Do not use abrasive cleaners or solvents on Kohler faucets and fittings.