

# KOHLER®

## INSTALLATION INSTRUCTIONS

### 安装说明书

珂灵  
**ACCLIV**

Cold Water Lavatory Faucet

33059T-4CD 单冷脸盆龙头

#### 安装之前

所有的资料是按最新出版的产品资料编写而成。科勒公司保留任何时候不经通知即可改变产品特性、包装或产品可供类型的权利。

说明书包括重要的安装、保养及清洁方面的内容，请把这些资料交给用户阅读。

#### 注意事项：

1. 一定要先彻底冲洗供水管以清除管道中的杂质。
2. 尽可能在安装脸盆之前安装水龙头。
3. 检查供水管有无损坏和漏水。如需要，进行替换和维修。
4. 遵守当地管路安装条例。
5. 切断供水管路。

#### BEFORE YOU BEGIN

All information is based on the latest product information available at the time of publication. Kohler Co. reserves the right to make changes in product characteristics, packaging, or availability at any time without notice.

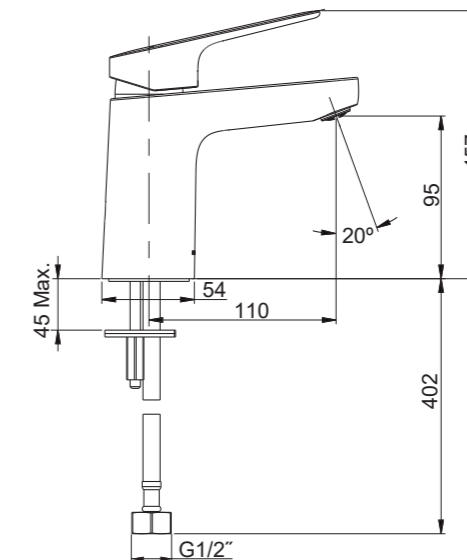
Please leave these instructions for the consumer. They contain important information.

#### NOTES:

1. Flush supply pipes thoroughly to remove debris.
2. If possible, install this faucet before installing the lavatory.
3. Inspect the supply tubing for damage and leakage. Replace and maintain as necessary.
4. Observe local plumbing codes.
5. Shut off the water supplies to the fitting.

#### 安装尺寸

#### ROUGH-IN DIMENSIONS



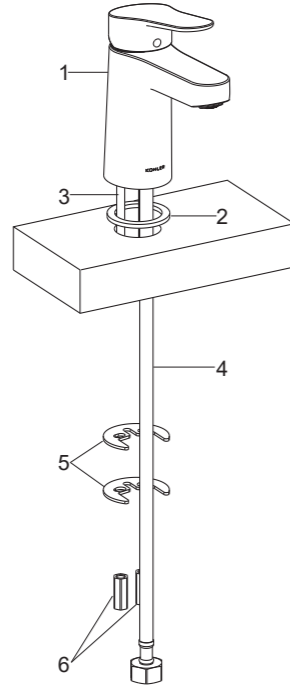
## 安装步骤

### 如何安装出水口

首先将固定螺栓(3)安装到水龙头(1)底部处，将背胶垫片(2)穿过软管(4)和固定螺栓嵌入到水龙头底部。

将水龙头组件插入到脸盆的安装孔中，调整水龙头，从脸盆下方把垫片(5，橡胶垫片放在上面)套入固定螺栓，拧紧螺母(6)以固定水龙头。

把软管接到水源。



## INSTALLATION

### How to Install the Spout

Install the mounting studs(3) onto the underside of the faucet body(1), and put the adhesive washer(2) into the bottom groove of the faucet over the hose(4) and mounting studs.

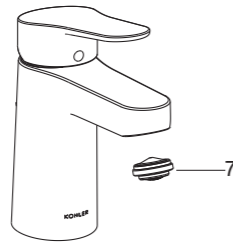
Insert the faucet assembly into the lavatory hole. Position the faucet properly. From underside, place the washers(5, Rubber washer is on the top) onto the mounting studs, and tighten nuts(6) to secure the faucet.

Attach the hose to water supply.

## 安装结果检查

检查并确保所有的衔接螺母都已拧紧，确保把手在关的位置。打开主供水源，检查并修理有漏水的接口。

用硬币拆下起泡器组件(7)。打开水龙头，让水流出约一分钟以清除杂质。冲洗起泡器组件，关闭龙头，重新装回起泡器组件。



## INSTALLATION CHECKOUT

Ensure all connections are tight. Ensure the handle is in the off position. Turn on main water supply, and check for leaks. Repair as needed.

Remove the aerator kit(7) with a coin. Turn on the faucet. Run water through spout for about one minute to remove any debris. Remove any debris from the aerator kit. Shut off the faucet. Reinstall the aerator kit.

## 清洗说明

适用于所有加工处理过的表面：以中性肥皂水清洗镀层表面，再以干净的软布彻底擦干整个表面，许多清洁剂，比如氨水、去污粉及洁厕灵等，会对电镀表面造成伤害，切忌使用。

有磨损性的清洁用具或清洁剂也不可适用于科勒牌的水龙头及其配件上。

## CLEANING INSTRUCTIONS

All Finishes: Clean the finish with mild soap and warm water. Wipe entire surface completely dry with clean soft cloth. Many cleaners may contain chemicals, such as ammonia, chlorine, toilet cleaner etc. which could adversely affect the finish and are not recommended for cleaning.

Do not use abrasive cleaners or solvents on Kohler faucets and fittings.

# KOHLER®

## SERVICE PARTS

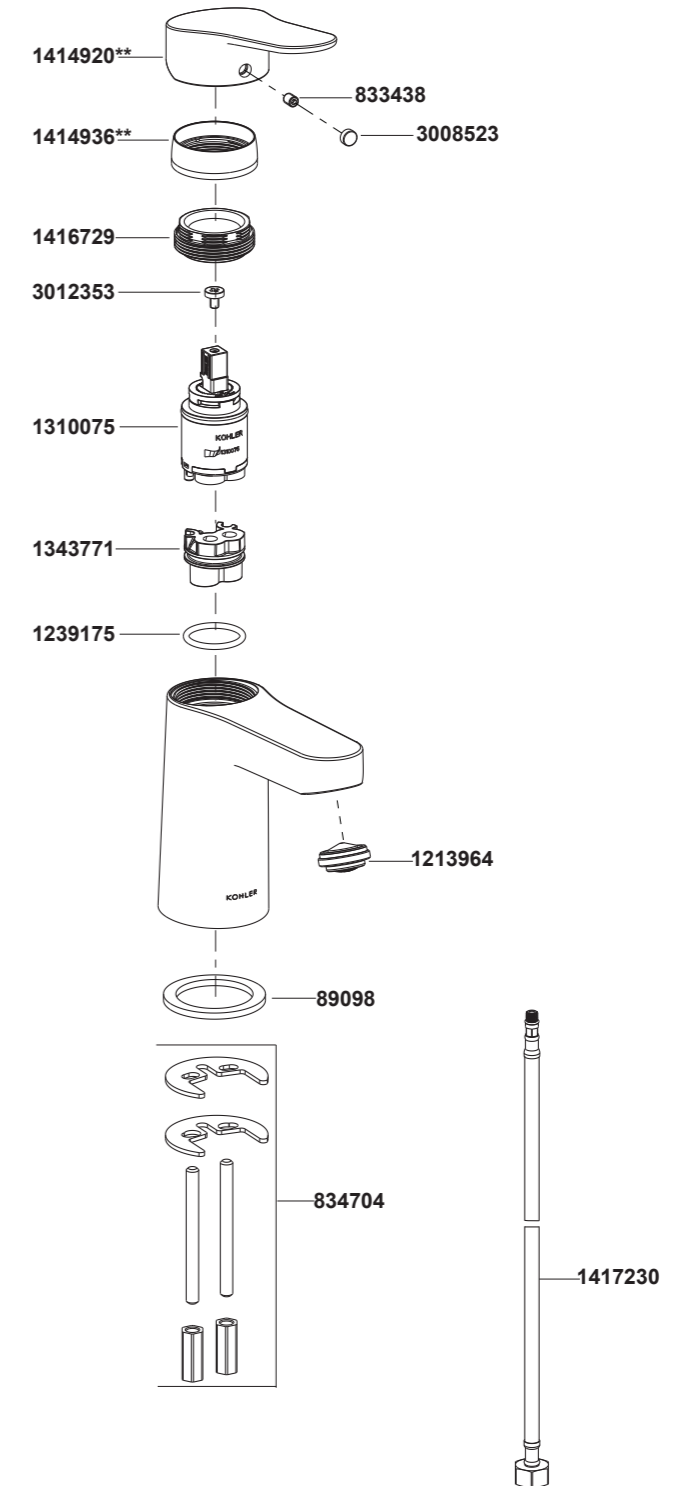
### 零件图

# 珂灵

## ACCLIV

### Cold Water Lavatory Faucet

## 33059T-4CD 单冷脸盆龙头



\*\*订购时请说明颜色编号

\*\*Color code must be specified when ordering