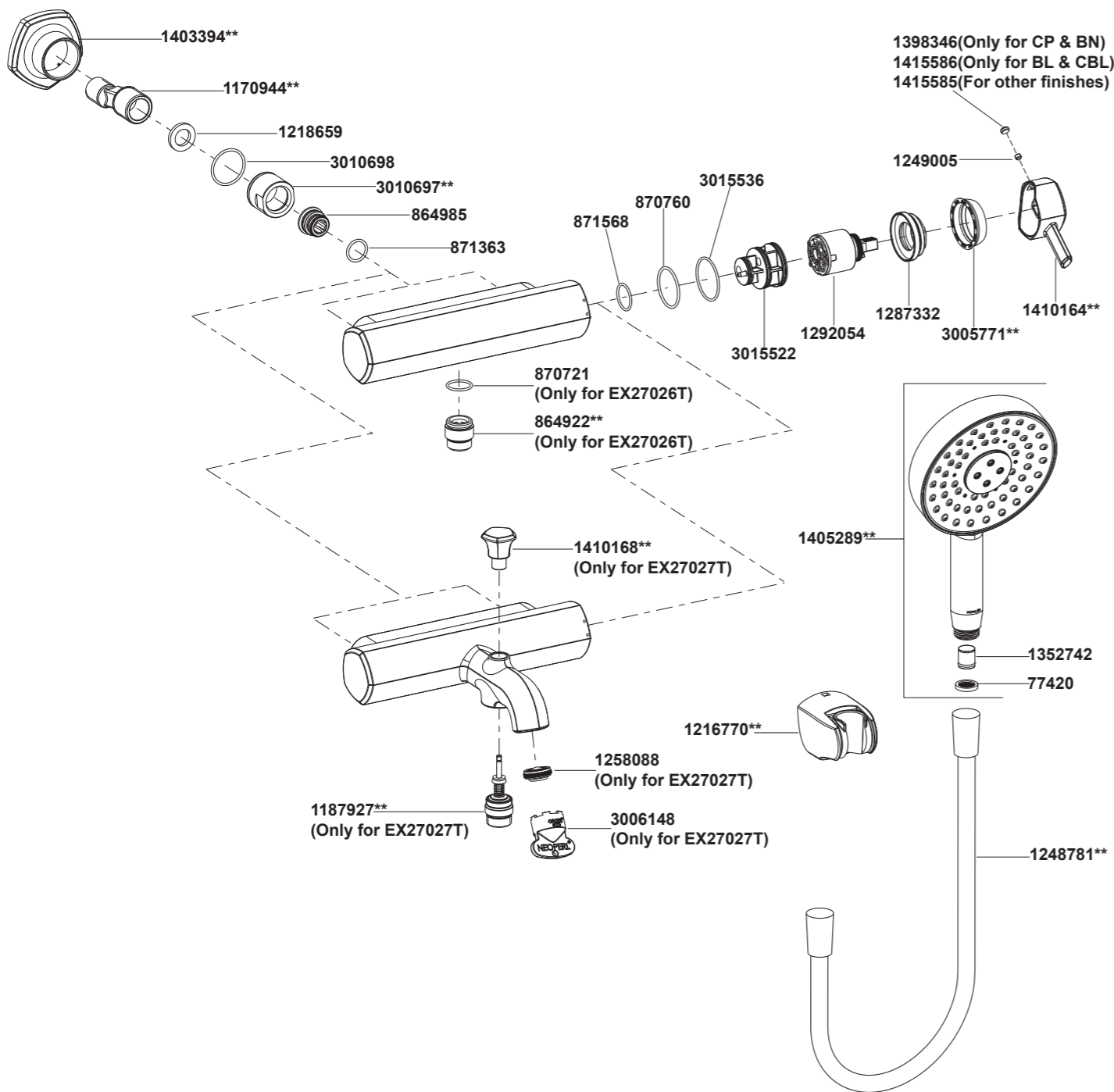


EX27026T-4E2 挂墙式花洒龙头  
EX27027T-4E2 挂墙式浴缸花洒龙头



\*\*订购时请说明颜色编号

\*\*Color code must be specified when ordering

EX27026T-4E2 挂墙式花洒龙头  
EX27027T-4E2 挂墙式浴缸花洒龙头

### 安装之前

所有的资料是按最新出版的产品资料编写而成。科勒公司保留任何时候不经通知即可改变产品特性、包装或产品可供类型的权利。

说明书包括重要的安装、保养及清洁方面的内容，请把这些资料交给用户阅读。

#### 注意事项：

1. 一定要先彻底冲洗供水管以清除管道中的杂质。
2. 检查供水管有无损坏和漏水。如需要，进行替换和维修。
3. 遵守当地管路安装条例。
4. 切换器正常工作的最小压力为0.05MPa(0.5bar)。
5. 花洒最高工作压力：0.5MPa(5bar)。水压超过0.5MPa(5bar)时必须安装减压阀。花洒最高工作温度及环境温度：60°C。请特别注意花洒同花洒连接的臂管须远离浴霸，否则可能损坏花洒及其密封件，甚至对使用者造成伤害。

### BEFORE YOU BEGIN

All information is based on the latest product information available at the time of publication. Kohler Co. reserves the right to make changes in product characteristics, packaging, or availability at any time without notice.

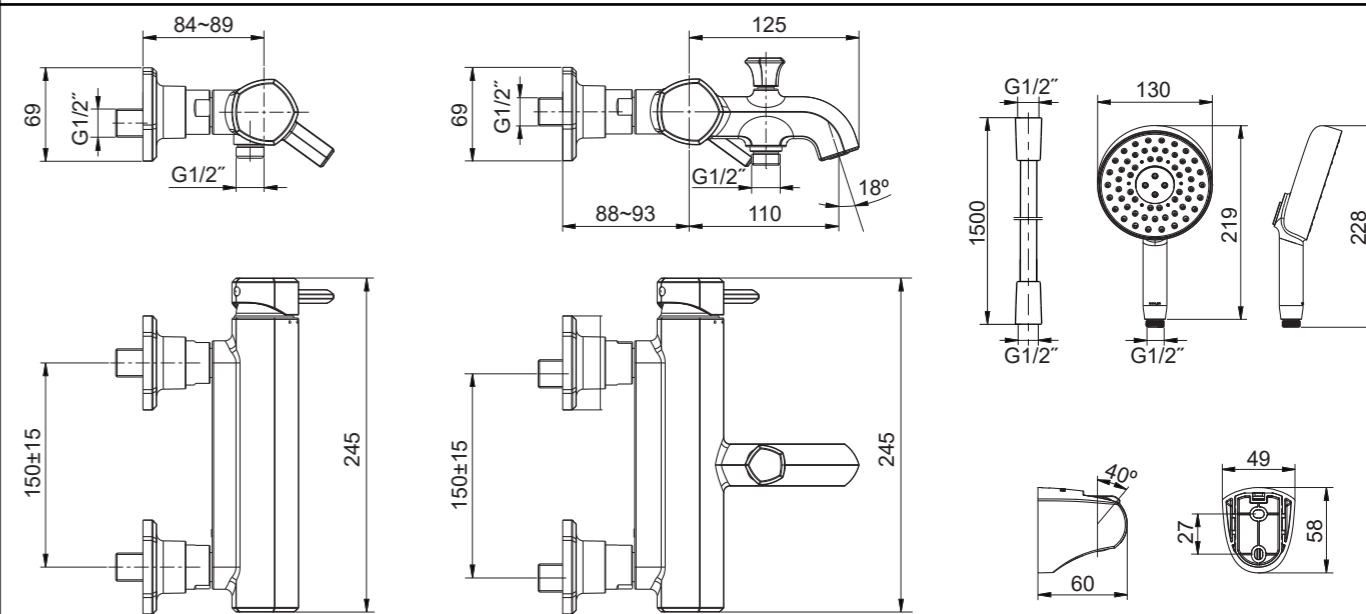
Please leave these instructions for the consumer. They contain important information.

#### NOTES:

1. Flush the water supply pipes thoroughly to remove debris.
2. Inspect the supply tubing for damage and leakage. Replace and maintain as necessary.
3. Observe local plumbing codes.
4. The minimum inlet water pressure for the diverter is 0.05MPa(0.5bar).
5. The highest working pressure for handshower is 0.5MPa(5bar). If it exceeds 0.5MPa(5bar), a pressure reducer is needed. The highest water and environment temperature is 60°C. Please keep handshower, showerhead and shower arm away from heater, or it may become damaged and cause injury to the user.

### 安装尺寸

### ROUGH-IN DIMENSIONS



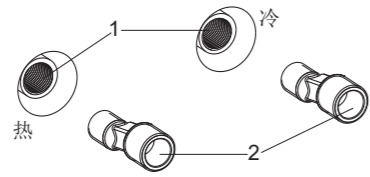
EX27026T-4E2

EX27027T-4E2

## 安装步骤

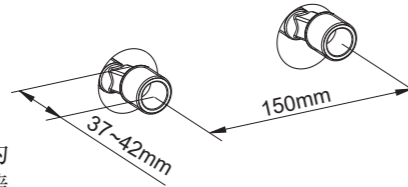
### 如何安装水龙头

为使安装顺利，G1/2"内螺纹管道配件(1)应已装好，预留150mm的间距，保持水平。管道配件要垂直并不能突出装修好的墙面。热供水管装在左边。



彻底冲洗供水管，以清除管路中的杂质。

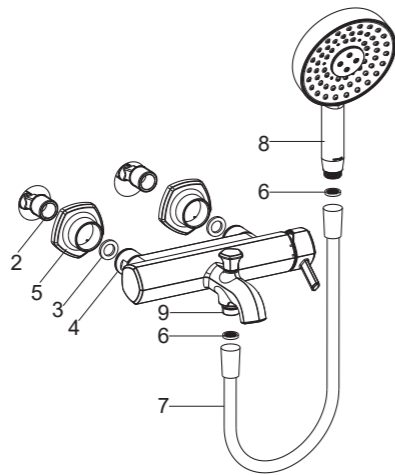
使用合适的螺纹密封膏，安装两个接头(2)到冷热供水管。



调节两个接头，使其中心距离为150mm，并保持同一水平线，凸出墙面37~42mm。

把垫片(3)放入水龙头螺母(4)内。把装饰罩(5)套在螺母上。

把螺母旋到接头(2)上并旋紧。后推装饰罩使其紧贴墙壁。**注意：**在锁紧螺母时，须用带状扳手或用软布垫在普通扳手和螺母之间，以保护镀层表面。



将垫片(6)分别装进软管(7)两端。用软管连接手持花洒(8)与龙头接头(9)。

## INSTALLATION

### How to Install the Faucet

To perform installation, installer must provide G1/2" female supply fittings(1), spaced 150mm apart and horizontally. The supply fittings should be vertical and not beyond the finished wall. Hot supply pipe must be located on the left.

Flush the water supply pipes thoroughly to remove debris.

Use appropriate thread sealants on threads of offset connectors. Install two offset connectors(2) into the HOT and COLD supply pipes.

Adjust the center-to-center distance between the connectors to 150mm horizontally. They should extend 37~42mm beyond the finished wall.

Put the washers(3) into the nuts(4). Slide the escutcheons(5) onto the nuts.

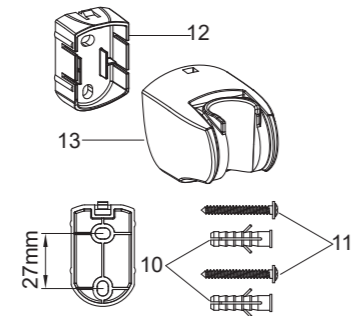
Thread the nuts to the connectors(2). Push the escutcheons until they are against the finished wall. **NOTE:** When tighten the nuts, use strap wrench or soft cloth between product and regular wrench to protect the finish.

Put the washer(6) into the hose(7). Connect the handshower(8) and faucet outlet(9) with hose.

### 如何安装托架

在墙面选一合适的位置来安装托架。

根据孔距在墙面标记钻孔的位置，依据胀塞(10)直径打孔，安装胀塞。



旋紧螺钉(11)，使底座(12，平面朝上)固定紧贴墙壁。将托架(13)扣在底座上，使凸台嵌入豁口。

把手持花洒挂在托架上。

### How to Install the Bracket

Determine a suitable location on the finished wall to install the bracket.

Mark the mounting hole locations of the bracket base on the wall according to the dimension. Drill two holes on the finished wall, the holes should match the anchors(10). Install the anchors.

Tighten the screws(11) to secure the bracket base(12, flat side upward). Put the bracket(13) onto the bracket base and locked by stopper.

Hang the handshower on the bracket.

## 安装结果检查

检查并确保所有衔接螺母都已拧紧。

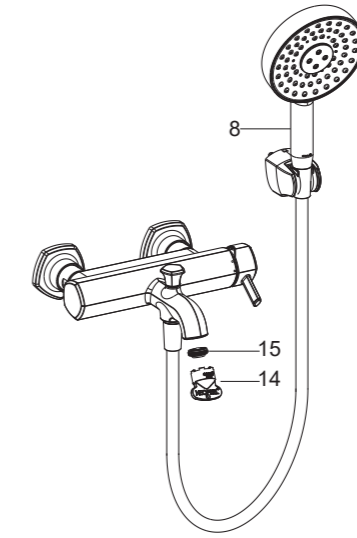
确保把手在关闭位置。

打开主供水源，检查是否有漏水。如有漏水，修理之。

仅对于EX27027T，用起泡器工具(14)拆下起泡器(15)。

取下手持花洒(8)。打开水龙头冷热水，让水流出约一分钟以清除杂质，检查渗漏。

冲洗起泡器，关闭水龙头，重新装回起泡器和手持花洒。



## 使用说明

将把手轻轻提起，顺时针转为热水，逆时针转为冷水。

对于EX27027T-4E2，龙头切换器处于正常位置时出水口出水；将切换器按钮轻轻提起，手持花洒出水。

## 清洗说明

适用于所有加工处理过的表面：以中性肥皂水清洗镀层表面，再以干净的软布彻底擦干整个表面，许多清洁剂，比如氨水、去污粉及洁厕灵等，会对电镀表面造成伤害，切忌使用。

有磨损性的清洁用具或清洁剂也不可适用于科勒牌的水龙头及其配件上。

## INSTALLATION CHECKOUT

Ensure all connections are tight.

Ensure the handle is in the off position.

Turn on the main water supply, and check for leaks. Repair as needed.

Only for EX27027T, remove the aerator (15) with key(14).

Remove the handshower(8). Turn on the faucet. Run hot and cold water through the spout for about one minute to remove any debris. Check for leaks.

Remove any debris from the aerator. Shut off the faucet. Reinstall the aerator and handshower.

## HANDLE OPERATION

Lift the handle gently. Turn clockwise for hot water, turn counter-clockwise for cold water.

For EX27027T-4E2, water flows out from spout when faucet diverter is in the normal position. Lift the diverter knob gently, handshower works.

## CLEANING INSTRUCTIONS

All Finishes: Clean the finish with mild soap and warm water. Wipe entire surface completely dry with clean soft cloth. Many cleaners may contain chemicals, such as ammonia, chlorine, toilet cleaner etc. which could adversely affect the finish and are not recommended for cleaning.

Do not use abrasive cleaners or solvents on Kohler faucets and fittings.