

#### EX27053T 墙面连接器

#### 安装之前

所有的资料是按最新出版的产品资料编写而成。科勒公司保留任何时候不经通知即可改变产品特性、包装或产品可供类型的权利。

说明书包括重要的安装、保养及清洁方面的内容，请把这些资料交给用户阅读。

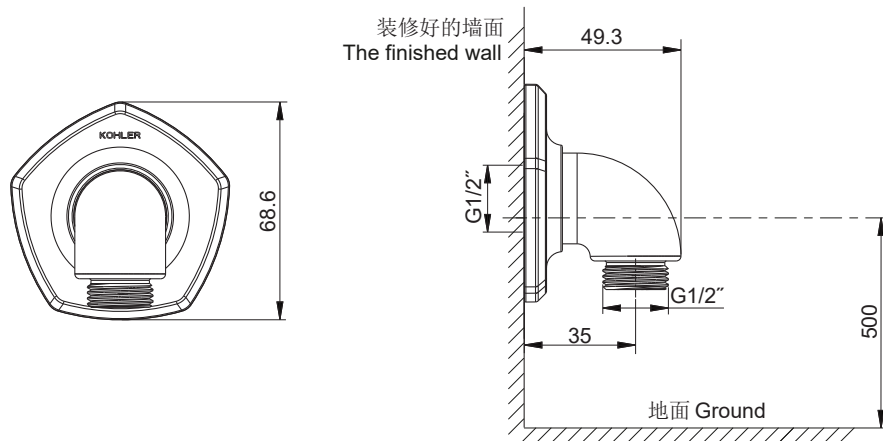
#### BEFORE YOU BEGIN

All information is based on the latest product information available at the time of publication. Kohler Co. reserves the right to make changes in product characteristics, packaging, or availability at any time without notice.

Please leave these instructions for the consumer. They contain important information.

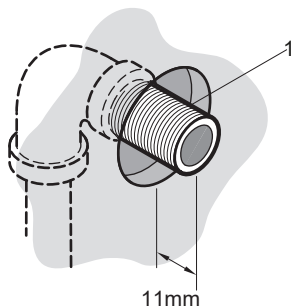
#### 安装尺寸

#### ROUGH-IN DIMENSIONS



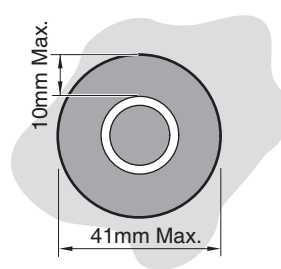
#### 安装步骤

#### INSTALLATION



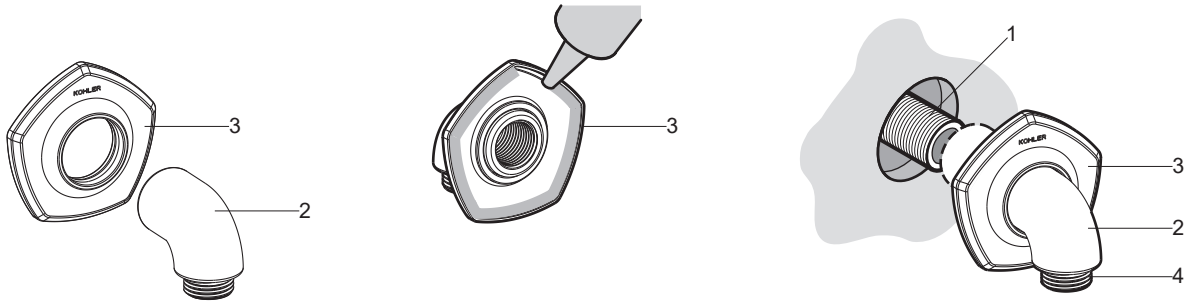
为使安装顺利，客户应自备G1/2"外螺纹接头(1)。接头露出墙外的长度为11mm。接头与装修好的墙面之间空隙最大为10mm，墙面开孔尺寸最大为41mm。

在接头螺纹上缠绕足以密封的密封胶带或涂合适的密封胶。



Before installation, installer must provide G1/2" nipple (1). The nipple should extend 11mm beyond the finished wall. Make sure the gap between the nipple and finished wall is not more than 10mm. The hole's maximum diameter is 41mm in the wall.

Apply tape or thread sealant to G1/2" threads of the nipple.



打开水源，冲水约为一分钟以清除杂质。

为便于安装，在连接器(2)和装饰罩(3)上洒点水，然后滑动连接器到装饰罩里。

在装饰罩(3)底部涂一圈密封胶，将连接器(2)和装饰罩(3)一起装到接头(1)上，调整位置使螺纹出口(4)朝向正下方并拧紧。

后推装饰罩(3)直到接触墙面。去除多余密封胶。

Flush both water supplies through the nipple for about one minute to remove debris.

To facilitate installation, sprinkle water on the elbow(2) and escutcheon(3), and then insert the elbow into the escutcheon.

Apply a ring sealants around the underside of the escutcheon(3). Install the elbow(2) and escutcheon(3) onto the nipple(1). Adjust the elbow kit and ensure the outlet(4) downwards. Tighten them by strap wrench.

Press the escutcheon until it is against the finished wall. Remove any excess sealant.

## 清洗说明

适用于所有加工处理过的表面：以中性肥皂温水清洗镀层表面，再以干净的软布彻底擦干整个表面，许多清洁剂，比如氨水、去污粉及洁厕灵等，会对电镀表面造成伤害，切忌使用。

有磨损性的清洁用具或清洁剂也不可适用于科勒牌的水龙头及其配件上。

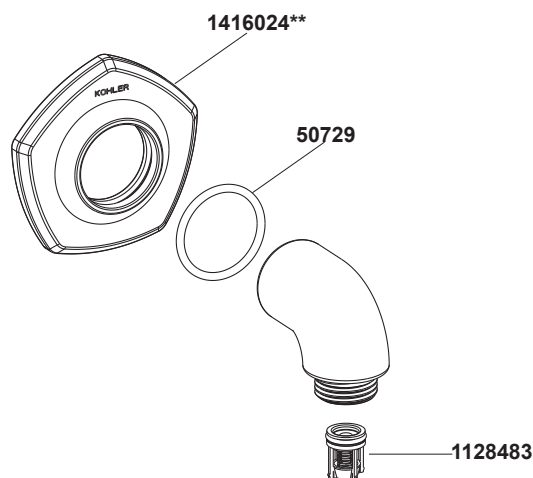
## CLEANING INSTRUCTIONS

All Finishes: Clean the finish with mild soap and warm water. Wipe entire surface completely dry with clean soft cloth. Many cleaners may contain chemicals, such as ammonia, chlorine, toilet cleaner etc. which could adversely affect the finish and are not recommended for cleaning.

Do not use abrasive cleaners or solvents on Kohler faucets and fittings.

## 零件图

## SERVICE PARTS



\*\*订购时请说明颜色编号

\*\*Color code must be specified when ordering