

### KC-1454-JA 珀特勒亚克力浴缸

#### 安装须知

安装之前请仔细阅读说明书的所有步骤。

#### 1. 安装尺寸

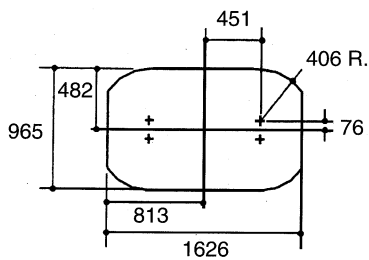
浴缸的所有尺寸为公称尺寸，符合美国国家标准 Z124.1 的允许误差。  
如果采用图示排水配件，数值将保持一致。

#### INSTALLATION NOTE

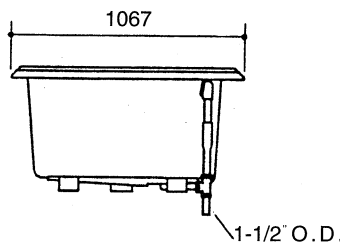
Read the entire installation instruction before beginning the installation.

#### 1. ROUGHING-INS

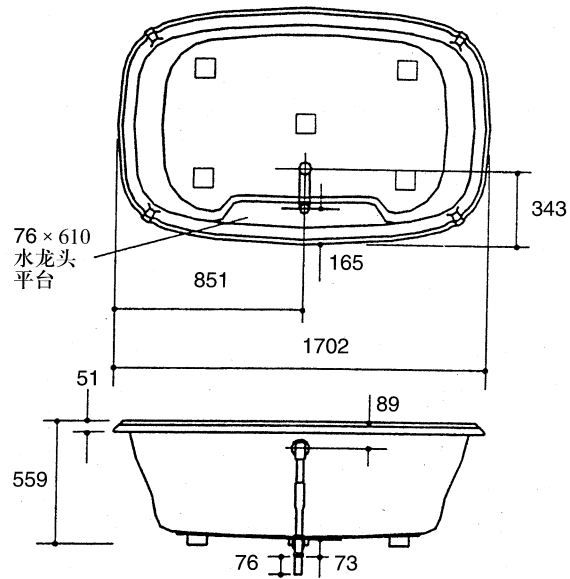
Fixture dimensions are nominal and conform to tolerances in ANSI Standard Z124.1.  
No change in measurements if connected with drain illustrated.



切口详图



单位:mm



#### 订购信息:

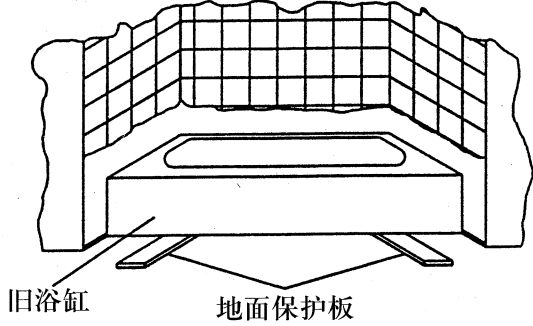
装饰 / 配件:		
排水配件	K-7161-AF	建议采用

#### 产品资料:

浴缸*:	底部	顶边	重量
面积	1270 × 737mm	1549 × 813mm	36Kg
	深度	容积	
到溢水口	406mm	379 升	
* 为比较浴缸所用的参考数值。			

上海科勒有限公司

上海市浦东星火开发区民乐路 368 号 邮编 201419

<p><b>A. 产品检查</b> 打开包装箱并检查浴缸是否损坏。施工期间将所有的材料都留在箱内，以防止损坏。</p>	<p><b>A. Product Inspection</b> Unpack and inspect bath for damage. Leave all materials in carton during construction to prevent damage</p>
<p><b>B. 连接和检修通道</b> 安装前，应保证最后的接口施工有出入通道。</p>	<p><b>B. Connections and Service Access</b> Before installation, ensure proper access to the final connections.</p>
<p><b>2. 安装要求</b></p>	
<p><b>A. 所需工具</b></p> <ul style="list-style-type: none"> <li>• 管道扳手</li> <li>• 刻度尺</li> <li>• 水平仪</li> <li>• 安全鞋</li> <li>• 安全眼镜</li> <li>• 直角尺</li> <li>• 钳子</li> <li>• 多用工具刀</li> </ul> <p><b>B. 所需材料</b></p> <ul style="list-style-type: none"> <li>• 管道用油灰</li> <li>• 墙面保护罩(如需要)</li> <li>• 密封硅胶</li> <li>• 石灰水泥(选用)</li> <li>• 建筑粘胶(选用)</li> <li>• 浴缸保护套</li> <li>• 钉子</li> </ul>	<p><b>A. Tools Required</b></p> <ul style="list-style-type: none"> <li>• Adjustable pipe wrench</li> <li>• Rule</li> <li>• Level</li> <li>• Safety shoes</li> <li>• Safety glasses</li> <li>• Square</li> <li>• Pliers</li> <li>• Utility knife</li> </ul> <p><b>B. Materials Required</b></p> <ul style="list-style-type: none"> <li>• Plumbers putty</li> <li>• Wall coverings, as necessary</li> <li>• Silicone sealant</li> <li>• Gypsum cement(optional)</li> <li>• Construction adhesive (optional)</li> <li>• Protective covering for bathtub</li> <li>• Nails</li> </ul>
<p><b>C. 预留尺寸</b> 检查安装尺寸及浴室尺寸，确保有充分的空间安装浴缸。</p>	<p><b>C. Clearance Requirements</b> Check the rough-in and room dimensions to provide adequate available space for the bath unit.</p>
<p><b>3. 场所要求</b></p>	
<p><b>A. 拆除旧浴缸</b> 在存水弯处拆下排水管。清除所有旧墙材料。在旧浴缸下面塞入护板以保护地面，并按如图所示把旧浴缸从安装空间拉出。</p> <p><b>A. Old Bath Removal</b> Disconnect the drain at the trap. Remove the old wall material. Slip boards under the old bath feet to protect the floor, and slide the old bath out of the recess as illustrated.</p>	<div style="text-align: center;">  </div>
<p><b>B. 底层地板的准备</b> 检查浴缸下的地板，若需要请进行修补。请确保底层地板水平。</p>	<p><b>B. Subfloor Preparation</b> Check the flooring under the bath, and make repairs as needed. Make sure the subfloor is level.</p>
<p><b>C. 浴缸支撑结构的准备</b> 下图所示为几种常用的支撑结构，请采用适合您的浴缸型号的结构。对不同的支撑结构方式，也许有必要进行适度调整。</p>	<p><b>C. Bath Area Construction preparation</b> Possible framing arrangements are illustrated below. Use the framing construction appropriate for your particular bath model. Some modifications may be needed for other types of construction, if preferred.</p>

下列建议适合为无裙边浴缸使用

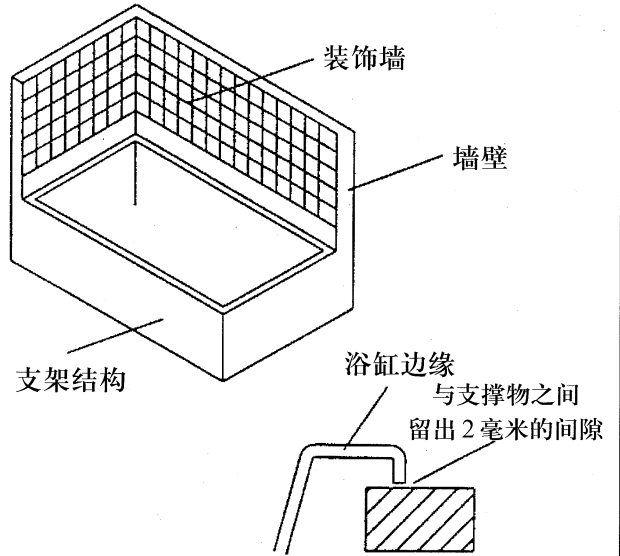
Recommended For Drop-in Models

1). 墙角安装

右图为建议的支撑结构。

1). Corner Installation

The suggested framing construction is illustrated.

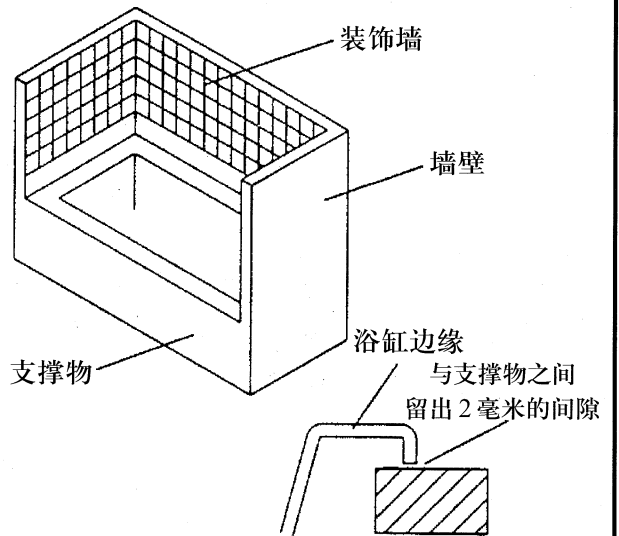


2). 三面靠墙安装

建议的三面墙环围的支撑结构如图所示。

2). Recess Installation

The suggested framing construction is illustrated.

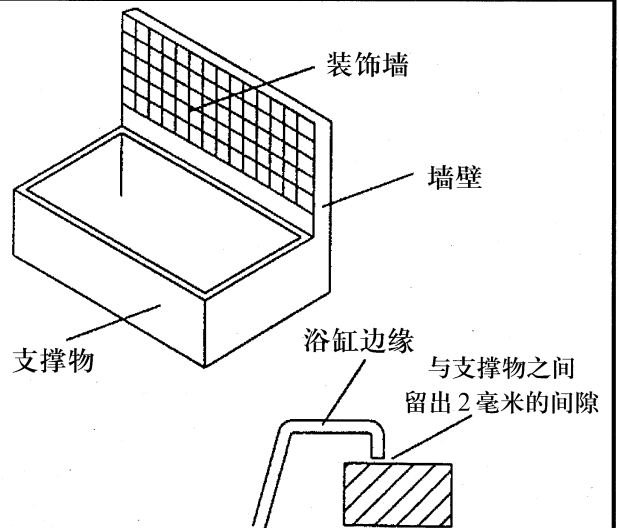


3). 单面靠墙安装

建议的单面墙支撑结构如图所示。

3). Peninsular Installation

The suggested framing construction is illustrated.



#### 4). 嵌入安装

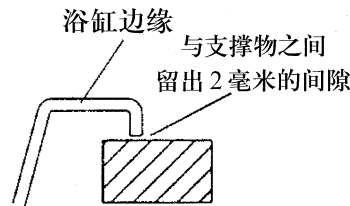
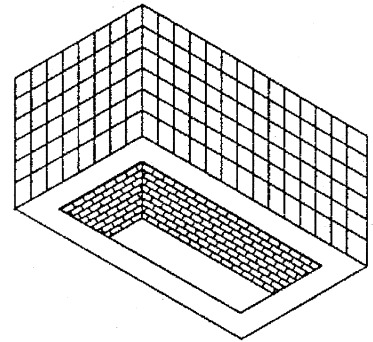
有关切割图样的细节, 请参阅第一页上的安装尺寸说明。

不要使浴缸靠边缘悬挂。

#### 4). Sunken Installation

Refer to rough-in notes on page 1 for cut-out details.

Do not hang the bath by the rim.



#### D. 管道的准备

将管道按安装尺寸安置·堵塞供水管并检查是否漏水。

#### D.Plumbing Preparation

Position the plumbing according to rough-in dimensions. Cap the supplies and check for leaks.

#### 4. 安装浴缸之前

#### 4. BEFORE INSTALLING UNIT

##### A. 局部安装浴缸的排水配件

按照厂家说明书, 把排水配件部分安装在浴缸上。

##### A.Partially Install Bath Drain

Install the drain on the bath according to the drain manufacturer's instructions.

##### B. 保护浴缸

在浴缸表面盖上保护套或类似的材料, 小心不要划伤浴缸表面。

##### B.Protect the Bath Unit

Position a protective covering or similar material in the bottom of the unit. Be careful not to scratch the bath surface.

#### 5. 安装浴缸

#### 5. INSTALL THE BATH

##### A. 放置浴缸

若底层地板没有水平, 请用垫块将浴缸支平。

注意: 不要靠边缘将浴缸悬挂。

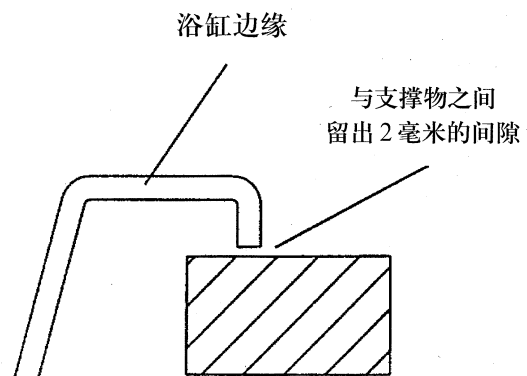
在支角和垫片上涂足够量的泥灰浆或类似材料, 将浴缸放入安装位置。确保浴缸水平放置, 并且所有重量都均匀地承载在支脚上。将排水管尾端插入存水弯。

##### A.Bath Set-In

If the subfloor is not level, some shimming/leveling of the bath will be necessary.

**NOTICE:** Do not hang the bath by the rim.

Apply a generous amount of fine construction mortar, or similar material, to the support feet and any shims used. Set the bath into the installation. Make sure the unit is level, and is resting on all support feet. Insert the drain tailpiece into the trap.



## B. 安装卫生管道

注意!! 避免损坏浴缸底部和底层地板。浴缸的所有排水接口都要确保做防渗密封。

1). 当浴缸固定到位后, 将排水管与存水弯相接。

注意: 为方便以后维修, 一定要安装一个检修门。

2). 安装水龙头阀门及喷头三通。打开冷水及热水阀门, 检查所有给水管接头是否有渗漏。

3). 让水流入浴缸, 检查排水配件接头是否有渗漏。

### B. Install Plumbing

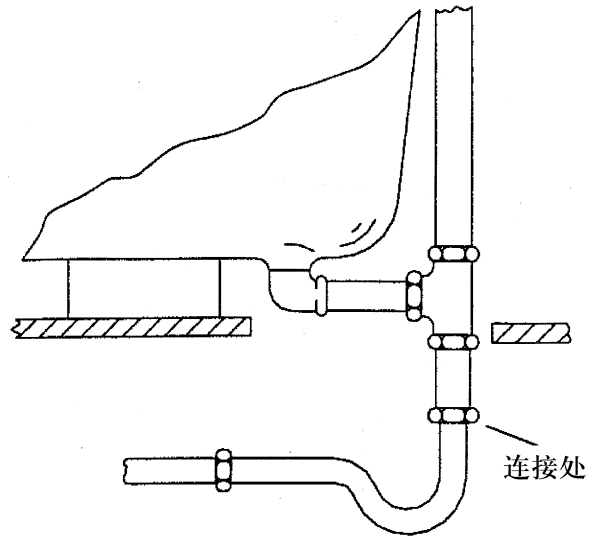
CAUTION: Risk of damage to bath bottom and subfloor. Ensure a watertight seal on the bath drain connections.

1). When the bath is securely positioned, connect the drain to the trap.

NOTE: An access panel will simplify future maintenance.

2). Install the faucet valving and spout tee. Open the hot and cold water valves, and check the supply connections for leaks.

3). Run water into the bath, and check the drain connections for leaks.



## 6. 完成墙壁装饰

## 6. COMPLETE FINISH WALL

### A. 无裙边浴缸类型

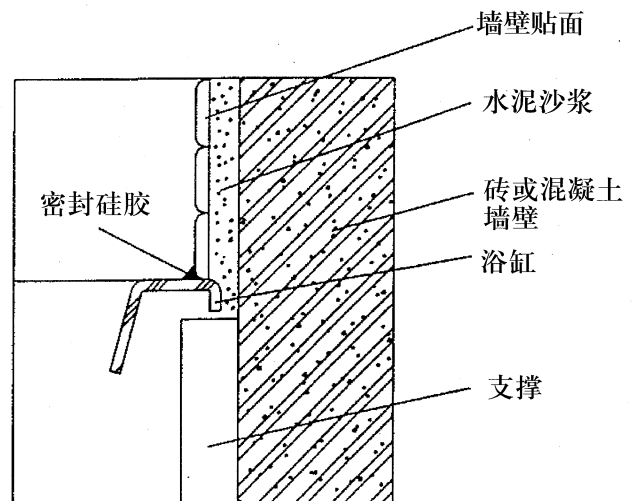
注意!! 当心损坏浴缸! 不要靠浴缸边缘支撑浴缸的重量。

1). 安装墙壁贴面 (如瓷砖或大理石)。用硅胶密封浴缸边缘和贴面的连接处。建议使用常温下硬化的密封胶。

### A. Drop-In Models:

CAUTION: Risk of product damage. Do not support the weight of the bath by the rim.

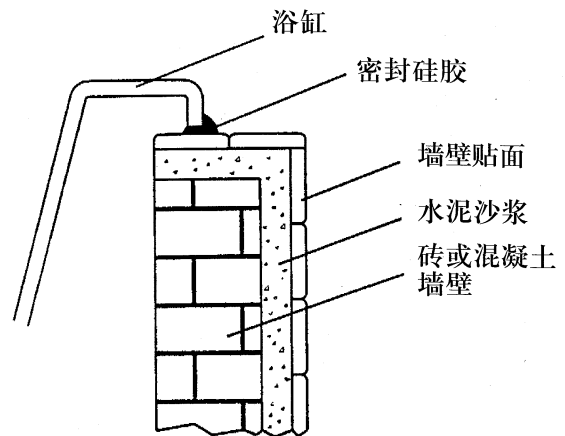
1). Install the ceramic or marble tiles. Seal the joints between the bath rim and the finished tiled wall using silicone sealant. RTV (Room Temperature Vulcanizing) sealant is recommended.



111576-2P-BA

2). 对嵌入式安装, 在敷上瓷砖或大理石贴面后, 再用硅胶密封浴缸边缘和贴面的连接处。

2). For sunken type installation, construct the ceramic or marble tiles. Seal the joints between the bath rim and the tiled wall with silicone sealant.



## 7. 完工清理

## 7. CLEAN-UP AFTER INSTALLATION

在安装完成后进行清理时, 请勿使用粗糙的清洁用具, 以免擦伤浴缸表面, 使其失去光泽。使用温水和非磨损性的液体清洁剂, 清洗浴缸表面。

When cleaning up after installation, do not use abrasive cleansers as they may scratch and dull the surface. Use warm water and liquid, non-abrasive detergent to clean the surface.

难以清除的污迹、油漆、或柏油, 可用松节油或油漆稀释剂擦净。请不要让含有汽油溶解物的清洁剂和浴缸长时间接触。滞留水泥可用薄木刀刮掉。请不要使用金属刮刀, 钢丝刷, 或其它金属工具。对残留有水泥浆, 可用湿布粘些洗衣粉, 以提供轻微的研磨作用。

Stubborn stains, paint, or tar can be removed with turpentine or paint thinner. Do not allow cleaners containing petroleum distillates to remain in contact with the bath surface for long periods of time. Plaster can be removed by scraping with wood edge. Do not use metal scrapers, wire brushes, or other metal tools. One of the powder type detergents may be used on a damp cloth to provide mild abrasive action to the residual plaster.

## 8. 重要的用户资料

## 8. IMPORTANT CONSUMER INFORMATION

### A. 用户责任

### A. Consumer responsibilities

清洗亚克力表面: 请勿在亚克力表面使用磨损性的清洁用具, 以免擦伤浴缸表面, 使其失去光泽。每次使用后, 将浴缸擦干, 以防止肥皂和污垢沉积。

Cleaning Acrylic Surfaces: Do not use abrasive cleansers on any acrylic surfaces, as they will scratch and dull the surface. Wipe out the bath after each use to prevent a build-up of soap and scum.

若亚克力表面失去光泽, 先使用汽车抛光剂, 然后再用粗腊打亮。

If the acrylic surface becomes dull, an automotive type rubbing compound may be used on the unit, followed by an application of paste wax.

## B. 售后服务

请抽出一些时间来了解科勒的担保，权益，及限制。当您需要服务帮助时，请按下列步骤联系：

第一：与产品的销售者，或安装承建者联系。他们应该能够解决您所遇到的问题。

第二：如果您的产品销售者，或安装承建者解决不了问题，他们将与科勒的经销商或技术专家联系，或提供他们的名字。

第三：如果您无法得到安装承建者或科勒的经销商的担保服务，请直接写信给：

科勒中国有限公司  
用户服务中心总部  
上海市淮海中路918号  
久事复兴大厦14楼E座  
邮编：200020

第四：请将与您申报有关的资料全部寄来，包括完整的产品名称，型号，颜色，表面处理和产品的安装日期。同时附带描述问题产生的情形，以及所涉及产品的购货发票复印件。另外，再提供您的安装承建者或经销商的名字。

## B. Requesting Service

Please take a moment to familiarize yourself with the Kohler warranty, its benefits, and limitations. Here is what you need to do if you require service:

FIRST: Contact the dealer or contractor who sold and installed the product. They should be able to solve any problems you may have.

SECOND: If your dealer or contractor cannot solve the problem, they will contact or supply you with the name of the local Kohler Distributor.

THIRD: If you are unable to obtain the warranty service through either your contractor or Kohler China Ltd. DISTRIBUTOR, please write or call us directly:  
Central Customer Service Center  
Kohler China, Ltd.  
14/E Jiu Shi Renaissance Mansion  
918 Huai Hai Road Middle. Shanghai  
Zip Code :200020

FOURTH: Include all pertinent information regarding your claim, including a complete description of the product, model numbers, colors, finishes, and the date the product was installed. Include a description of the problem, and a photocopy of your invoice for the products involved. Also give us the name of the contractor and distributor.

### C. 一年有限担保

科勒公司担保其卫浴产品及配件在制造工艺上无瑕疵。

产品在安装后的一年之内，如果在正常使用下出现缺陷，以核查后，科勒中国有限公司有权决定是修理、更换、还是作适当的调整。科勒中国有限公司将不承担安装费用。

要获得担保服务，请通过您的安装承建者，或经销商，或写信给科勒中国有限公司：

科勒中国有限公司  
用户服务中心总部  
上海市淮海中路918号  
久事复兴大厦14楼E座  
邮编：200020

这里所指的担保，包括产品，都已明确地限制在该担保期的期限之内。科勒中国有限公司对其后出现的损坏，不负有任何责任。

这是我们全部的书面担保。

### C. Limited One-Year Warranty

Kohler plumbing fixtures and fittings are warranted free of manufacturing defects.

Kohler China Limited will, at its election repair, replace, or make appropriate adjustment where Kohler China Limited inspection discloses any such defects occurring in normal usage within one year after installation. Kohler China Limited is not responsible for installation costs.

To obtain warranty service, contact Kohler China Limited either through your Dealer or Plumbing Contractor or by writing:

Central Customer Service Center  
Kohler China, Ltd.  
14/E Jiu Shi Renaissance Mansion  
918 Huai Hai Road Middle, Shanghai  
Zip Code : 200020

Implied warranties, including that of merchantability, are expressly limited in duration to the duration of this warranty. Kohler China Ltd. disclaims any responsibility for consequential damages.

This is our exclusive written warranty.

上海科勒有限公司

上海市浦东星火开发区民乐路368号 邮编 201419