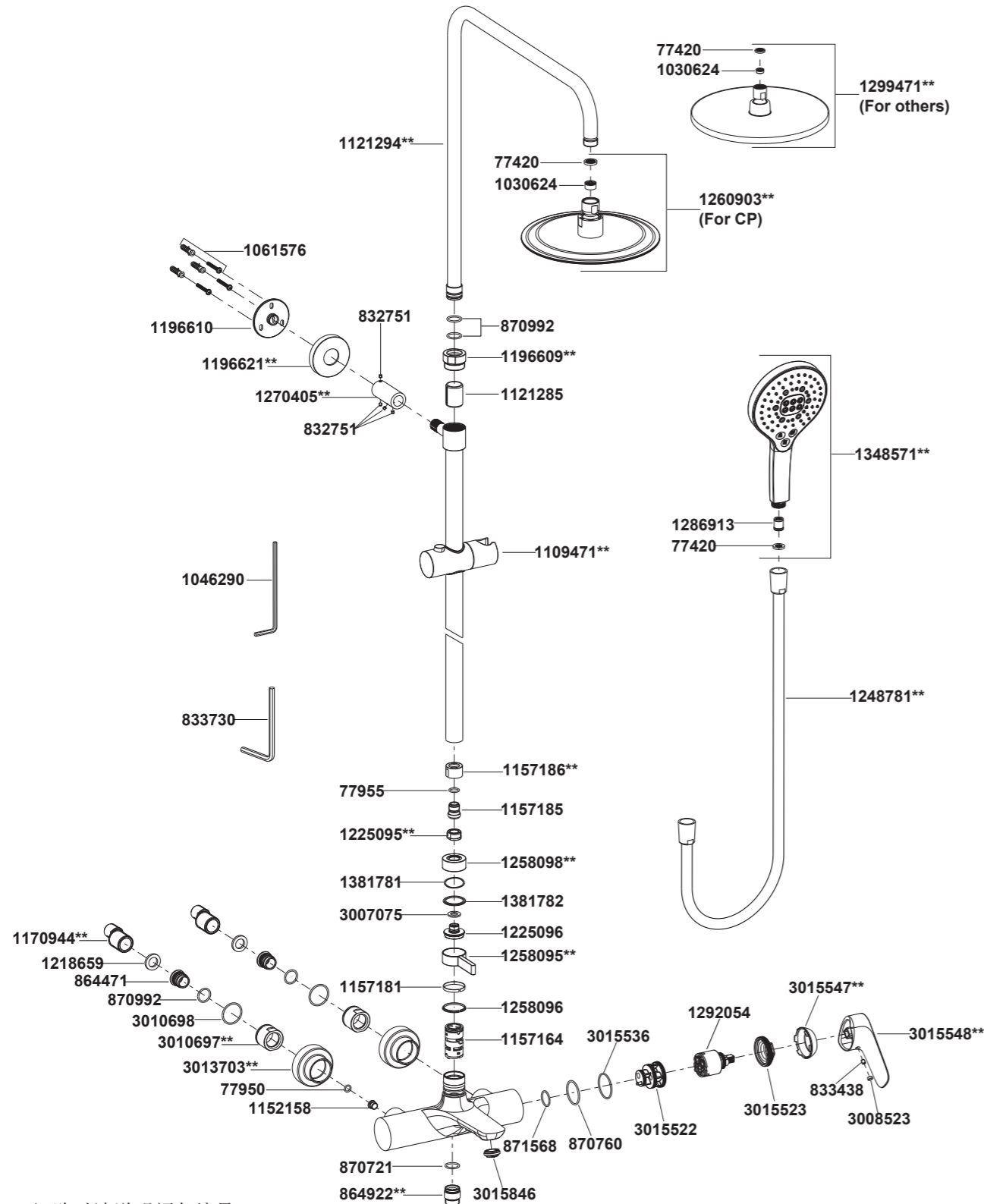


26241T-4 三出水淋浴柱-硬管连接(圆形头顶)



\*\*订购时请说明颜色编号  
\*\*Color code must be specified when ordering

26241T-4 三出水淋浴柱-硬管连接(圆形头顶)

安装之前

所有的资料是按最新出版的产品资料编写而成。科勒公司保留任何时候不经通知即可改变产品特性、包装或产品可供类型的权利。

说明书包括重要的安装、保养及清洁方面的内容，请把这些资料交给用户阅读。

注意事项：

1. 切断供水管路。
2. 检查供水管路有无损坏。如需要，进行替换。
3. 彻底冲洗供水管，以清除管路中的杂质。
4. 花洒最高工作压力：0.5MPa(5bar)。水压超过0.5MPa(5bar)时必须安装减压阀。花洒最高工作温度及环境温度：60°C。请特别注意花洒同花洒连接的臂管须远离浴霸，否则可能损坏花洒及其密封件，甚至对使用者造成伤害。

BEFORE YOU BEGIN

All information is based on the latest product information available at the time of publication. Kohler Co. reserves the right to make changes in product characteristics, packaging, or availability at any time without notice.

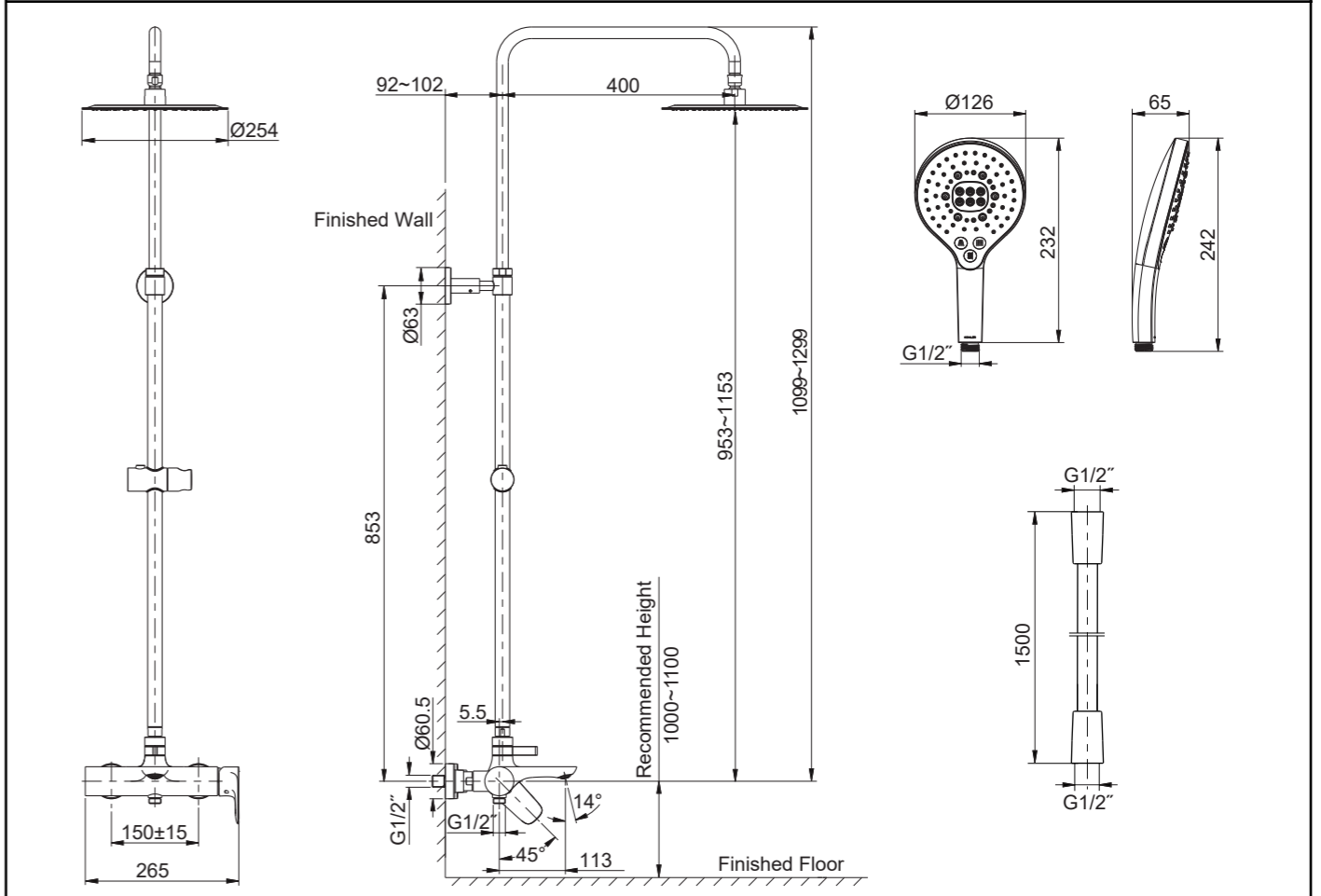
Please leave these instructions for the consumer. They contain important information.

NOTES:

1. Shut off the water supplies to the fitting.
2. Inspect the supply tubing for damage. Replace as needed.
3. Flush the water supply pipes thoroughly to remove debris.
4. The highest working pressure for handshower & showerhead is 0.5MPa(5bar). If it exceeds 0.5MPa (5bar), a pressure reducer is needed. The highest water and environment temperature is 60°C. Please keep handshower, showerhead and shower arm away from heater, or it may become damaged and cause injury to the user.

安装尺寸

ROUGH-IN DIMENSIONS



## 安装步骤

### 如何安装水龙头

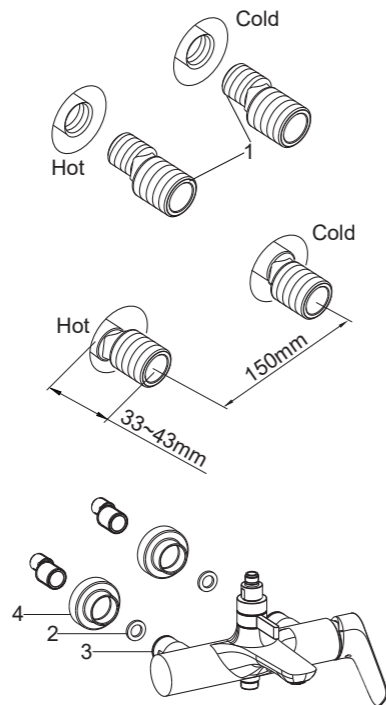
为使安装顺利，G1/2"内螺纹管道配件应已安装好，预留150mm间距，保持水平。管道配件要垂直并不能凸出装修好的墙面。热供水管装在左边。

彻底冲洗供水管，以清除管路中的杂质。

在两个接头(1)涂上密封胶或缠绕足以密封的密封胶带，旋入冷热水管中。

调节两个接头，使其中心距离为150mm，并保持同一水平。它们凸出墙面的尺寸应该在33到43mm之间。将垫片(2)放入水龙头螺母(3)内。在装饰盖(4)背面边缘涂一圈油灰，将装饰盖装到水龙头螺母上，将螺母旋到接头上。并用带状扳手拧紧。

后推装饰盖使其紧贴墙壁。去除多余油灰。



## INSTALLATION

### How to Install the Faucet

To perform installation, installer must provide G1/2" female supply fittings, spaced 150mm apart and horizontally. The supply fittings should be vertical and not beyond the finished wall. Hot supply pipe must be located on the left.

Flush the water supply pipes thoroughly to remove debris.

Use appropriate thread sealants or thread tape on the threads of offset connectors(1). Install two offset connectors into hot and cold supply pipes.

Adjust the center-to-center distance between the connectors to 150mm horizontally. They should extend 33 to 43mm beyond the finished wall. Put the washers(2) into supply nuts(3) of the faucet. Apply a ring of putty on back of the escutcheons(4). Install the escutcheons onto the supply nuts. Thread the supply nuts onto the connectors and tighten by strap wrench.

Push the escutcheons until against the finished wall. Remove any excess putty.

### How to Install the Column

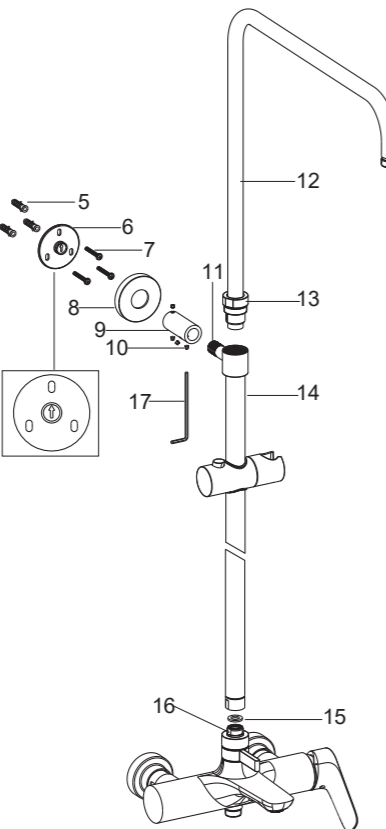
Rehearse slide bar kit(14) installation for the base(6) mounting location determination. Connect the tube joint(9) and the base(6) (Note: The arrow in the base is upward), tighten them with screws(10). Set the other end of the tube joint on the supporter(11).

Put the washer(15) onto faucet outlet(16). Connect the faucet outlet(16) and slide bar kit(14). Place the slide bar kit upright and parallel to the finished wall. Mark the holes of base with a pencil on the finished wall. Uninstall the slide bar kit and tube joint. (Note: Don't lose the screws.)

Drill holes in the finished wall according to the diameter of the anchors(5) and the position of mounting base. Insert the anchors into the holes. Secure the mounting base by self-tapping screws(7). (Note: The arrow in the base is upward).

Ensure the washer(15) on the faucet outlet. Install the tube joint(9) and escutcheon(8) onto the supporter. Connect the slide bar kit and faucet outlet. Slide the tube joint onto the base. Screw the slide bar kit onto the faucet with strap wrench or soft cloth between the nut and regular wrench. Make sure the slide bar kit is parallel to the finished wall. Tighten the screws(10) with hex wrench(17). Screw the escutcheon until it against wall.

Remove and discard the guard from the tube kit(12). Install the tube kit into the slide bar kit. Then screw the nut(13) onto the slide bar kit with strap wrench or soft cloth between the nut and regular wrench. Make sure the outlet of the tube kit faces front.



### 如何安装淋浴柱

试装滑杆组件(14)，以确定底座(6)的安装位置。将连接管(9)与底座(6)连接(注意：底座上的箭头朝上)，并用螺钉(10)锁紧。将连接管另一端套在滑杆组件接头(11)上。

将垫片(15)放到龙头出水口(16)上。连接龙头出水口(16)与滑杆组件(14)。将滑杆组件竖直放置。调整连接管，使滑杆组件平行于墙面。用铅笔在墙壁上标出底座安装孔位。分别拆下滑杆组件和连接管(注意：切勿弄丢螺钉)。

根据胀塞(5)直径在墙面上标记处打孔。放入胀塞，用自攻螺钉(7)固定底座(注意：底座上箭头朝上)。

确认垫片(15)在龙头出水口上。将连接管(9)和装饰罩(8)套在滑杆组件接头上。使滑杆组件下端与龙头出水口相连，上端的连接管套在装好的底座上。用带状扳手或用软布垫在普通扳手和螺母之间，将滑杆组件拧紧到龙头上。保持滑杆组件平行于墙面，用六角扳手(17)锁紧螺钉(10)，旋紧装饰罩直至接触墙壁。

取下弯管组件(12)的保护套并扔掉。将弯管组件装入滑杆组件，然后用带状扳手或用软布垫在普通扳手和螺母之间，将螺母(13)旋紧到滑杆组件上，保持弯管出水口朝前。

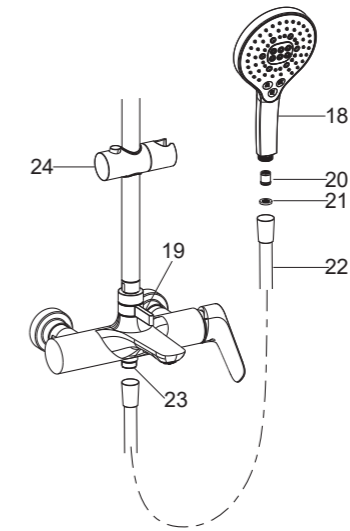
## 安装结果检查

### 如何安装手持花洒和软管

安装手持花洒(18)之前，使切换器把手(19)处于手持花洒出水位置，打开冷热水源冲掉管路中的杂质。

根据需要将单向阀(20)塞入手持花洒进水口，将垫片(21)放入软管(22)接头内，用软管连接接头(23)和手持花洒。锁紧所有衔接螺母。

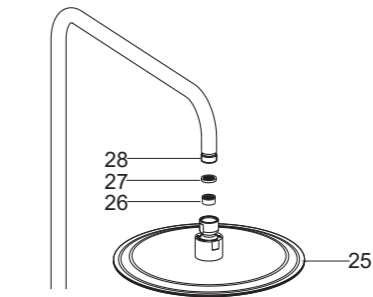
将手持花洒挂在花洒挂架(24)上。



### 如何安装头顶花洒

安装头顶花洒(25)之前，转动切换器至头顶花洒出水状态，打开冷热水源冲掉管路中的杂质。

安装头顶花洒之前，可根据需要安装限流器(26)。先取出垫片(27)，按图示方向放入限流器，再装回垫片。将头顶花洒旋到弯管组件出水口(28)上，用带状扳手锁紧。



## 安装结果检查

确定所有衔接螺母都已锁紧。确定手柄在关闭的位置。开启主水源，检查是否有漏水。如有漏水，修理之。

## 使用说明

轻轻打开把手，顺时针旋转把手为热水，逆时针旋转把手为冷水。

淋浴柱切换把手处于初始位置时头顶花洒出水；顺时针旋转淋浴柱的切换把手，手持花洒出水；逆时针旋转切换把手，浴缸出水口出水。

## 清洗说明

适用于所有加工处理过的表面：以中性肥皂水清洗镀层表面，再以干净的软布彻底擦干整个表面，许多清洁剂，比如氨水、去污粉及洁厕灵等，会对电镀表面造成伤害，切忌使用。

有磨损性的清洁用具或清洁剂也不可适用于科勒牌的水龙头及其配件上。

## INSTALLATION CHECKOUT

### How to Install the Handshower and Hose

Turn the diverter handle(19) for handshower (18) and run hot and cold water for about one minute to remove any debris before the handshower is installed.

Put the check valve(20) into the handshower if needed. Put the washer(21) into the hose(22) connector(23) and handshower with hose. Tighten all the connectors.

Hang the handshower on the bracket(24).

### How to Install the Showerhead

Turn the diverter handle for showerhead(25) and run hot and cold water for about one minute to remove any debris before the showerhead is installed.

Before installation, put the regulator(26) into the showerhead inlet if needed. Take out the washer(27) and install the regulator as shown, reinstall the washer. Tighten the showerhead onto the tube kit outlet(28) with strap wrench.

## INSTALLATION CHECKOUT

Ensure that all coupling nuts are tight. Close the valves. Turn on the main water supply, and check for leaks. Repair as needed.

## HANDLE OPERATION

Lift the handle gently. Turn clockwise for hot water, turn counter-clockwise for cold water.

Water flows out from headshower when diverter handle is in the initial position; Turn the diverter handle clockwise, handshower will work; turn it counter-clockwise, bath spout will work.

## CLEANING INSTRUCTIONS

All Finishes: Clean the finish with mild soap and warm water. Wipe entire surface completely dry with clean soft cloth. Many cleaners may contain chemicals, such as ammonia, chlorine, toilet cleaner etc. which could adversely affect the finish and are not recommended for cleaning.

Do not use abrasive cleaners or solvents on Kohler faucets and fittings.